



 **STYLE**<sup>®</sup>  
ERGONOMICS AUSTRALIA  
NSW | VIC | QLD | HONG KONG | CHINA  
SEATING SINCE 1990

# 21-22 CATALOGUE



Warranty period for chairs, lounges, acoustic screens and tables



Fully imported Chairs, lounges, tables, parts and components.



Chairs, lounges or chairs upholstered in Australia



Weight rating for individual chairs and lounges\*

AFRDI 142 Certification



ARFDI rating for multi shift use and 160kg weight limit.



Furntech is an independent not-for-profit technical organisation providing standards, testing product certification and research for buyers and sellers of furniture.



The Performance criteria adopted for certification by Furntech is based on Australian standards, e.g. Level 6 - Severe commercial and heavy industrial.\*

*\*Weight limits are self-rated by Style Ergonomic Australia. Level 6 AFRDI approved chairs are normally rated to 110kg.*



BIFMA is a third-party certification program that provides manufacturers with valuable feedback for evaluating the environmental, human, and social impacts of their furniture products for manufacturing, facility, and organisation.



All instructions of use are instructed while sitting in the chair.



# PRESTIGE TASK SEATING



P350



P350C



P350H



P350HC



P350D

# R1 TASK SEATING

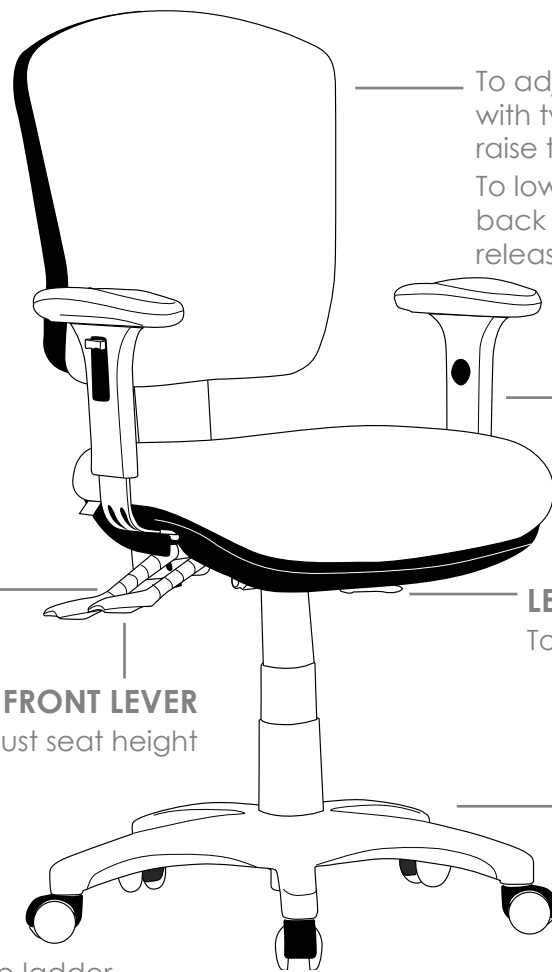
## ORIEL



### FEATURES

- » Adjustable seat height
- » Adjustable back height (ratchet)
- » Adjustable seat angle (with 3 lever mechanism only)
- » Adjustable back angle
- » Optional adjustable arms
- » Optional seat depth (seat slider) (not available on drafting chair)
- » Optional drafting kit
- » Optional 2 or 3 lever mechanism
- » Available in high and low back
- » Moulded seat and back foam
- » 600mm black nylon base
- » Available in local fabrics
- » AFRDI tested to level 6
- » Suitable for indoor use only
- » 7 year warranty
- » Weight limit is 130kg

INDOOR USE ONLY



To adjust back height hold back with two hands while seated and raise to desired height  
To lower the back height raise back all the way to the top and release slowly

OPTIONAL ADJUSTABLE ARMS

RIGHT BACK LEVER

To adjust back angle

LEFT LEVER

To adjust seat angle

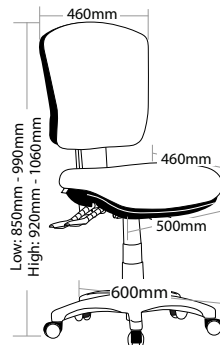
RIGHT FRONT LEVER

To adjust seat height

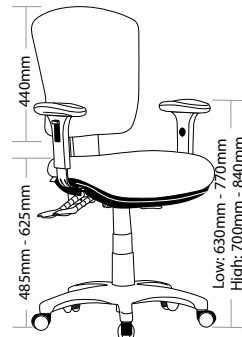
600MM BLACK NYLON 5 STAR BASE WITH CASTORS

Use soft tyred castors for tiles  
Use hard tyred castors for carpet

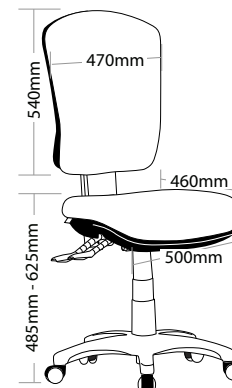
Do not use as a step ladder



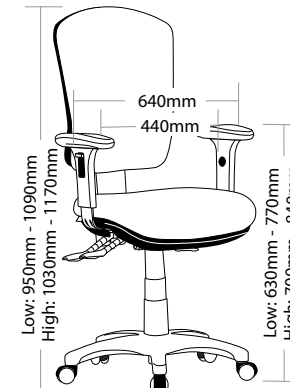
OR350



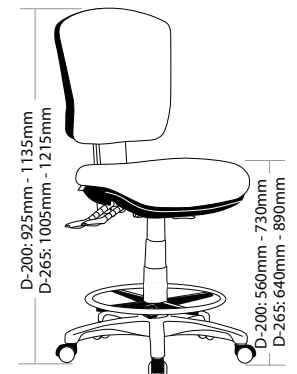
OR350C



OR350H



OR350HC



OR350D

# **ORIEL** TASK SEATING



OR350



OR350C



OR350H



OR350HC



OR350D



# R1 TASK SEATING

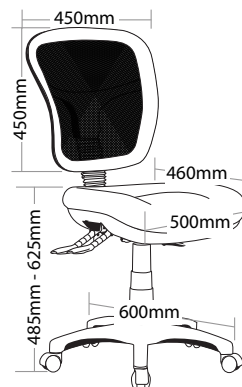
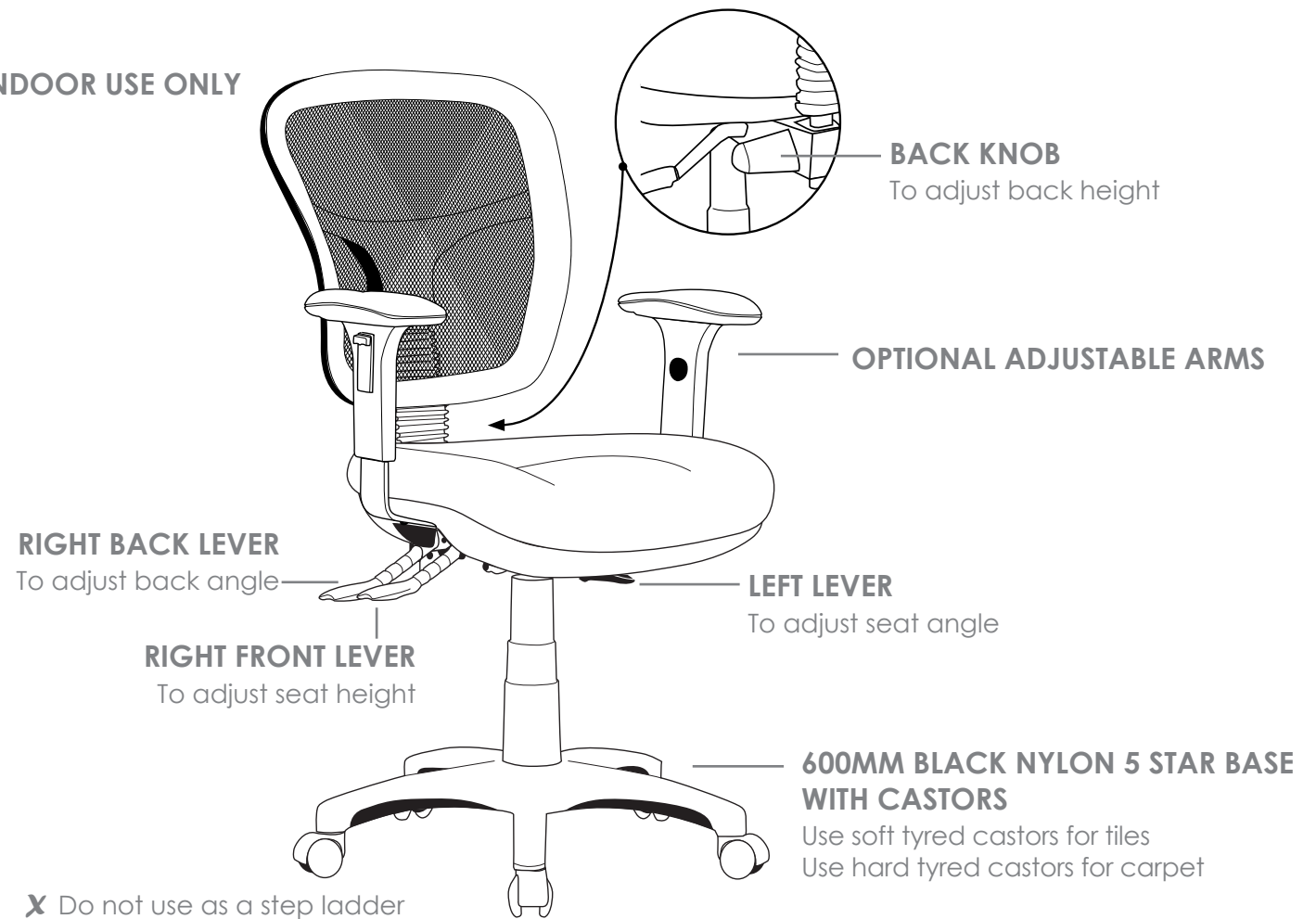
## ECOTECH MESH



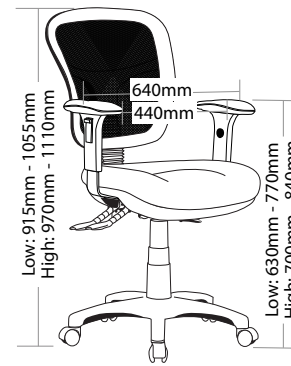
### FEATURES

- » Adjustable seat height
- » Adjustable back height
- » Adjustable seat angle (with 3 lever mechanism only)
- » Adjustable back angle
- » Optional adjustable arms
- » Optional seat depth (seat slider) (not available on drafting chair)
- » Optional drafting kit
- » Optional 2 or 3 lever mechanism
- » Moulded seat foam
- » Mesh back
- » 600mm black nylon base
- » Available in local fabrics
- » Suitable for indoor use only
- » 7 year warranty
- » Weight limit is 130kg

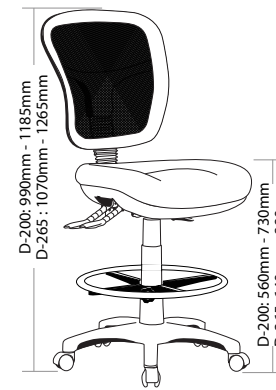
INDOOR USE ONLY



ME350



ME350C



ME350D

# ECOTECH MESH TASK SEATING



ME350



ME350C



ME350D



# R1 TASK SEATING

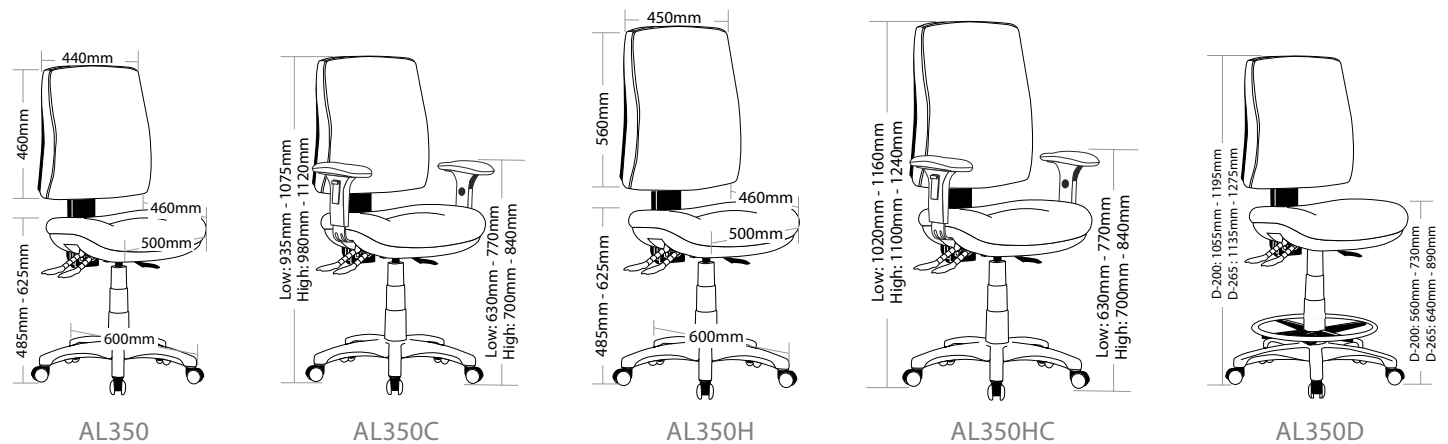
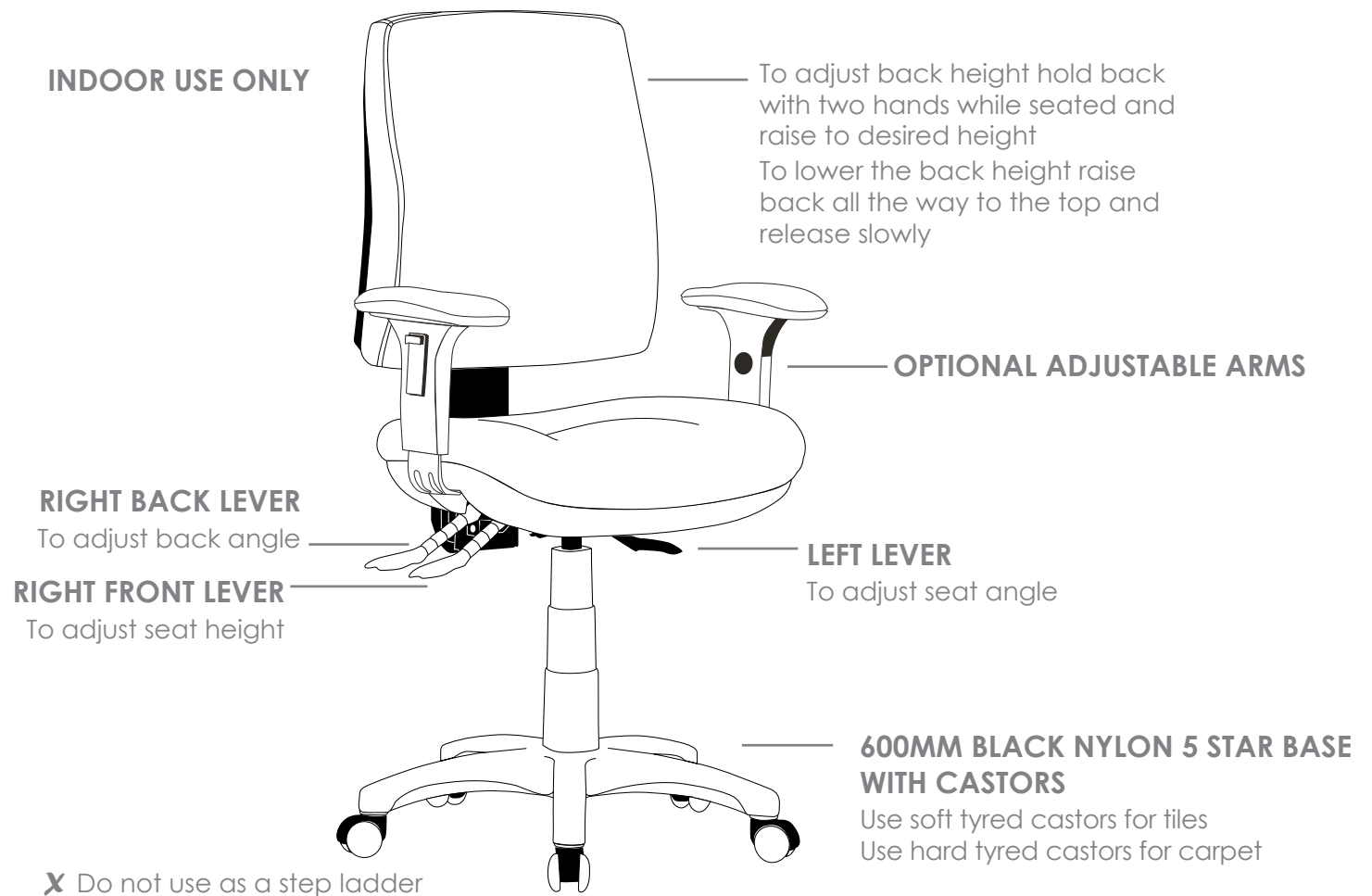
## ALPHA



### FEATURES

- » Adjustable seat height
- » Adjustable back height (ratchet)
- » Adjustable seat angle (with 3 lever mechanism only)
- » Adjustable back angle
- » Optional adjustable arms
- » Optional seat depth (seat slider) (not available on drafting chair)
- » Optional drafting kit
- » Optional 2 or 3 lever mechanism
- » Available in high and low back
- » Moulded seat and back foam
- » 600mm black nylon base
- » Available in local fabrics
- » AFRDI tested to level 6
- » Suitable for indoor use only
- » 7 year warranty
- » Weight limit is 130kg

### INDOOR USE ONLY



# ALPHA TASK SEATING



AL350



AL350C



AL350H



AL350HC



AL350D

# R1 TASK SEATING

## VIRGO



### FEATURES

- » Adjustable seat height
- » Adjustable back height (ratchet)
- » Adjustable seat angle (with 3 lever mechanism only)
- » Adjustable back angle
- » Optional adjustable arms
- » Optional seat depth (seat slider) (not available on drafting chair)
- » Optional drafting kit
- » Optional 2 or 3 lever mechanism
- » Available in high and low back
- » Moulded seat and back foam
- » Square seat
- » 660mm black nylon base
- » Available in local fabrics
- » AFRDI tested to level 6
- » Suitable for indoor use only
- » 7 year warranty
- » Weight limit is 130kg

INDOOR USE ONLY

RIGHT BACK LEVER

To adjust back angle

RIGHT FRONT LEVER

To adjust seat height

To adjust back height hold back with two hands while seated and raise to desired height

To lower the back height raise back all the way to the top and release slowly

OPTIONAL ADJUSTABLE ARMS

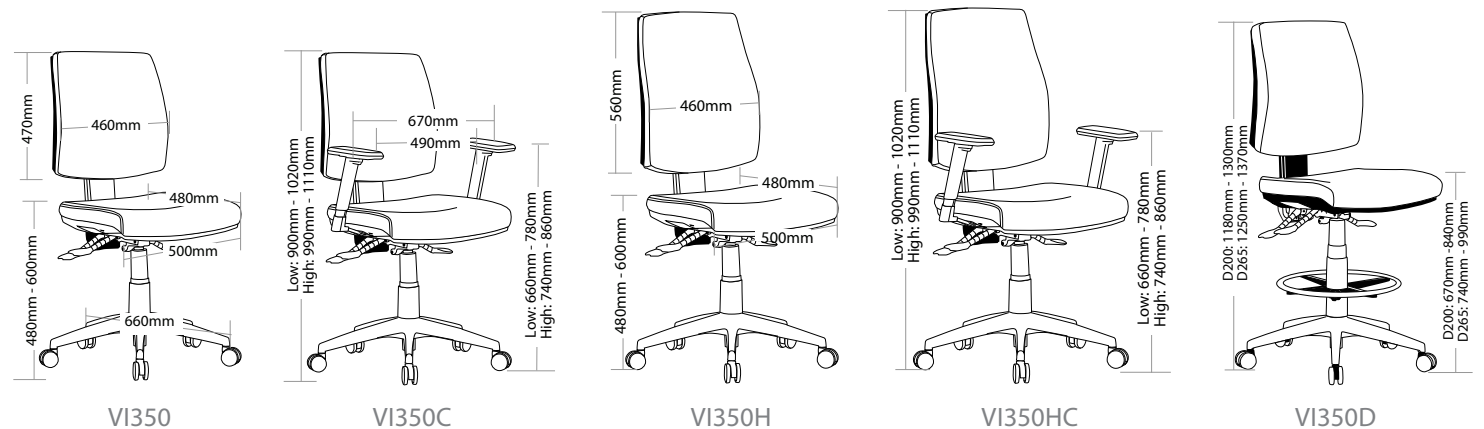
LEFT LEVER

To adjust seat angle

660MM BLACK NYLON 5 STAR BASE WITH CASTORS

Use soft tyred castors for tiles  
Use hard tyred castors for carpet

Do not use as a step ladder



# VIRGO TASK SEATING



VI350



VI350C



VI350H



VI350HC



VI350D

# R1 TASK SEATING

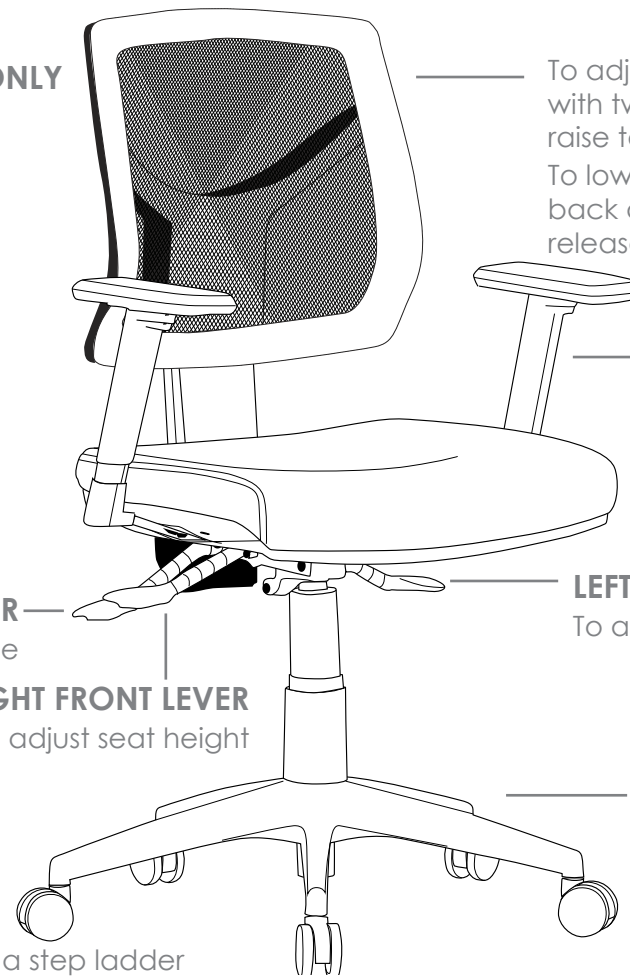
## VESTA



### FEATURES

- » Adjustable seat height
- » Adjustable back height (ratchet)
- » Adjustable seat angle (with 3 lever mechanism only)
- » Adjustable back angle
- » Optional adjustable arms
- » Optional seat depth (seat slider) (not available on drafting chair)
- » Optional drafting kit
- » Optional 2 or 3 lever mechanism
- » Available in high and low back
- » Moulded seat foam
- » Mesh back
- » Square seat
- » 660mm black nylon base
- » Available in local fabrics
- » Back mesh available in Jazz mesh
- » AFRDI tested to level 6
- » Suitable for indoor use only
- » 7 year warranty
- » Weight limit is 130kg

INDOOR USE ONLY



To adjust back height hold back with two hands while seated and raise to desired height  
To lower the back height raise back all the way to the top and release slowly

OPTIONAL ADJUSTABLE ARMS

**RIGHT BACK LEVER**  
To adjust back angle

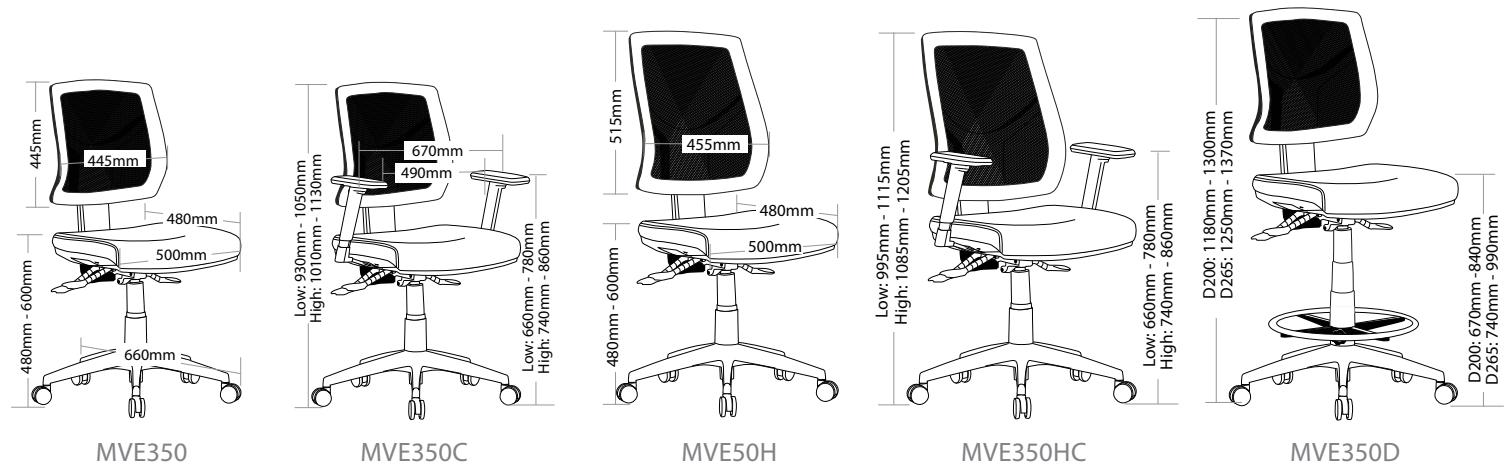
**LEFT LEVER**  
To adjust seat angle

**RIGHT FRONT LEVER**  
To adjust seat height

**660MM BLACK NYLON 5 STAR BASE WITH CASTORS**

Use soft tyred castors for tiles  
Use hard tyred castors for carpet

**X** Do not use as a step ladder



# VESTA TASK SEATING



MVE350



MVE350C



MVE350H



MVE350HC



MVE350D





# AVOCA TASK SEATING



MAV350



MAV350C



MAV350H



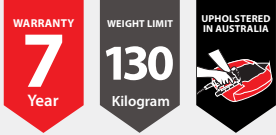
MAV350HC



MAV350D

# R1 TASK SEATING

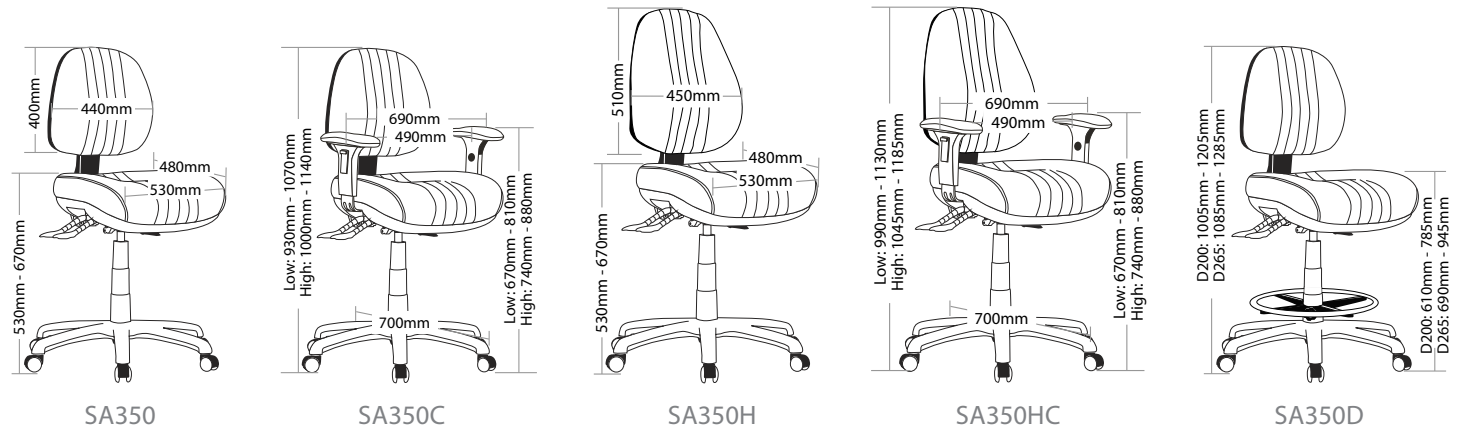
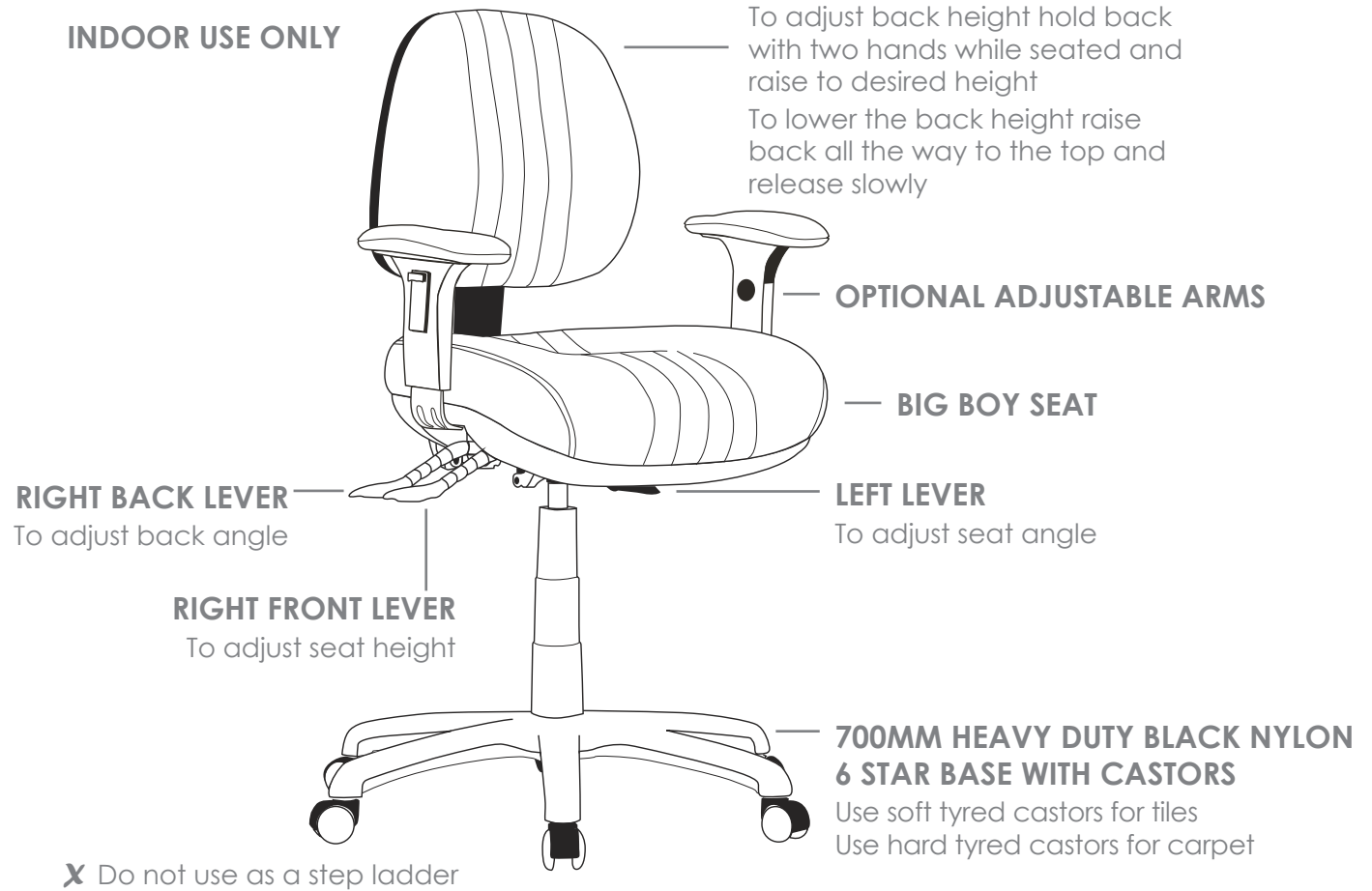
## SAFARI



### FEATURES

- » Adjustable seat height
- » Adjustable back height (ratchet)
- » Adjustable seat angle (with 3 lever mechanism only)
- » Adjustable back angle
- » Optional adjustable arms
- » Optional seat depth (seat slider) (not available on drafting chair)
- » Optional drafting kit
- » Optional 2 or 3 lever mechanism
- » Available in high and low back
- » Moulded seat and back foam
- » Big boy seat
- » Firm kidney and lumbar support
- » 700mm heavy duty 6 star black nylon base
- » Available in local fabrics
- » Suitable for indoor use only
- » 7 year warranty
- » Weight limit is 130kg

INDOOR USE ONLY



# SAFARI TASK SEATING



SA350

SA350C

SA350H

SA350HC

SA350D

# R1 TASK SEATING

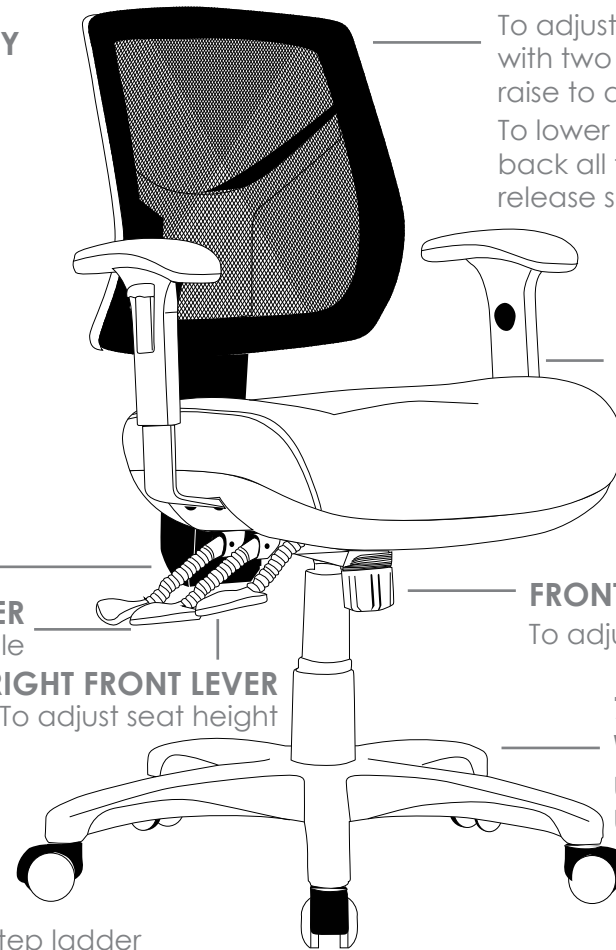
## CHELSEA



### FEATURES

- » Adjustable seat height
- » Adjustable back height (ratchet)
- » Adjustable back and seat angle
- » Adjustable weight tension
- » Optional adjustable arms
- » Optional seat depth (seat slider) (not available on drafting chair)
- » Optional drafting kit
- » Available in high and low back
- » Moulded seat foam
- » Mesh back
- » Big boy seat
- » 3 lever ergonomic heavy duty mechanism
- » 700mm black nylon base
- » Available in local fabrics
- » Back mesh available in Jazz mesh
- » AFRDI tested to level 6
- » Suitable for indoor use only
- » 7 year warranty
- » Weight limit is 140kg

INDOOR USE ONLY



To adjust back height hold back with two hands while seated and raise to desired height  
To lower the back height raise back all the way to the top and release slowly

OPTIONAL ADJUSTABLE ARMS

RIGHT BACK LEVER

To adjust back angle

RIGHT MIDDLE LEVER

To adjust seat angle

RIGHT FRONT LEVER

To adjust seat height

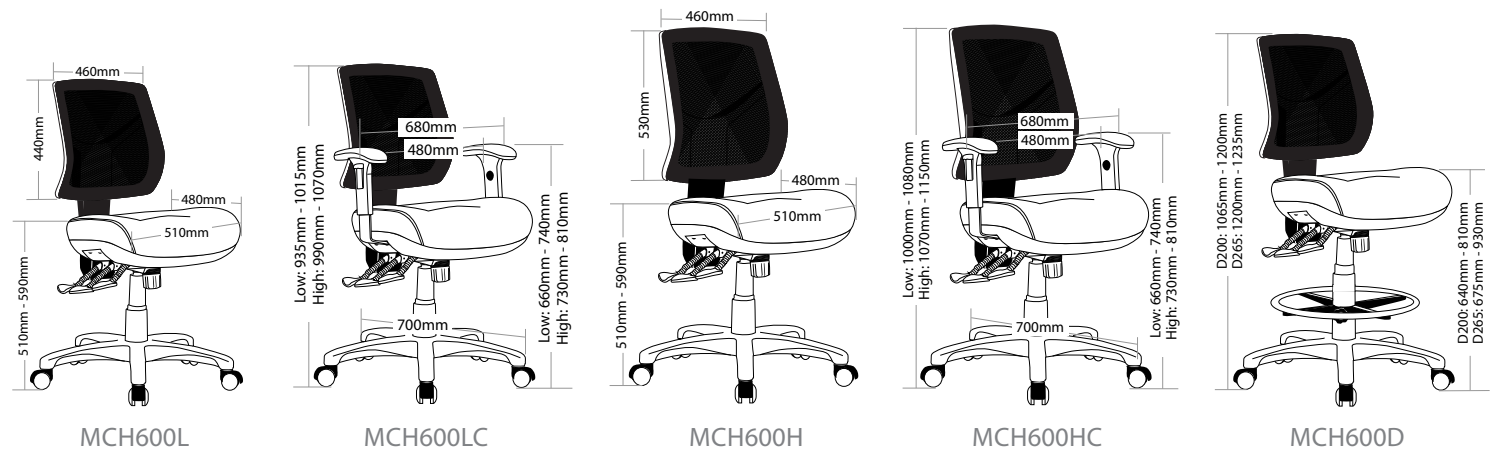
FRONT KNOB

To adjust weight tension

700MM BLACK NYLON 5 STAR BASE WITH CASTORS

Use soft tyred castors for tiles  
Use hard tyred castors for carpet

Do not use as a step ladder



# CHELSEA TASK SEATING



MCH600L



MCH600LC



MCH600H



MCH600HC



MCH600D



# R1 TASK SEATING

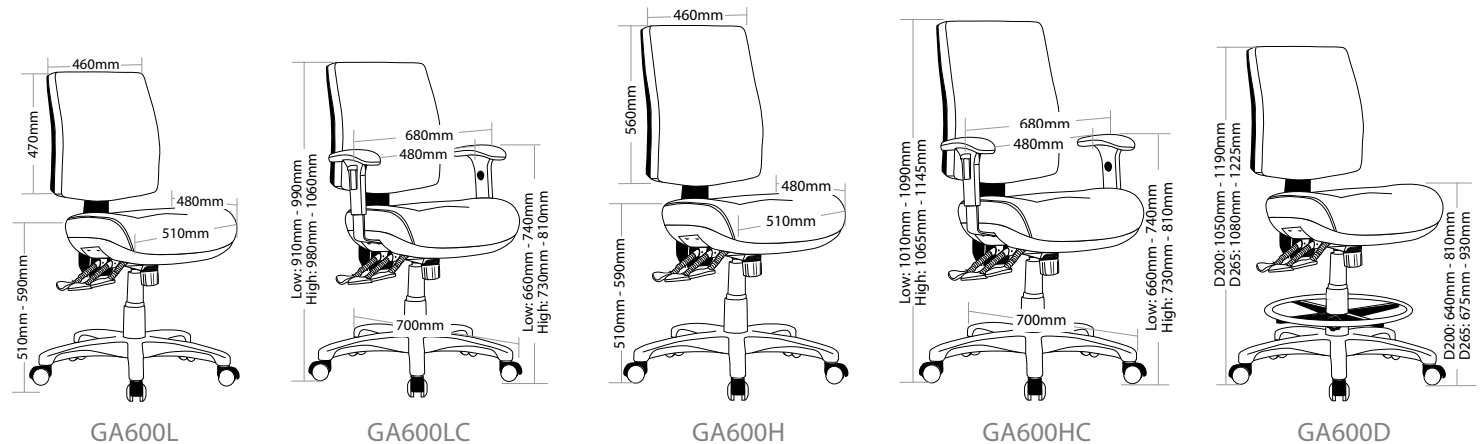
## GALAXY



### FEATURES

- » Adjustable seat height
- » Adjustable back height (ratchet)
- » Adjustable back and seat angle
- » Adjustable weight tension
- » Optional adjustable arms
- » Optional seat depth (seat slider) (not available on drafting chair)
- » Optional drafting kit
- » Available in high and low back
- » Moulded seat and back foam
- » Big boy seat
- » 3 lever ergonomic heavy duty mechanism
- » 700mm black nylon base
- » Available in local fabrics
- » AFRDI tested to level 6
- » Suitable for indoor use only
- » 7 year warranty
- » Weight limit is 140kg

INDOOR USE ONLY



# **GALAXY** TASK SEATING



GA600L



GA600LC



GA600H



GA600HC



GA600D

# R1 TASK SEATING

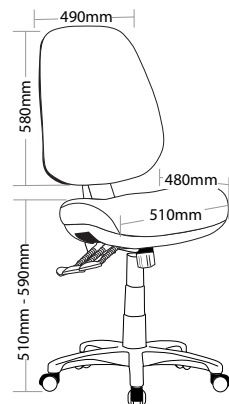
## PROFILE



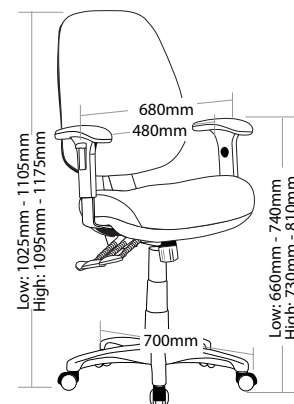
### FEATURES

- » Adjustable seat height
- » Adjustable back height (ratchet)
- » Adjustable back and seat angle
- » Adjustable weight tension
- » Optional adjustable arms
- » Optional seat depth (seat slider) (not available on drafting chair)
- » Optional drafting kit
- » Available in high and low back
- » Moulded seat and back foam
- » Big boy seat
- » 3 lever ergonomic heavy duty mechanism
- » 700mm black nylon base
- » Available in local fabrics
- » AFRDI tested to level 6
- » Suitable for indoor use only
- » 7 year warranty
- » Weight limit is 140kg

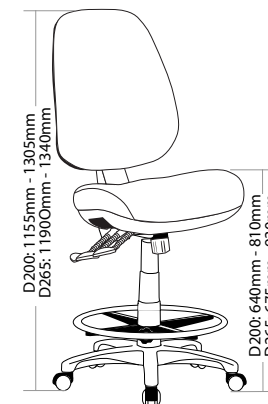
**INDOOR USE ONLY**



PR600



PR600C



PR600D

# PROFILE TASK SEATING



PR600



PR600C



PR600D

# R1 TASK SEATING

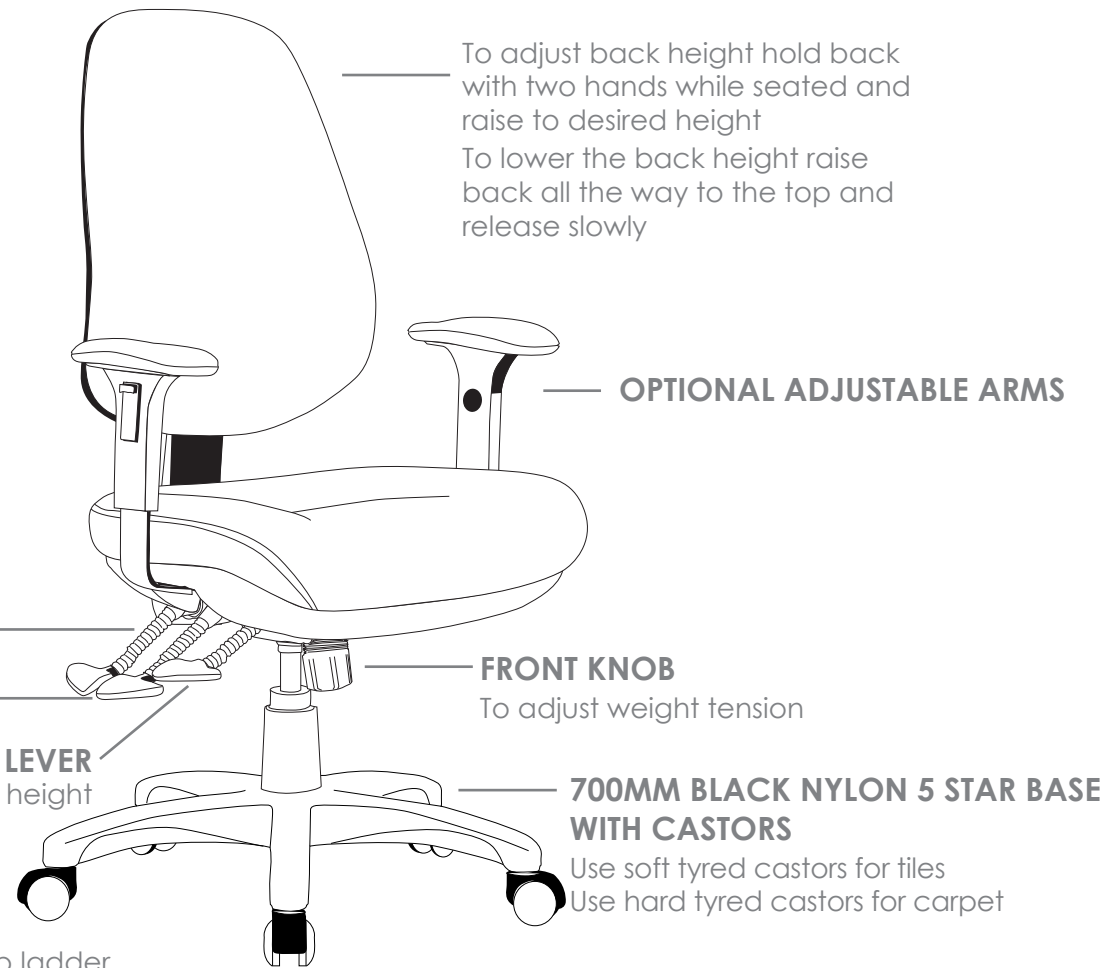
## EPIC



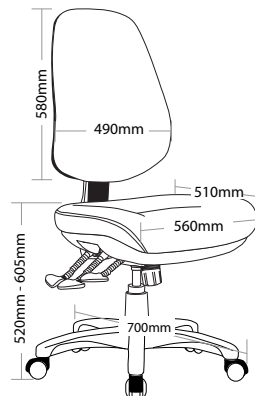
### FEATURES

- » Adjustable seat height
- » Adjustable back height (ratchet)
- » Adjustable back and seat angle
- » Adjustable weight tension
- » Optional adjustable arms
- » Moulded seat and back foam
- » Mega big boy seat
- » Not available with drafting and seat slider
- » 3 lever ergonomic heavy duty mechanism
- » 700mm black nylon base
- » Available in local fabrics
- » AFRDI tested to level 6
- » Suitable for indoor use only
- » 7 year warranty
- » Weight limit is 140kg

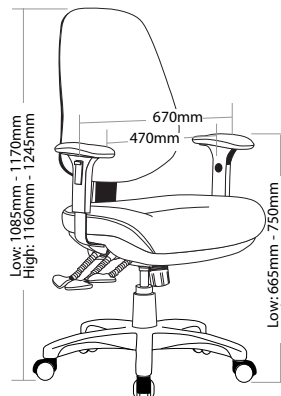
**INDOOR USE ONLY**



**X** Do not use as a step ladder



EPIC



EPIC-C

# EPIC TASK SEATING



EPIC



EPIC-C



BACK VIEW



# R1 TASK SEATING

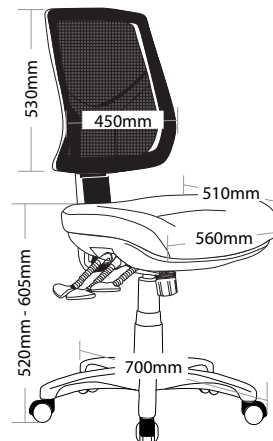
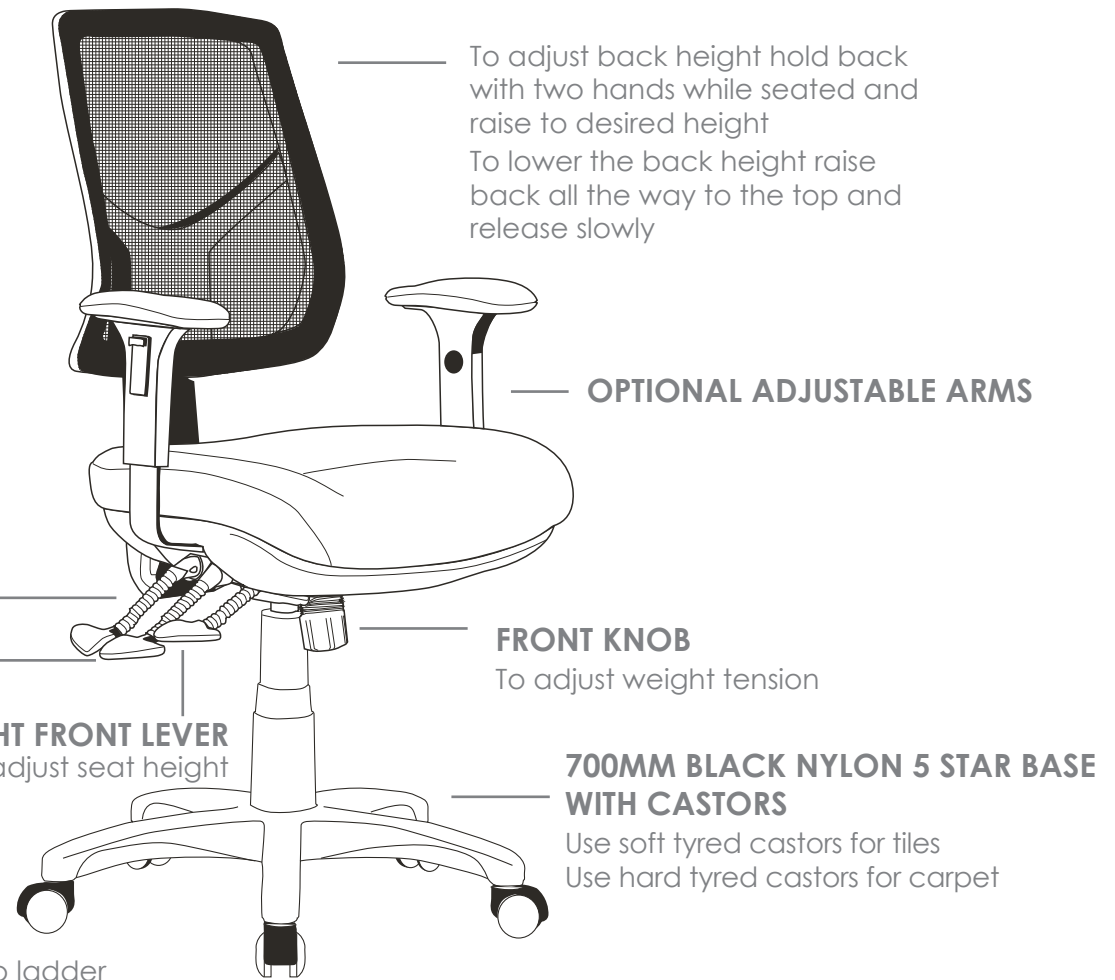
## MEGA



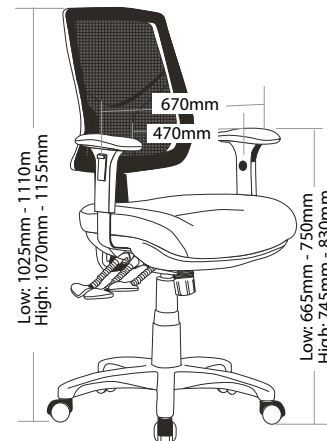
### FEATURES

- » Adjustable seat height
- » Adjustable back height (ratchet)
- » Adjustable back and seat angle
- » Adjustable weight tension
- » Optional adjustable arms
- » Moulded seat foam
- » Mega big boy seat
- » Mesh back
- » Not available with drafting and seat slider
- » 3 lever ergonomic heavy duty mechanism
- » 700mm black nylon base
- » Available in local fabrics
- » Back mesh available in Jazz mesh
- » AFRDI tested to level 6
- » Suitable for indoor use only
- » 7 year warranty
- » Weight limit is 140kg

INDOOR USE ONLY



MEGA



MEGA-C

# MEGA TASK SEATING



MEGA



MEGA-C



BACK VIEW

# R1 TASK SEATING

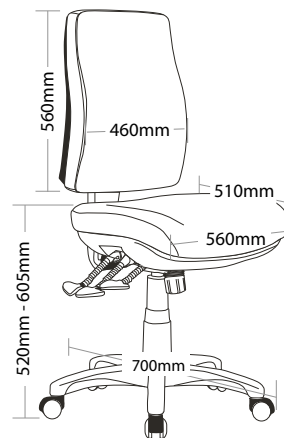
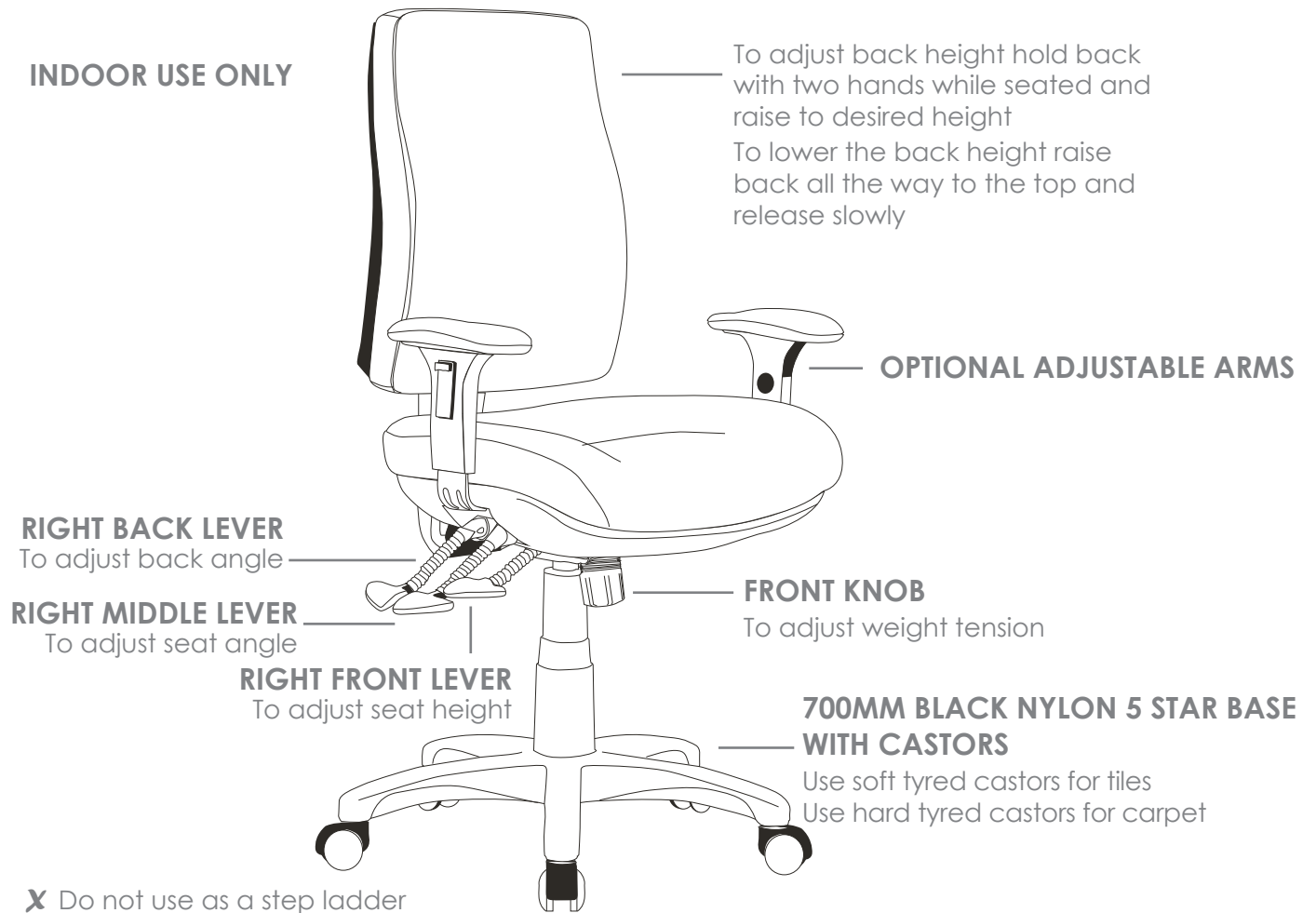
## SPIRAL



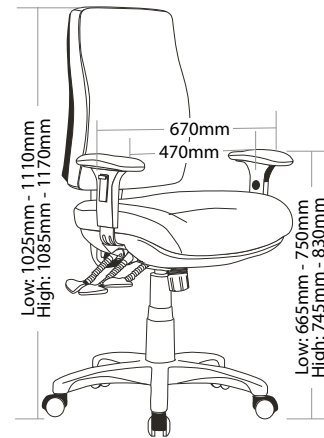
### FEATURES

- » Adjustable seat height
- » Adjustable back height (ratchet)
- » Adjustable back and seat angle
- » Adjustable weight tension
- » Optional adjustable arms
- » Moulded seat and back foam
- » Mega big boy seat
- » Not available with drafting and seat slider
- » 3 lever ergonomic heavy duty mechanism
- » 700mm black nylon base
- » Available in local fabrics
- » AFRDI tested to level 6
- » Suitable for indoor use only
- » 7 year warranty
- » Weight limit is 140kg

### INDOOR USE ONLY



SPIRAL



SPIRAL-C

# **SPIRAL** TASK SEATING



SPIRAL



SPIRAL-C



BACK VIEW

# R1 TASK SEATING

## COMFORT



### FEATURES

- » Adjustable seat height
- » Adjustable back height (ratchet)
- » Adjustable back and seat angle
- » Adjustable weight tension
- » Optional adjustable arms
- » Moulded seat and back foam
- » Mega big boy seat
- » Not available with drafting and seat slider
- » 3 lever ergonomic heavy duty mechanism
- » 700mm heavy duty 6 star black nylon base with castors
- » Available in local fabrics
- » Suitable for indoor use only
- » 5 year warranty
- » Weight limit is 150kg

INDOOR USE ONLY

**RIGHT BACK LEVER**

To adjust back angle

**RIGHT MIDDLE LEVER**

To adjust seat angle

**RIGHT FRONT LEVER**

To adjust seat height

To adjust back height hold back with two hands while seated and raise to desired height

To lower the back height raise back all the way to the top and release slowly

**OPTIONAL ADJUSTABLE ARMS**

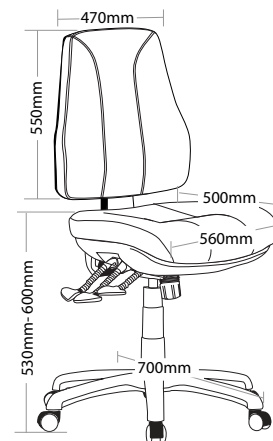
**FRONT KNOB**

To adjust weight tension

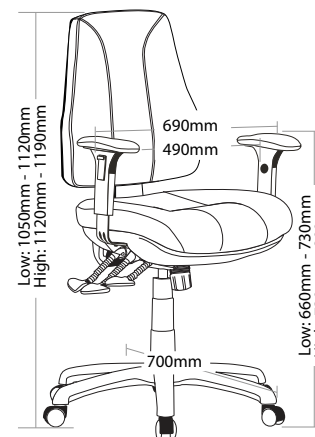
**700MM HEAVY DUTY BLACK NYLON 6 STAR BASE WITH CASTORS**

Use soft tyred castors for tiles  
Use hard tyred castors for carpet

**X** Do not use as a step ladder



COMFORT



COMFORT-C

# COMFORT TASK SEATING



COMFORT



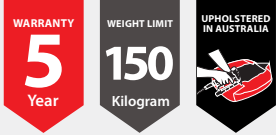
COMFORT-C



BACK VIEW

# R1 TASK SEATING

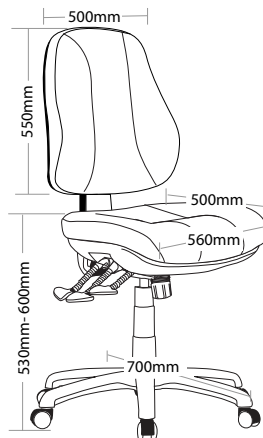
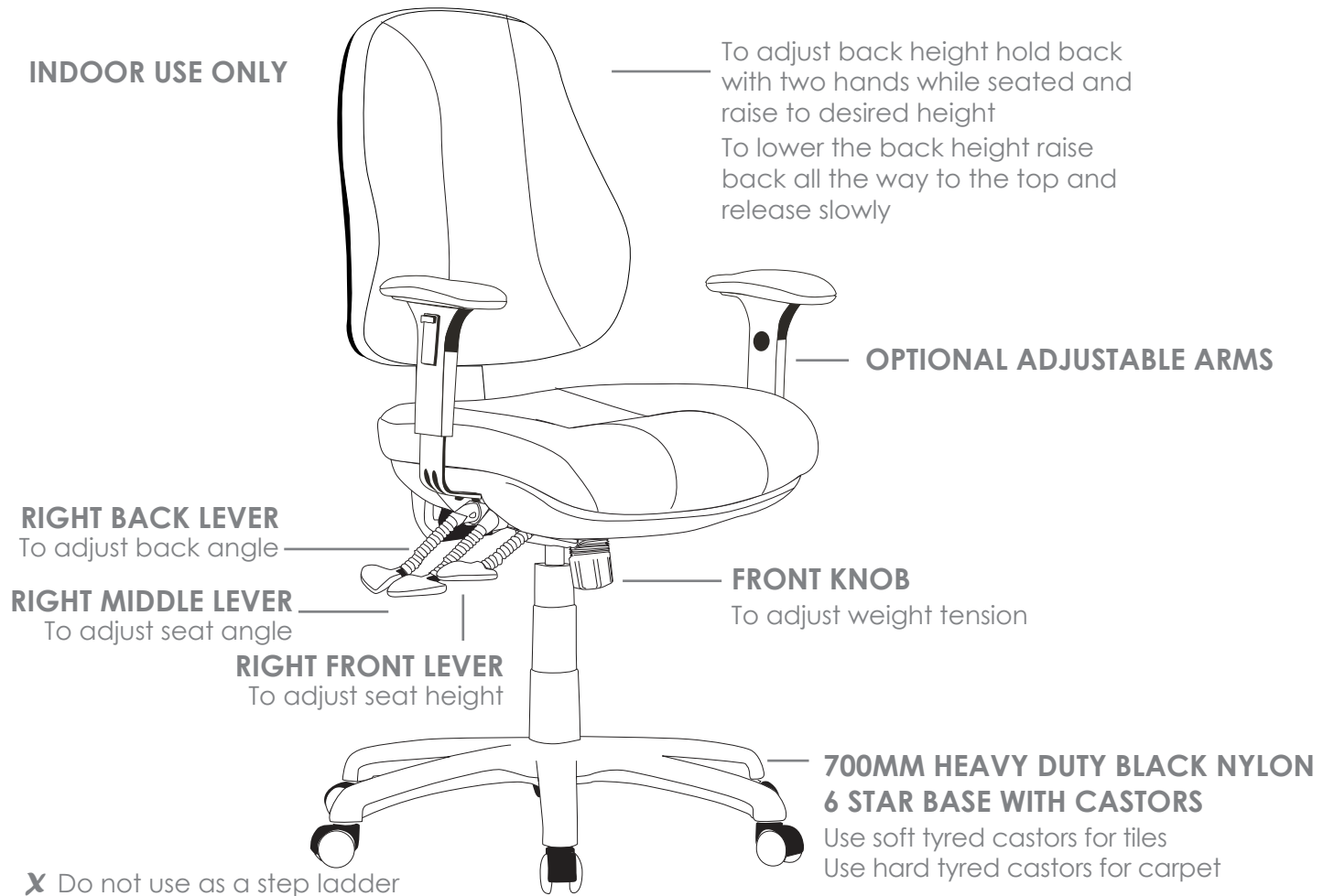
## MOLTA



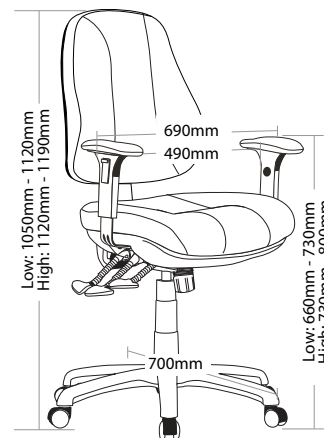
### FEATURES

- » Adjustable seat height
- » Adjustable back height (ratchet)
- » Adjustable back and seat angle
- » Adjustable weight tension
- » Optional adjustable arms
- » Moulded seat and back foam
- » Mega big boy seat
- » Not available with drafting and seat slider
- » 3 lever ergonomic heavy duty mechanism
- » 700mm heavy duty black 6 star nylon base
- » Available in local fabrics
- » Suitable for indoor use only
- » 5 year warranty
- » Weight limit is 150kg

### INDOOR USE ONLY



MOLTA



MOLTA-C



# MOLTA TASK SEATING



MOLTA



MOLTA-C



BACK VIEW

# R2 MULTI SHIFT SEATING

## ROTARY



### FEATURES

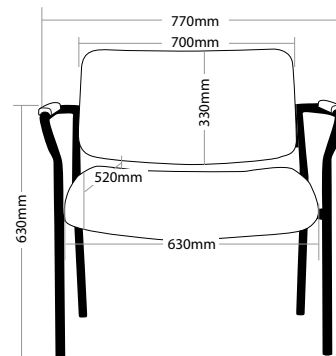
- » Available in 2 seat widths
- » High density foam
- » Plastic under pan
- » Heavy duty black textured metal frame
- » Available in local fabrics
- » Optional frame or base colour (please allow 5 more days)
- » Suitable for indoor use only
- » 7 year warranty
- » Weight limit is 200kg

INDOOR USE ONLY

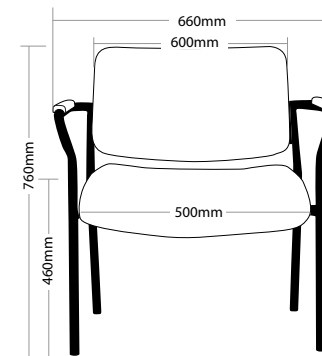
✗ Do not use as a step ladder



Keep a permanent contact between base of chair and floor



ROTARY-700



ROTARY-600

# ROTARY MULTI SHIFT SEATING



ROTARY-700



ROTARY-600



SIDE VIEW

# R2 MULTI SHIFT SEATING

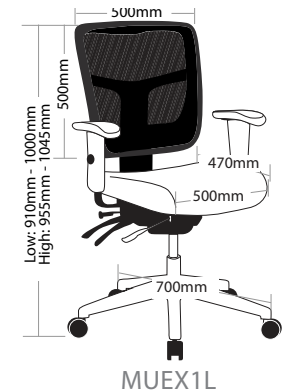
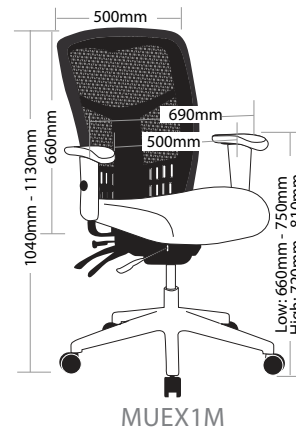
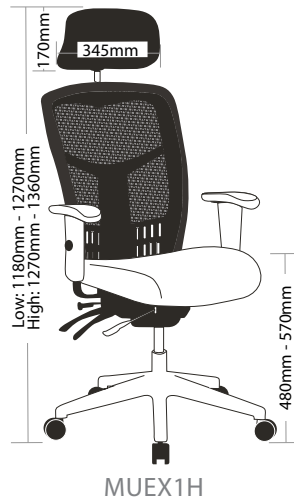
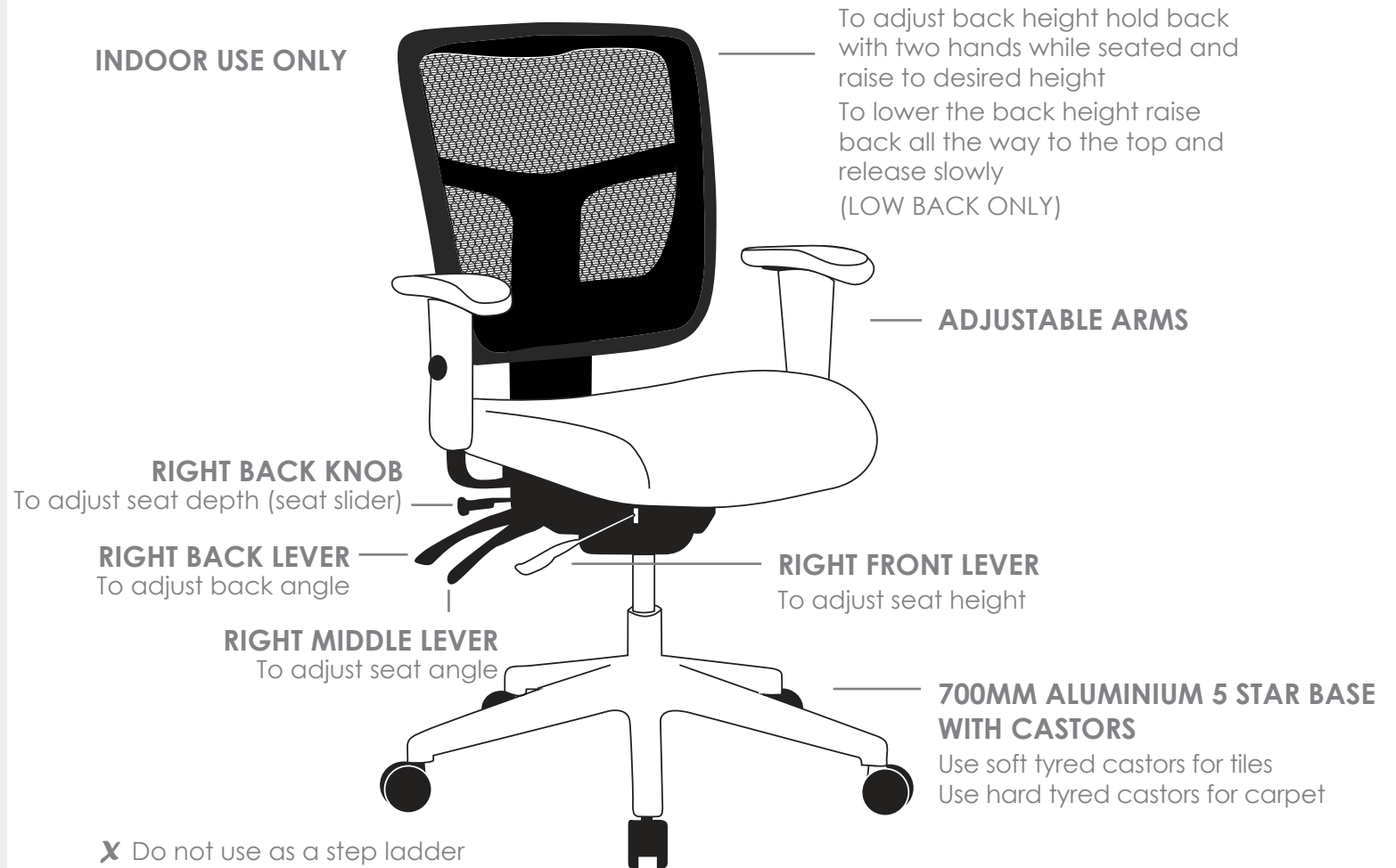
## MULTI



### FEATURES

- » Adjustable seat height
- » Adjustable back height (ratchet) (available in low back only)
- » Adjustable seat and back angle
- » Adjustable seat depth (seat slider)
- » Adjustable arms
- » Available in high, medium and low back
- » Moulded seat foam
- » Mesh back
- » 700mm aluminium base
- » 4 lever ergonomic mechanism
- » Available in local fabrics
- » Optional frame or base colour (please allow 5 more days)
- » Suitable for indoor use only
- » 10 year warranty
- » Weight limit is 140kg

INDOOR USE ONLY



# MULTI, MULTI SHIFT SEATING



MUEX1H



MUEX1M



MUEX1L

# R2 MULTI SHIFT SEATING

## ROVER



### FEATURES

- » Adjustable seat height
- » Adjustable back height (ratchet)
- » Adjustable seat and back angle
- » Adjustable weight tension
- » Adjustable arms
- » Available in high and low back
- » Moulded seat and back foam
- » 4 lever ergonomic mechanism
- » 700mm black nylon base
- » Available in local fabric
- » Suitable for indoor use only
- » 10 year warranty
- » Weight limit is 140kg

### INDOOR USE ONLY

✘ Do not use as a step ladder

#### RIGHT FOURTH LEVER

To adjust back angle

#### RIGHT THIRD LEVER

To adjust seat angle

#### RIGHT SECOND LEVER

To adjust seat height

#### RIGHT FRONT LEVER

To adjust seat front angle

To adjust back height hold back with two hands while seated and raise to desired height

To lower the back height raise back all the way to the top and release slowly

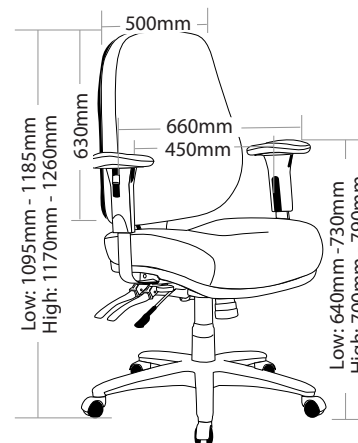
#### ADJUSTABLE ARMS

#### FRONT KNOB

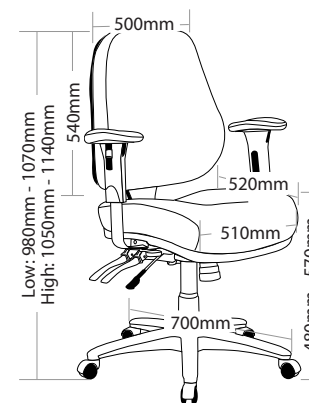
To adjust weight tension

#### 700MM BLACK NYLON 5 STAR BASE WITH CASTORS

Use soft tyred castors for tiles  
Use hard tyred castors for carpet



ROVER-2HA



ROVER-2LA

# ROVER MULTI SHIFT SEATING



ROVER-2HA



ROVER-2LA

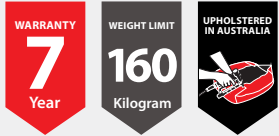


BACK VIEW



# R2 MULTI SHIFT SEATING

## RANGER



### FEATURES

- » Adjustable seat height
- » Adjustable seat and back angle
- » Adjustable seat depth (seat slider)
- » Adjustable weight tension
- » Adjustable headrest
- » Adjustable arms
- » Moulded seat and back foam
- » Saddle seat
- » Double steel strengthened for both seat and back
- » Synchron mechanism with 3 locking positions
- » 720mm aluminium base
- » Available in local fabrics
- » AFRDI tested to level 6
- » AFRDI tested to multi shift use 160kg
- » Suitable for indoor use only
- » 7 year warranty
- » Weight limit is 160kg

**INDOOR USE ONLY**

**X** Do not use as a step ladder

**INNER BACK LEVER**  
To adjust seat angle  
(Forwards)

**INNER RIGHT LEVER**  
To adjust seat height

**RIGHT KNOB**  
To adjust weight tension

**720MM ALUMINIUM  
5 STAR BASE WITH CASTORS**

Use soft tyred castors for tiles  
Use hard tyred castors for carpet

**ADJUSTABLE HEADREST**

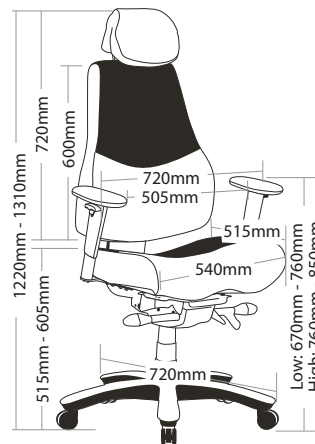
**ADJUSTABLE ARMS**

**LEFT KNOB**

To adjust seat and back angle

**INNER LEFT LEVER**

To adjust seat depth (seat slider)



RANGER-U

# **RANGER** MULTI SHIFT SEATING



RANGER-U



SIDE VIEW



BACK VIEW

# R3 EXECUTIVE SEATING

## REGAL



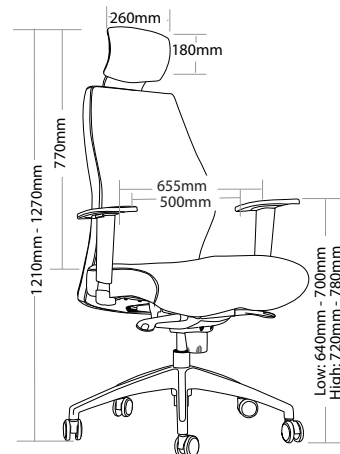
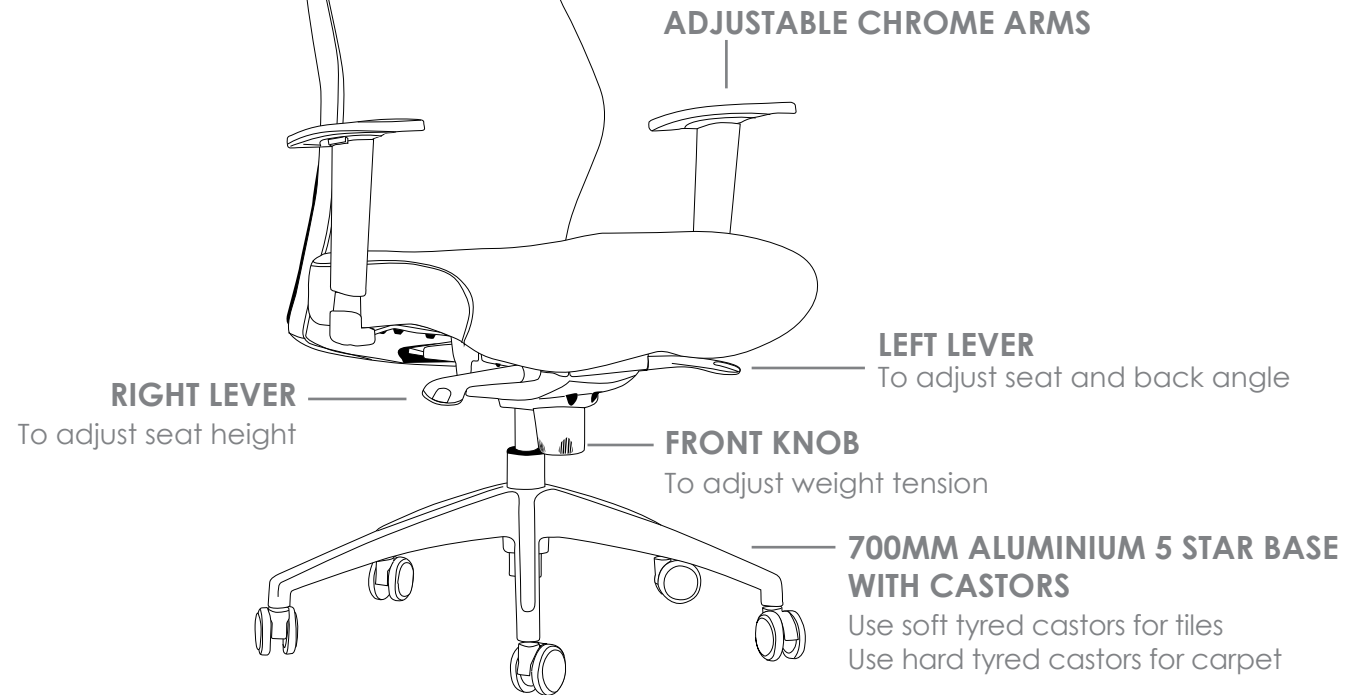
### FEATURES

- » Adjustable seat height
- » Adjustable seat and back angle
- » Adjustable weight tension
- » Adjustable chrome arms
- » Optional headrest
- » Moulded back foam
- » Saddle seat
- » Synchron mechanism with 3 locking positions
- » 700mm aluminium base
- » Available in local fabrics
- » Optional frame or base colour (please allow 5 more days)
- » Suitable for indoor use only
- » 5 year warranty
- » Weight limit is 130kg

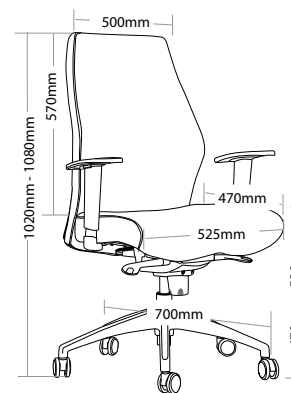
OPTIONAL HEADREST —

INDOOR USE ONLY

✗ Do not use as a step ladder



REGAL-H



REGAL-L

# REGAL EXECUTIVE SEATING



REGAL-H



REGAL-L



BACK VIEW

# R3 EXECUTIVE SEATING

## AUSTIN

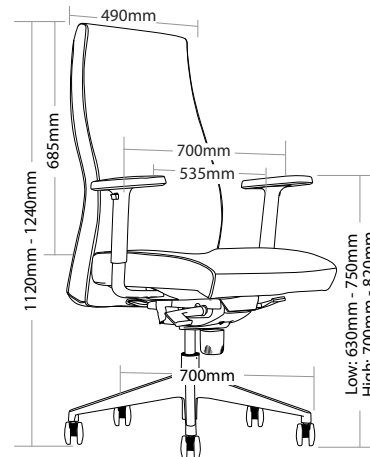
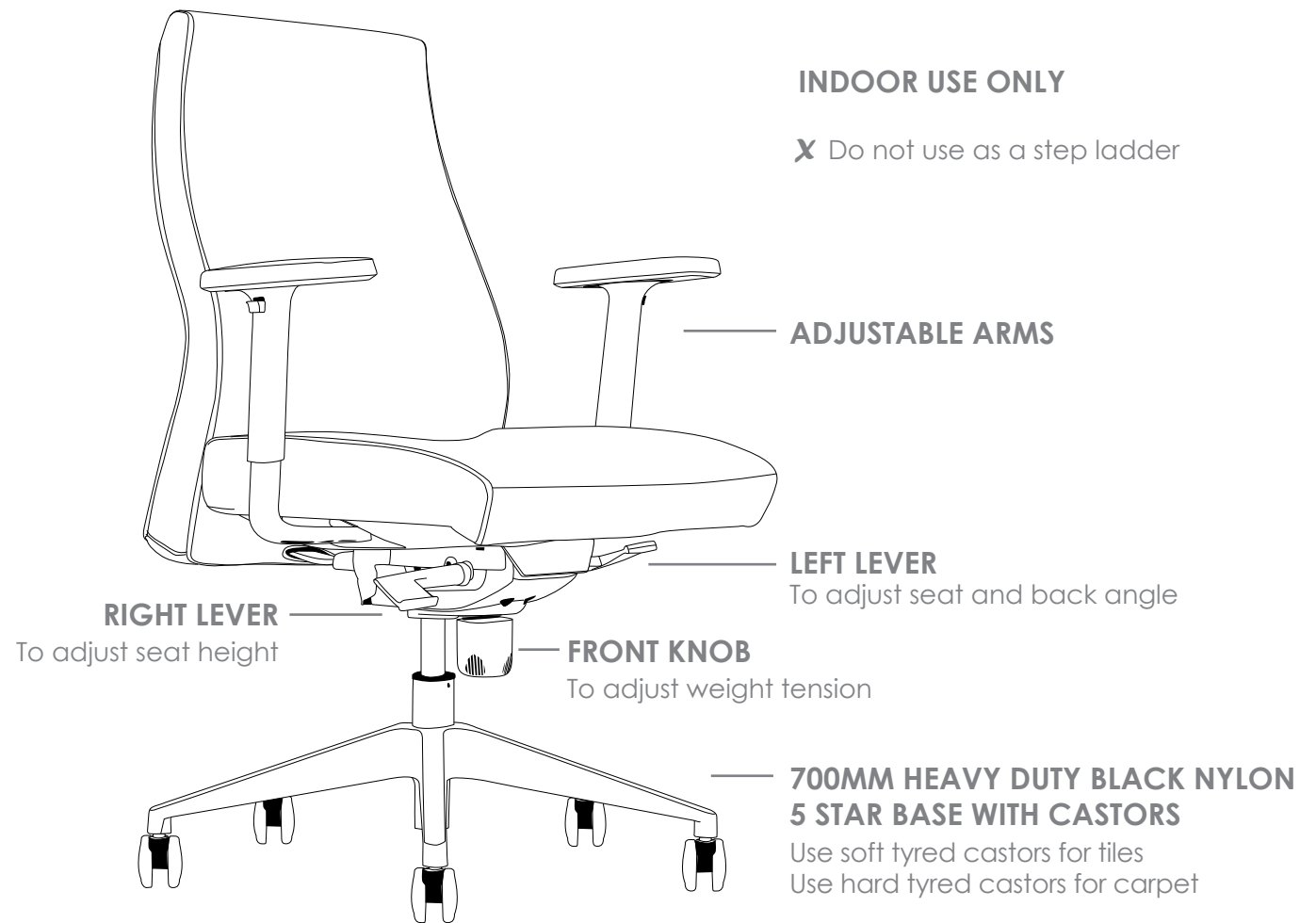


### FEATURES

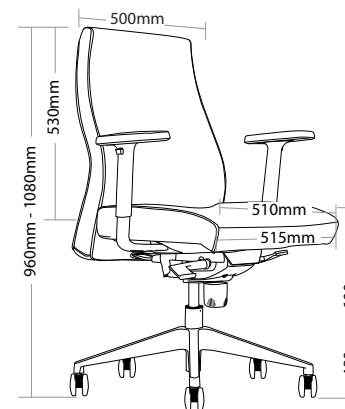
- » Adjustable seat height
- » Adjustable seat and back angle
- » Adjustable weight tension
- » Adjustable arms
- » Available in high and low back
- » Plastic under pan
- » Moulded seat and back foam
- » Synchron mechanism with 3 locking positions
- » 700mm heavy duty black nylon base
- » Available in local fabrics
- » Suitable for indoor use only
- » 5 year warranty
- » Weight limit is 130kg

**INDOOR USE ONLY**

**X** Do not use as a step ladder



AUSTIN-H



AUSTIN-L

# AUSTIN EXECUTIVE SEATING



AUSTIN-H



AUSTIN-L



BACK VIEW

# R3 EXECUTIVE SEATING

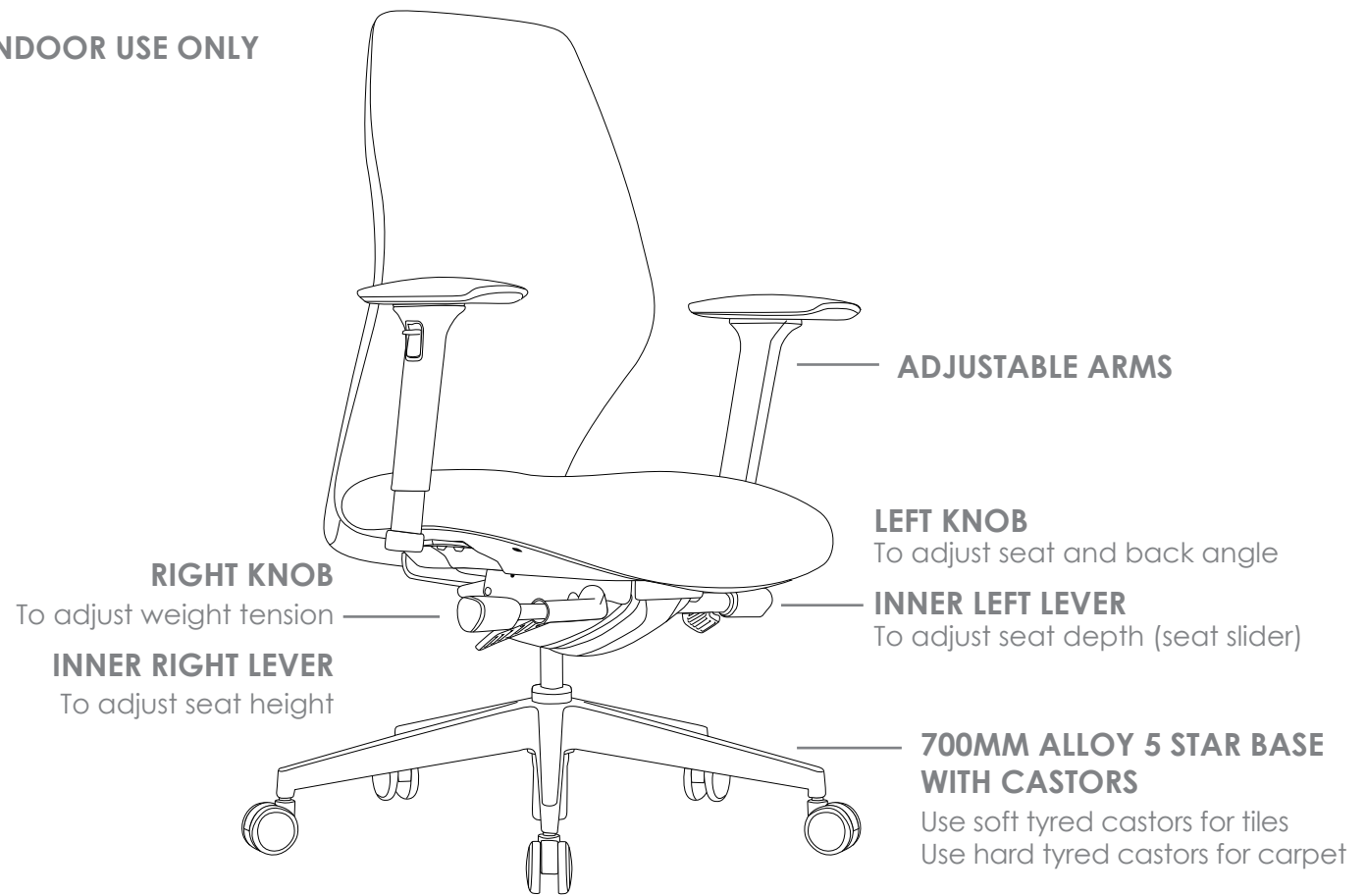
## PORTO



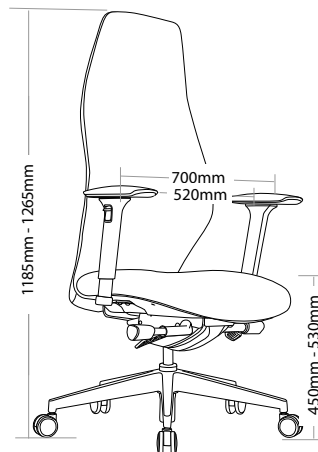
### FEATURES

- » Adjustable seat height
- » Adjustable seat and back angle
- » Adjustable seat depth (seat slider)
- » Adjustable weight tension
- » Adjustable arms
- » Available in high and low back
- » Plastic under pan
- » Moulded seat and back foam
- » Synchron mechanism with 3 locking positions
- » 700mm alloy base
- » Available in local fabrics
- » Optional frame or base colour (please allow 5 more days)
- » Suitable for indoor use only
- » 5 year warranty
- » Weight limit is 130kg

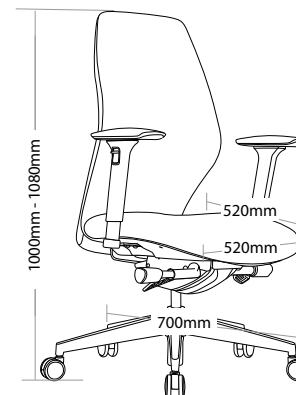
INDOOR USE ONLY



**X** Do not use as a step ladder



PORTO-H



PORTO-L



# PORTO EXECUTIVE SEATING



PORTO-H



PORTO-L



BACK VIEW

# R3 EXECUTIVE SEATING

## ACURA



### FEATURES

#### ACURA-H/ ACURA-L

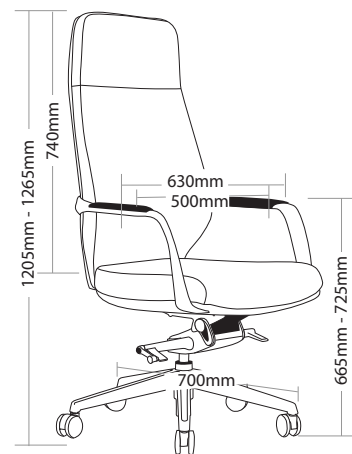
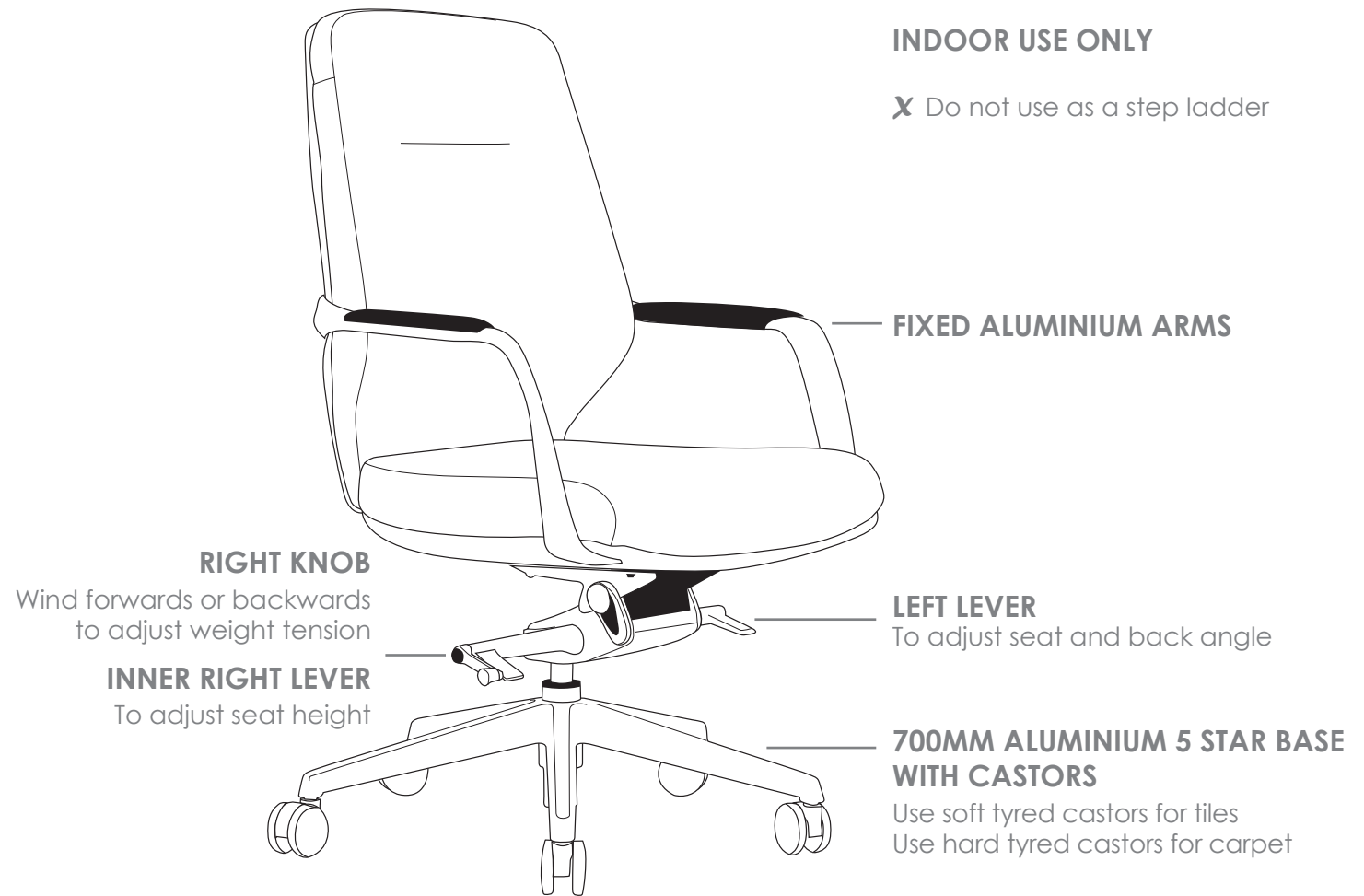
- » Adjustable seat height
- » Adjustable seat and back angle
- » Adjustable weight tension
- » Available in high and low back
- » Fixed aluminium arms
- » High density foam
- » Knee tilt mechanism with 3 locking positions
- » 700mm aluminium base
- » Available in local fabrics
- » Optional frame or base colour (please allow 5 more days)
- » Suitable for indoor use only
- » 5 year warranty
- » Weight limit is 120kg

#### ACURA-VC

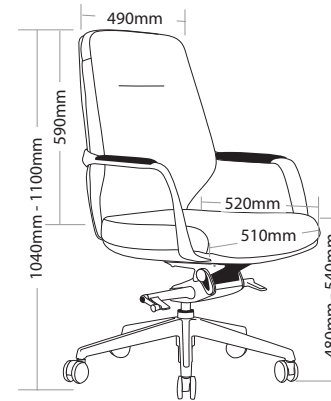
- » Chrome frame
- » High density foam
- » Available in local fabrics
- » Optional frame or base colour (please allow 5 more days)
- » Suitable for indoor use only
- » 5 year warranty
- » Weight limit is 120kg

**INDOOR USE ONLY**

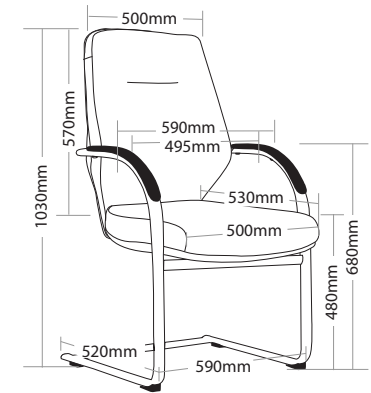
**X** Do not use as a step ladder



ACURA-H



ACURA-L



ACURA-VC

# ACURA EXECUTIVE SEATING



ACURA-H



ACURA-L



ACURA-VC

# R3 EXECUTIVE SEATING

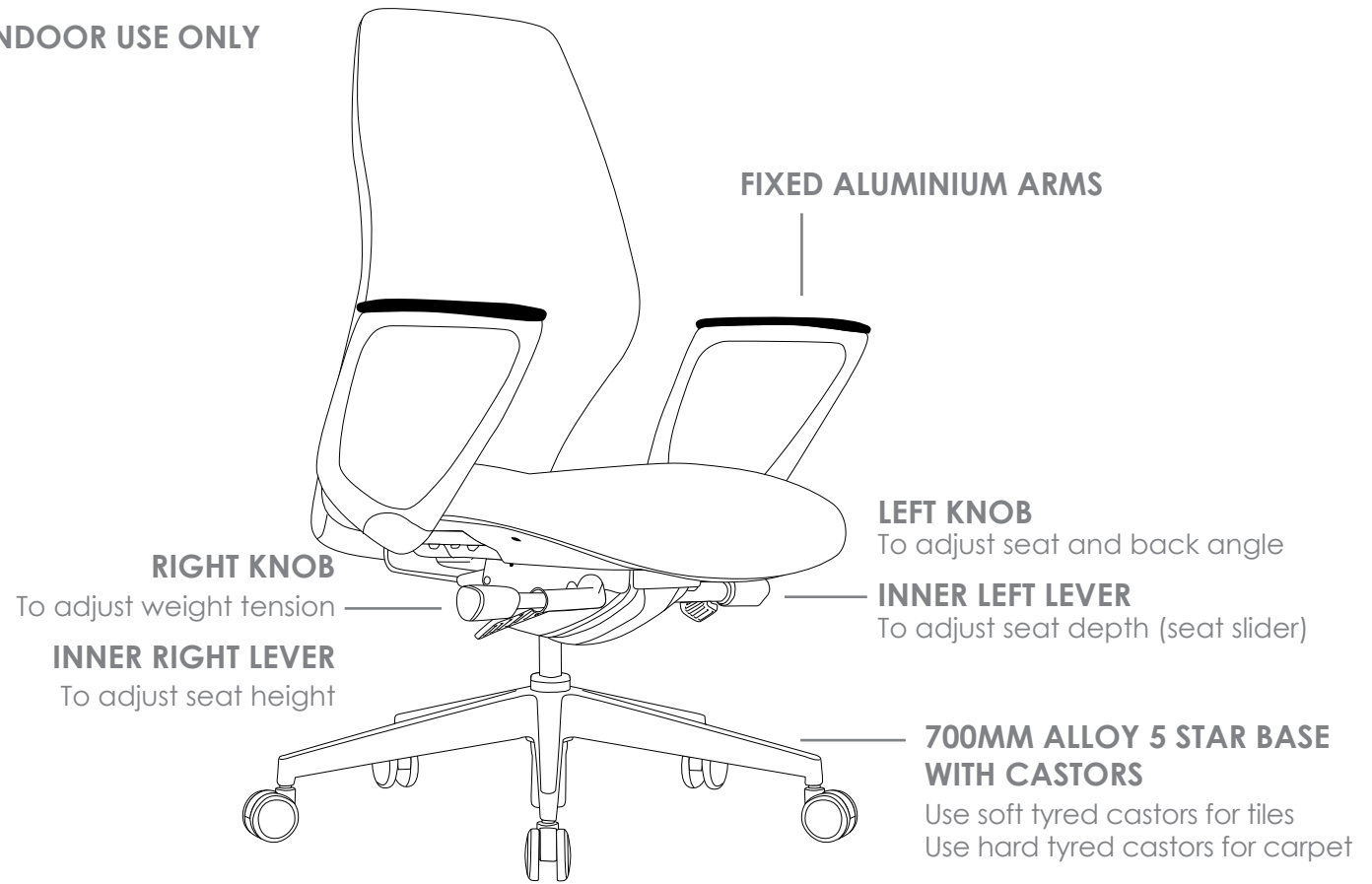
## ASSIST



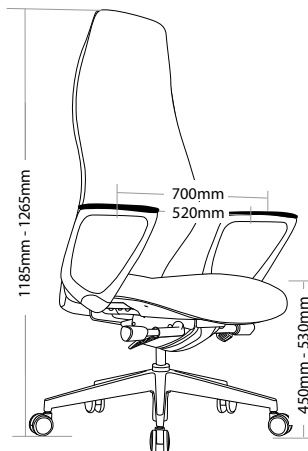
### FEATURES

- » Adjustable seat height
- » Adjustable seat and back angle
- » Adjustable seat depth (seat slider)
- » Adjustable weight tension
- » Fixed aluminium arms
- » Available in high and low back
- » Plastic under pan
- » Moulded seat and back foam
- » Synchron mechanism with 3 locking positions
- » 700mm alloy base
- » Available in local fabrics
- » Optional frame or base colour (please allow 5 more days)
- » Suitable for indoor use only
- » 5 year warranty
- » Weight limit is 130kg

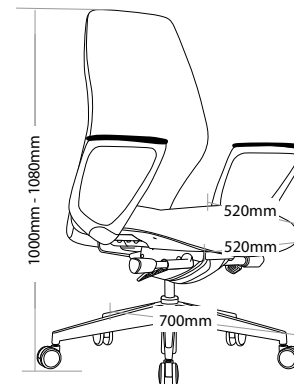
INDOOR USE ONLY



**X** Do not use as a step ladder



ASSIST-H



ASSIST-L

# ASSIST EXECUTIVE SEATING



ASSIST-H



ASSIST-L



BACK VIEW

# R4 HOSPITALITY SEATING

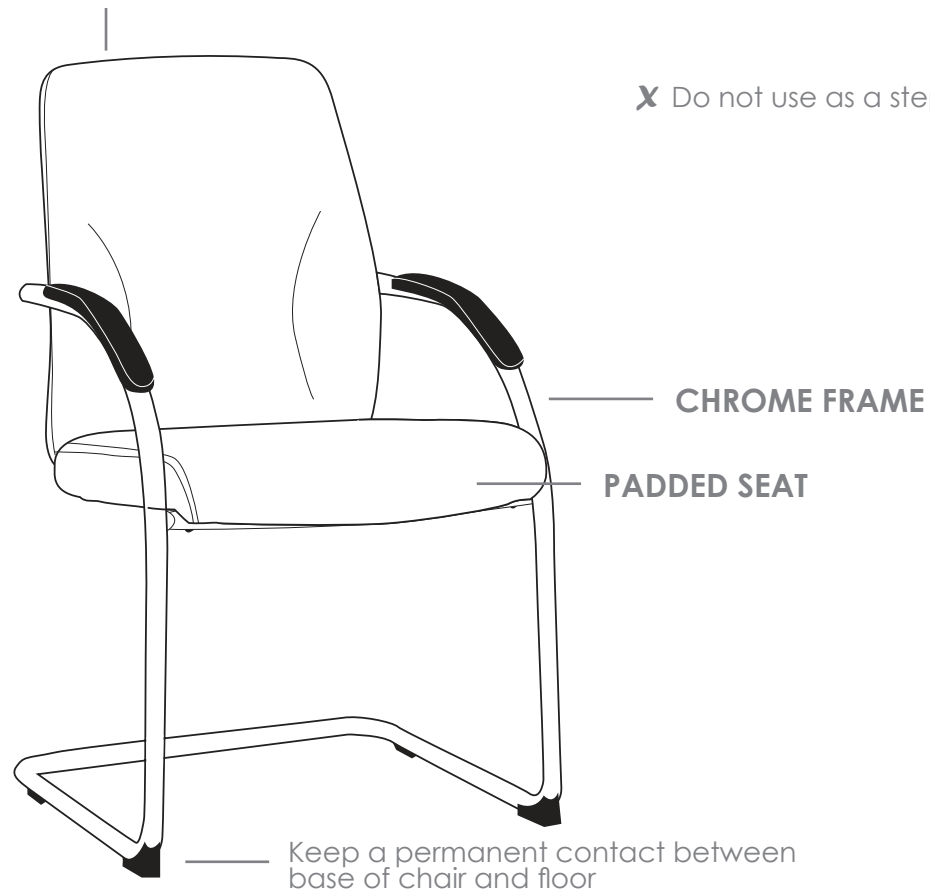
## ASTRA



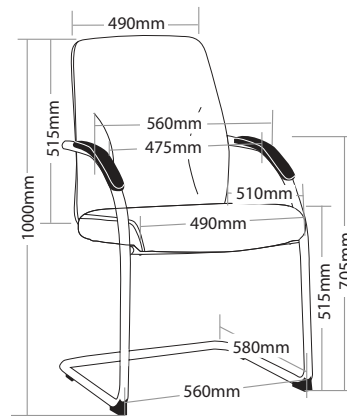
### FEATURES

- » Padded seat
- » Chrome frame
- » Available in local fabrics
- » Optional frame or base colour (please allow 5 more days)
- » Suitable for indoor use only
- » 3 year warranty
- » Weight limit is 120kg

INDOOR USE ONLY



X Do not use as a step ladder



ASTRA

# ASTRA HOSPITALITY SEATING



ASTRA



SIDE VIEW



BACK VIEW



# R4 HOSPITALITY SEATING

## FOCUS



### FEATURES

- » Optional arms
- » Optional left / right hand tablet arm
- » Optional black metal trolley, easy to move when stacked
- » Available in beam seating
- » Multi purpose stackable client chair
  - » Maximum 10 chairs on trolley
  - » Maximum 5 chairs on floor
  - » Maximum 3 chairs with arms
  - » Not stackable with tablet arms
- » Linkable except with tablet arms or arms
- » Fully strengthened plastic back shell
- » Fully welded frame
- » Sled chrome base
- » Available in all local fabrics
- » Optional frame or base colour (please allow 5 more days)
- » BIFMA drop tested
- » Suitable for indoor use only
- » 4 year warranty
- » Weight limit is 120kg

INDOOR USE ONLY

✗ Do not use as a step ladder

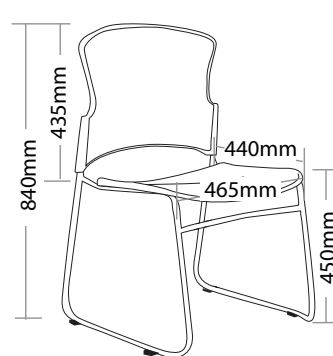


WELDED FRAME

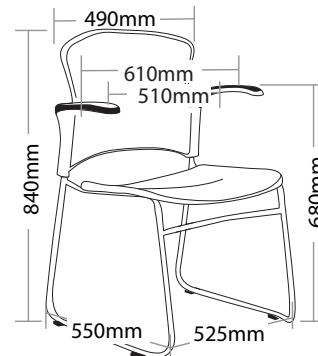
STACKABLE

SLED BASE FRAME

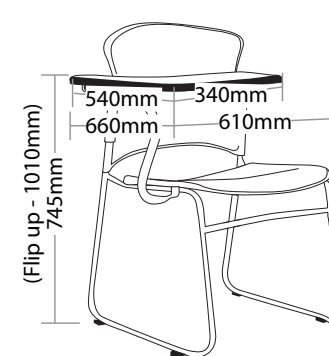
Keep a permanent contact between base of chair and floor



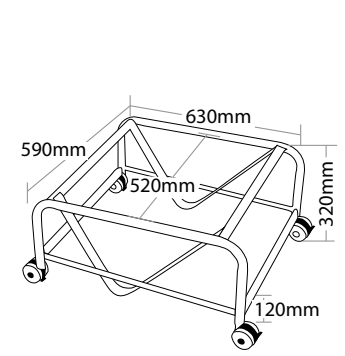
FOC-1U



FOC-1UA



FOC-1UTR



FOC-TRL

# FOCUS HOSPITALITY SEATING



FOC-1U



FOC-1UA



FOC-1UTR



FOC-1UTL



FOC-TRL



# R4 HOSPITALITY SEATING

## VINN

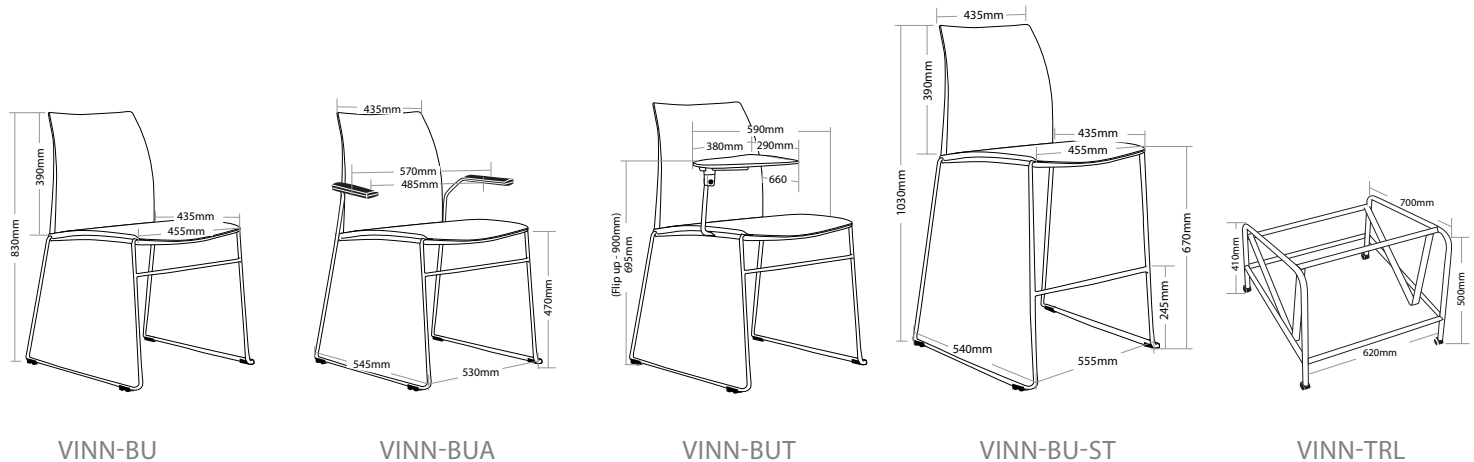
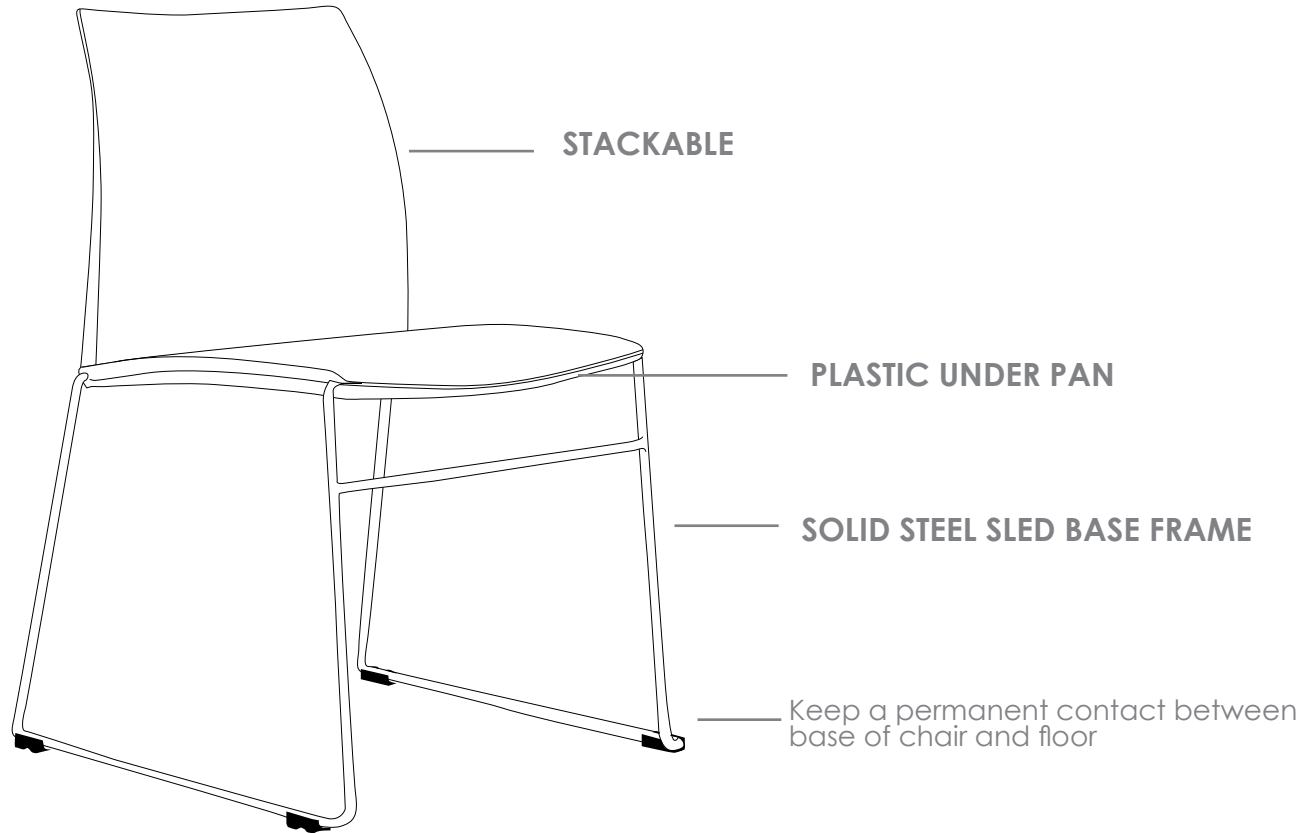


### FEATURES

- » Optional plastic or mesh back
- » Optional arms, tablet arm or stool
- » Optional black metal trolley, easy to move when stacked
- » Available in beam seating
- » Stackable
  - » Maximum 10 chairs on trolley
  - » Maximum 5 chairs on floor
  - » Maximum 3 chairs with stools or arms
- » Not stackable with tablet arms or stool with arms
- » Linkable except with tablet arms or arms
- » Chrome finish
- » Black plastic
- » Plastic under pan
- » Solid steel sled base frame
- » Available in all local fabrics
- » Back mesh available in Jazz mesh
- » Optional frame or base colour (please allow 5 more days)
- » Suitable for indoor use only
- » 4 year warranty
- » Weight limit is 120kg

INDOOR USE ONLY

X Do not use as a step ladder



# VINN HOSPITALITY SEATING



VINN-BU



VINN-BUA



VINN-BUT



VINN-BU-ST



VINN-BU-STA



VINN-TRL

# R4 HOSPITALITY SEATING

## VINN MESH

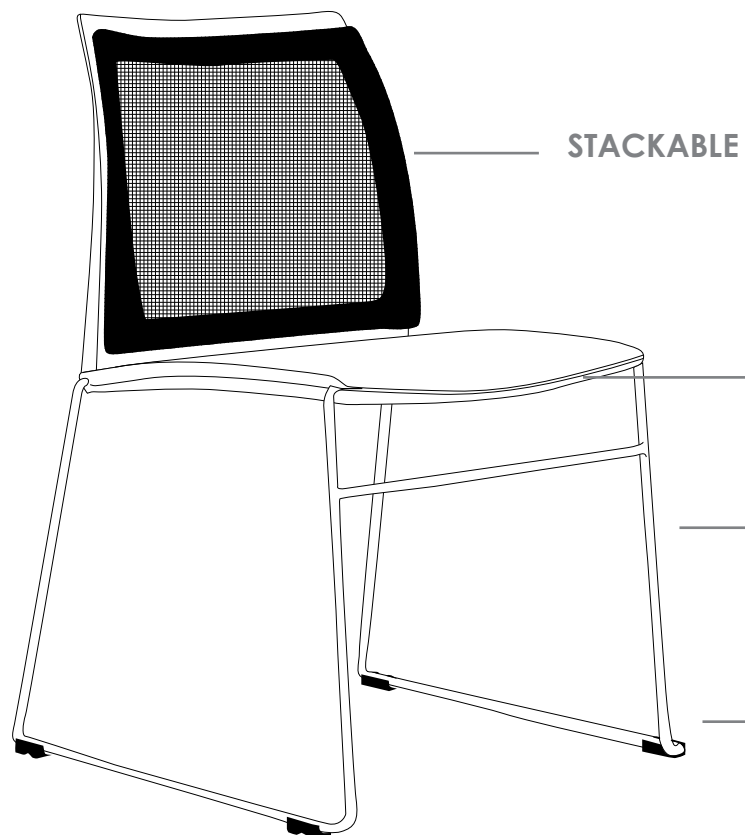


### FEATURES

- » Optional plastic or mesh back
- » Optional arms, tablet arm or stool
- » Optional black metal trolley, easy to move when stacked
- » Available in beam seating
- » Stackable
  - » Maximum 10 chairs on trolley
  - » Maximum 5 chairs on floor
  - » Maximum 3 chairs with stools or arms
- » Not stackable with tablet arms or stool with arms
- » Linkable except with tablet arms or arms
- » Chrome finish
- » Black plastic
- » Plastic under pan
- » Solid steel sled base frame
- » Available in all local fabrics
- » Back mesh available in Jazz mesh
- » Optional frame or base colour (please allow 5 more days)
- » Suitable for indoor use only
- » 4 year warranty
- » Weight limit is 120kg

INDOOR USE ONLY

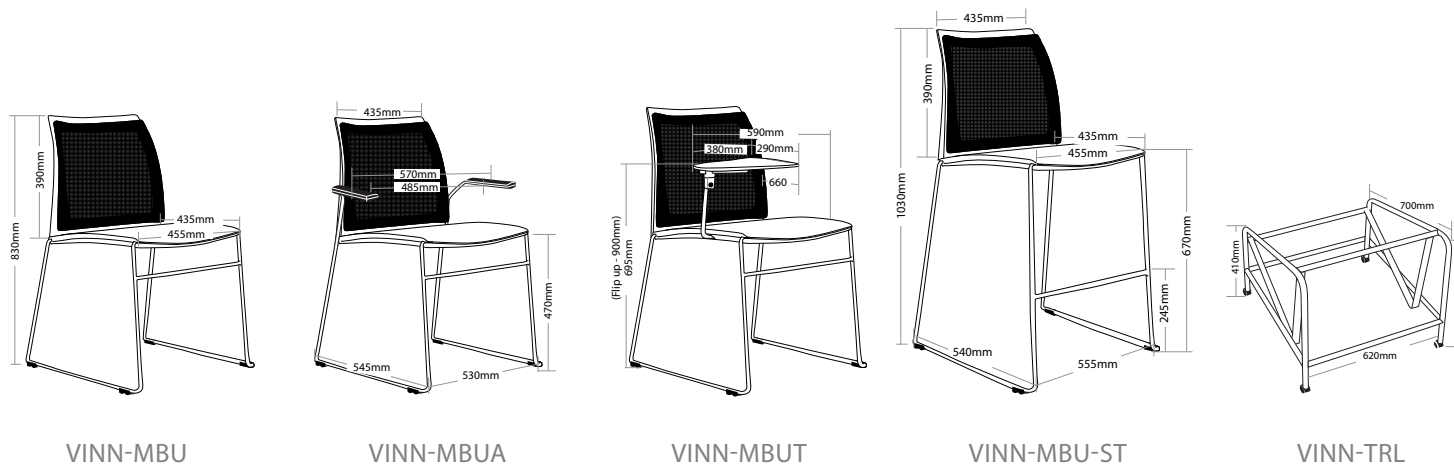
✗ Do not use as a step ladder



PLASTIC UNDER PAN

SOLID STEEL SLED BASE FRAME

Keep a permanent contact between base of chair and floor



# VINN MESH HOSPITALITY SEATING



VINN-MBU



VINN-MBUA



VINN-MBUT



VINN-MBU-ST



VINN-MBU-STA



VINN-TRL

# R4 HOSPITALITY SEATING

## POD



### FEATURES

- » Adjustable seat height with black base and black base with castors
- » Optional upholstered
- » Optional aluminium legs with timber finish
- » Optional aluminium legs with black finish
- » Optional black base
- » Optional black base with castor
- » Not stackable
- » Available in local fabrics
- » Available in black, red and white plastic shell
- » Optional frame or base colour (please allow 5 more days)
- » Suitable for indoor use only
- » 4 year warranty
- » Weight limit is 120kg

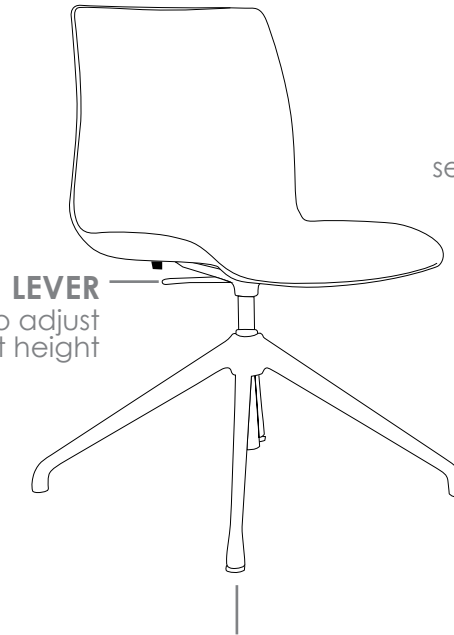
### PLASTIC COLOUR



B-Black R-Red W-White

### INDOOR USE ONLY

✗ Do not use as a step ladder

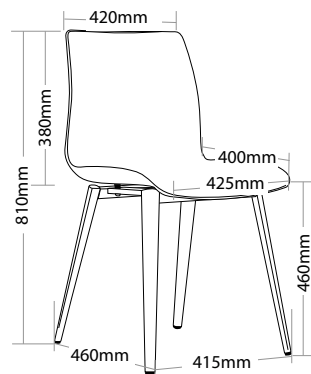


LEVER  
To adjust  
seat height

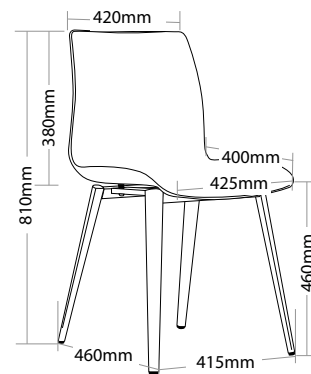
LEVER  
To adjust  
seat height

**BLACK BASE WITH CASTORS**  
Keep a permanent contact  
between base of chair and floor

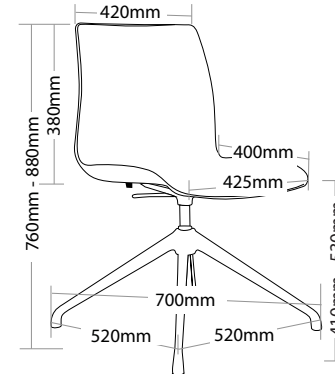
Keep a permanent contact  
between base of chair and floor



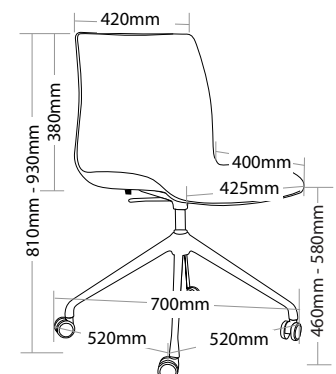
POD-NL



POD-BL



POD-BB



POD-BBC



# POD HOSPITALITY SEATING



POD-B-NL



POD-R-BL



POD-W-BB



POD-B-BBC



POD-RU-NL



POD-WU-BL



POD-BU-BB



POD-RU-BBC

# R4 HOSPITALITY SEATING

## POD 4 LEGS



### FEATURES

- » Optional arms
- » Optional tablet arm
- » Optional stool
- » Optional black metal trolley, easy to move when stacked
- » Optional 4 legs or sled base chrome frame
- » Available in beam seating
- » Stackable
  - » Maximum 10 chairs on trolley
  - » Maximum 5 chairs on floor
  - » Maximum 3 chairs with stools or arms
  - » Maximum 3 chairs with tablet arms
- » Plastic under pan
- » Available in local fabrics
- » Available in black, red and white plastic shell
- » Optional frame or base colour (please allow 5 more days)
- » Suitable for indoor use only
- » 4 year warranty
- » Weight limit is 120kg

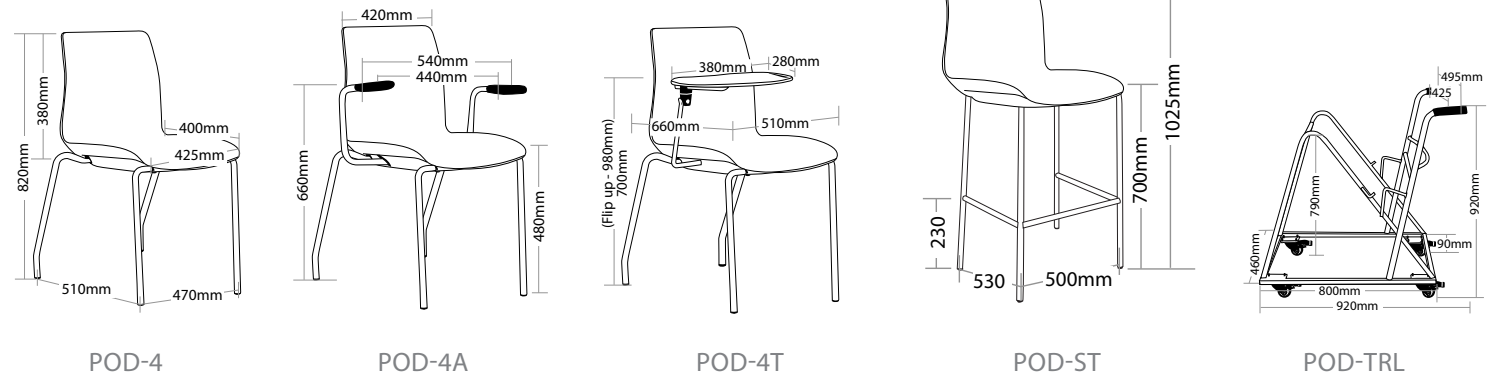
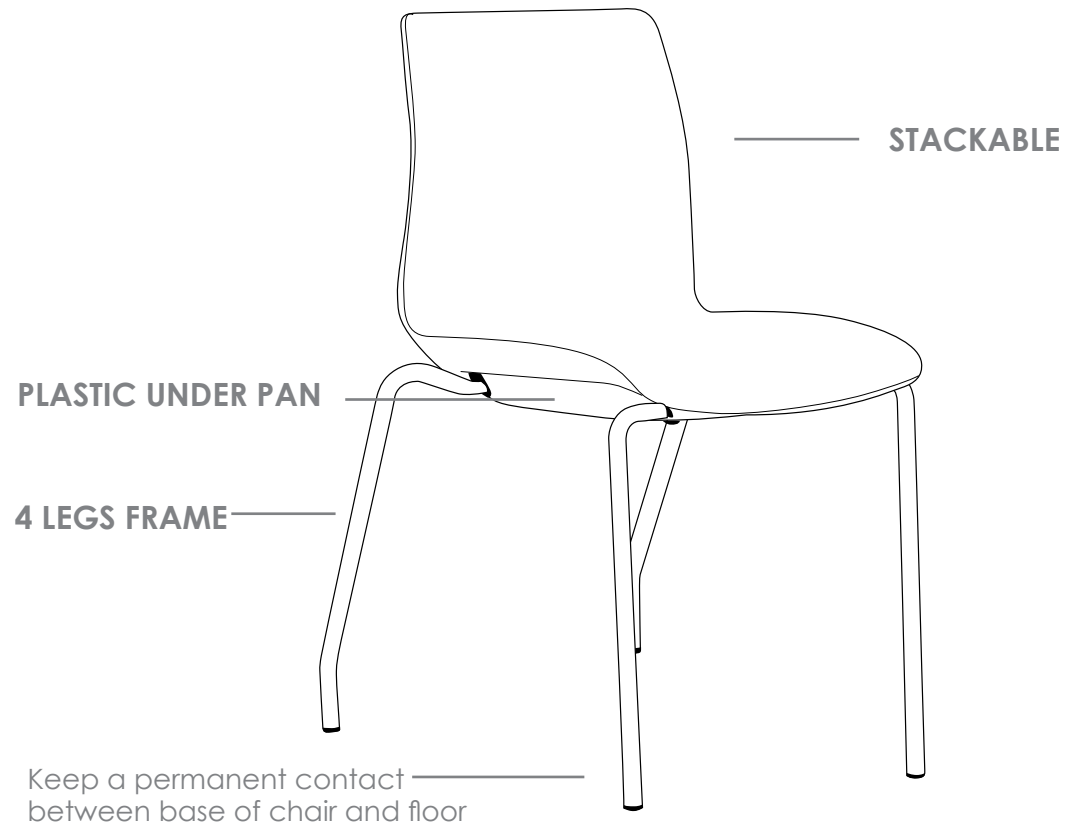
### PLASTIC COLOUR



B-Black R-Red W-White

INDOOR USE ONLY

✗ Do not use as a step ladder



# POD 4 LEGS HOSPITALITY SEATING



POD-4BU



POD-4RUA



POD-4WUT



POD-STWU



POD-STBU



POD-TRL

# R4 HOSPITALITY SEATING

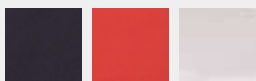
## POD SLED



### FEATURES

- » Optional arms
- » Optional tablet arms
- » Optional black metal trolley, easy to move when stacked
- » Optional 4 legs or sled base chrome frame
- » Available in beam seating
- » Stackable
  - » Maximum 10 chairs on trolley
  - » Maximum 5 chairs on floor
  - » Not stackable with arms or tablet arms
- » Linkable except with tablet arms and arms
- » Plastic under pan
- » Available in local fabrics
- » Available in black, red and white plastic shell
- » Optional frame or base colour (please allow 5 more days)
- » Suitable for indoor use only
- » 4 year warranty
- » Weight limit is 120kg

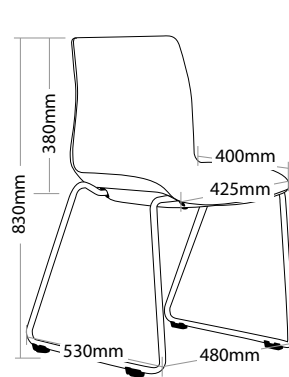
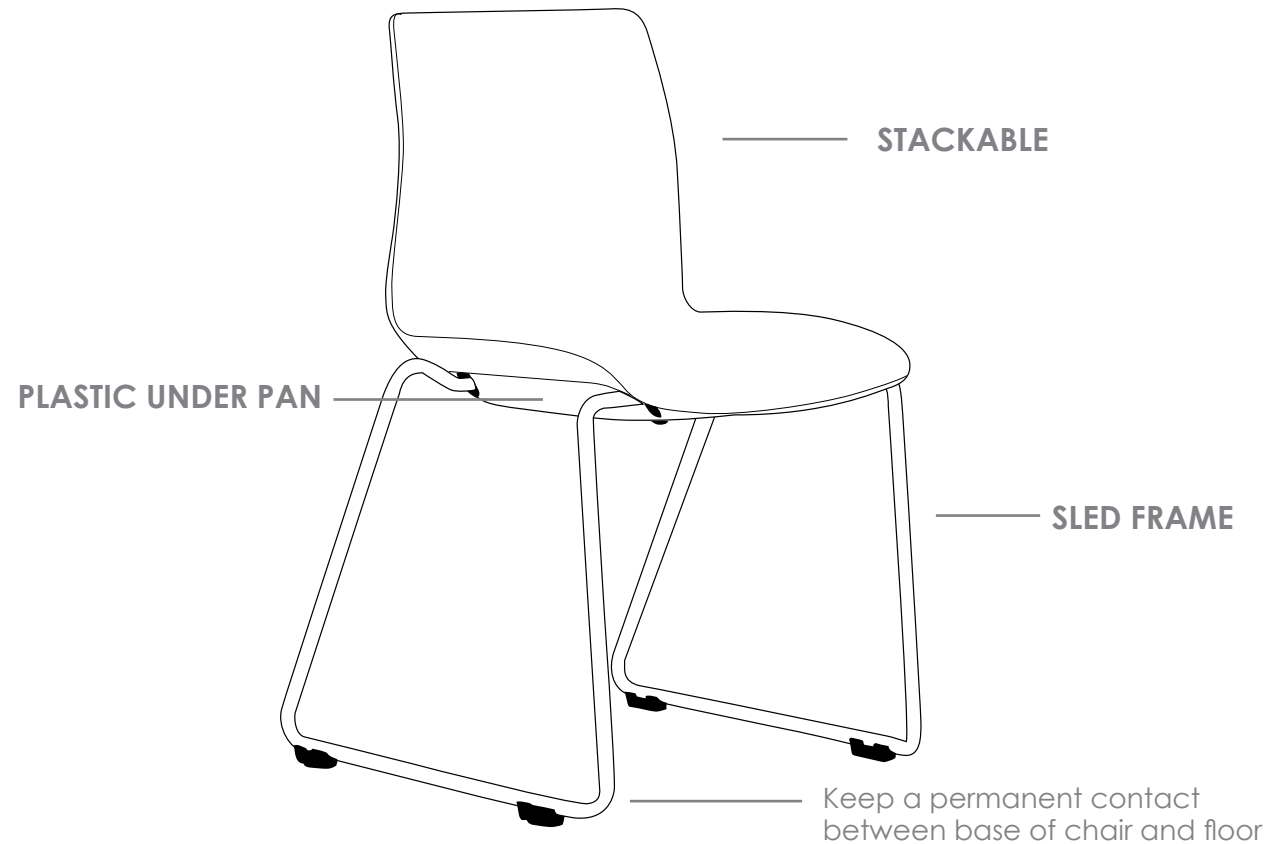
### PLASTIC COLOUR



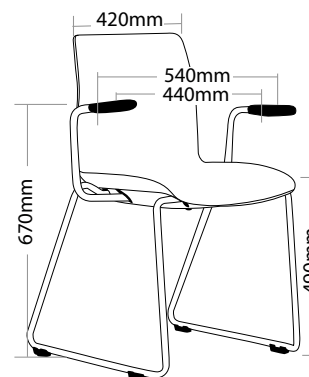
B-Black R-Red W-White

INDOOR USE ONLY

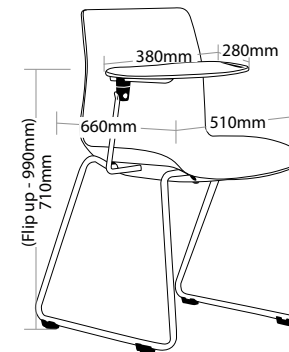
✗ Do not use as a step ladder



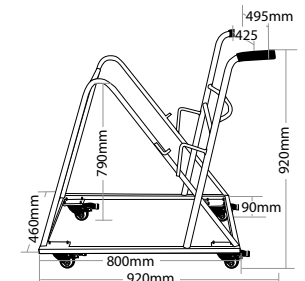
POD-S



POD-SA



POD-ST



POD-TRL

# POD SLED HOSPITALITY SEATING



POD-SBU



POD-SRUA



POD-SWUT



POD-TRL

# R4 HOSPITALITY SEATING

## MAXI 4 LEGS



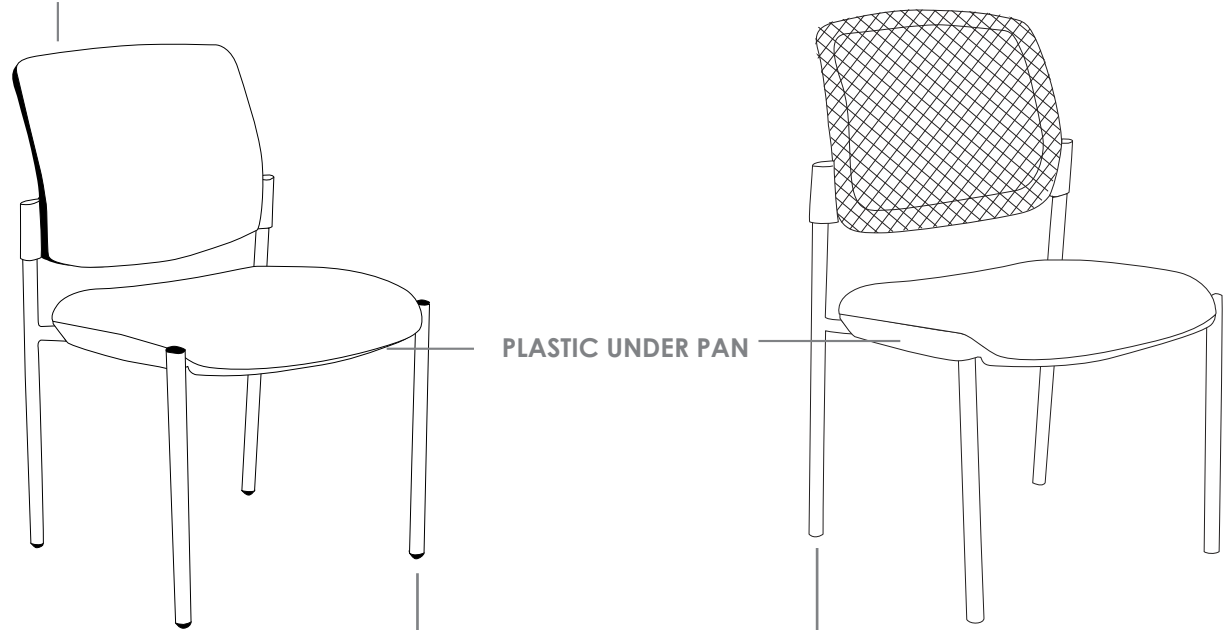
### FEATURES

- » Available with or without arms
- » Available in beam seating
- » Optional black or chrome finish
- » Optional upholstered or mesh back
- » Plastic under pan
- » Plastic outer back (upholstered back only)
- » 4 legs frame
- » Available in local fabrics
- » Back mesh available in Jazz mesh
- » Optional frame or base colour (please allow 5 more days)
- » AFRDI approved to level 6
- » Suitable for indoor use only
- » 5 year warranty
- » Weight limit is 120kg

### INDOOR USE ONLY

✗ Do not use as a step ladder

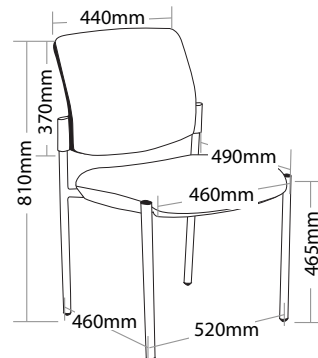
PLASTIC OUTER BACK



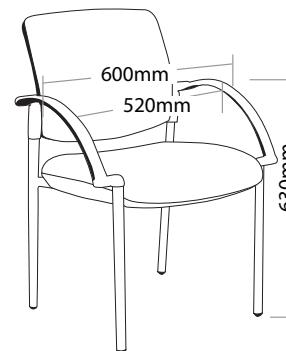
PLASTIC UNDER PAN

4 LEGS FRAME

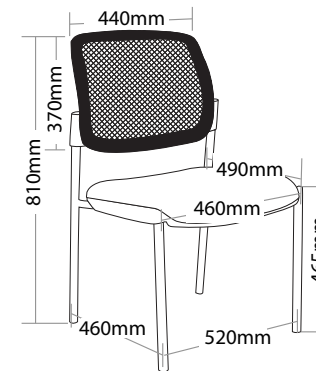
Keep a permanent contact between base of chair and floor



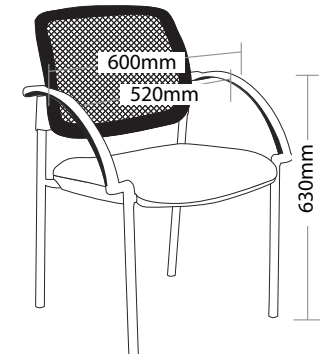
M1



M1-B



MM1



MM1-B

# MAXI 4 LEGS HOSPITALITY SEATING



M1



M1-B



M1-C



M1-BC



MM1



MM1-B



MM1-C



MM1-BC



# R4 HOSPITALITY SEATING

## MAXI SLED

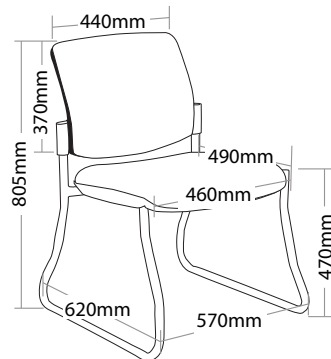
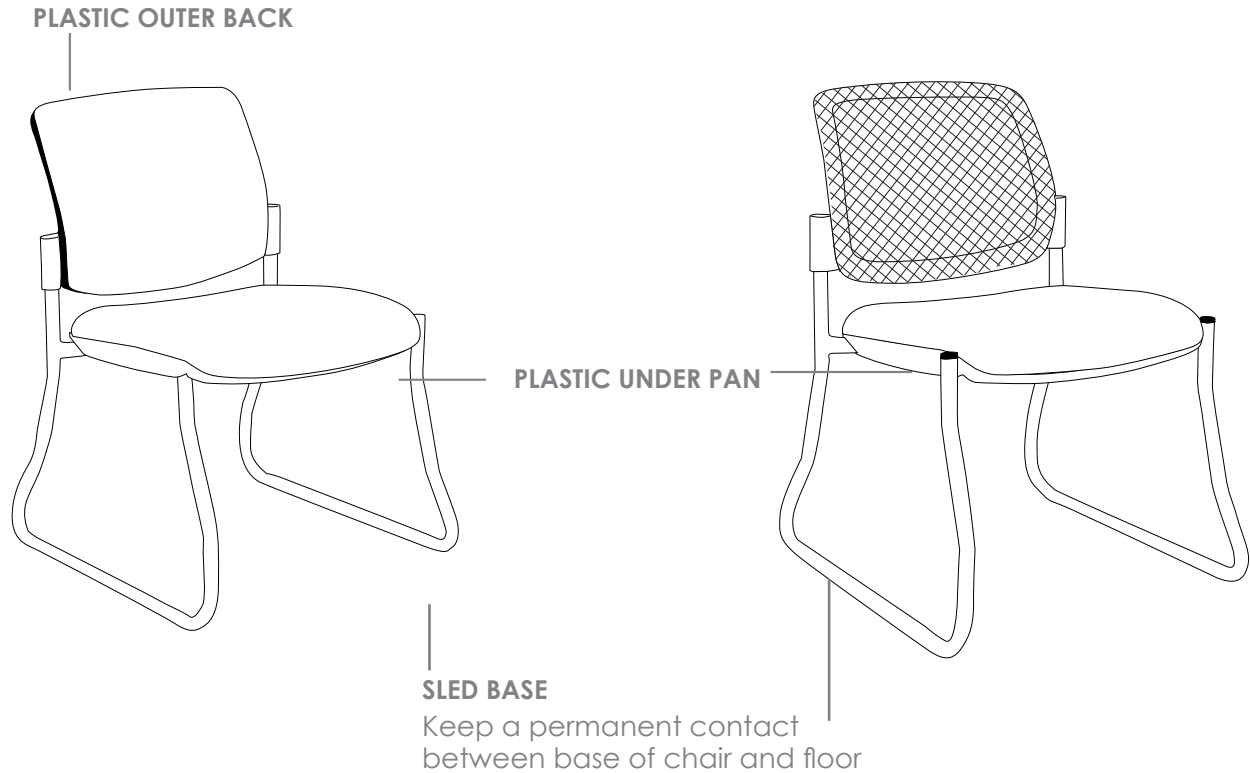


### FEATURES

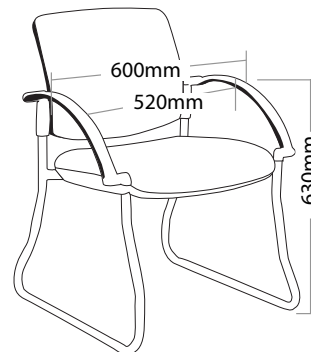
- » Available with or without arms
- » Available in beam seating
- » Optional black or chrome finish
- » Optional upholstered or mesh back
- » Stackable except with arms (Limit of 3)
- » Plastic under pan
- » Plastic outer back (upholstered back only)
- » Sled base frame
- » Available in local fabrics
- » Back mesh available in Jazz mesh
- » Optional frame or base colour (please allow 5 more days)
- » AFRDI approved to level 6
- » Suitable for indoor use only
- » 5 year warranty
- » Weight limit is 120kg

### INDOOR USE ONLY

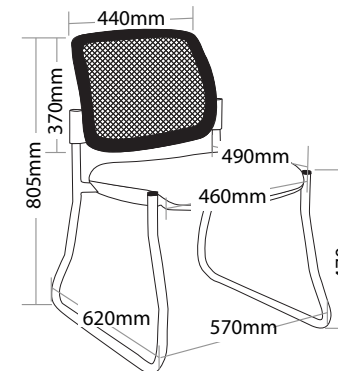
✗ Do not use as a step ladder



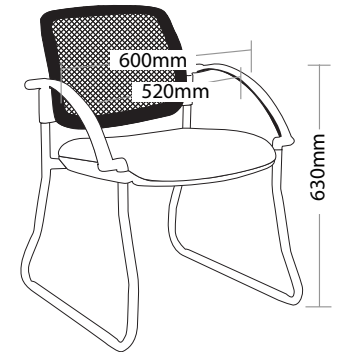
M4



M4-A



MM4



MM4-A

# MAXI SLED

# HOSPITALITY SEATING



M4



M4-A



M4-C



M4-AC



MM4



MM4-A



MM4-C



MM4-AC

# R4 HOSPITALITY SEATING

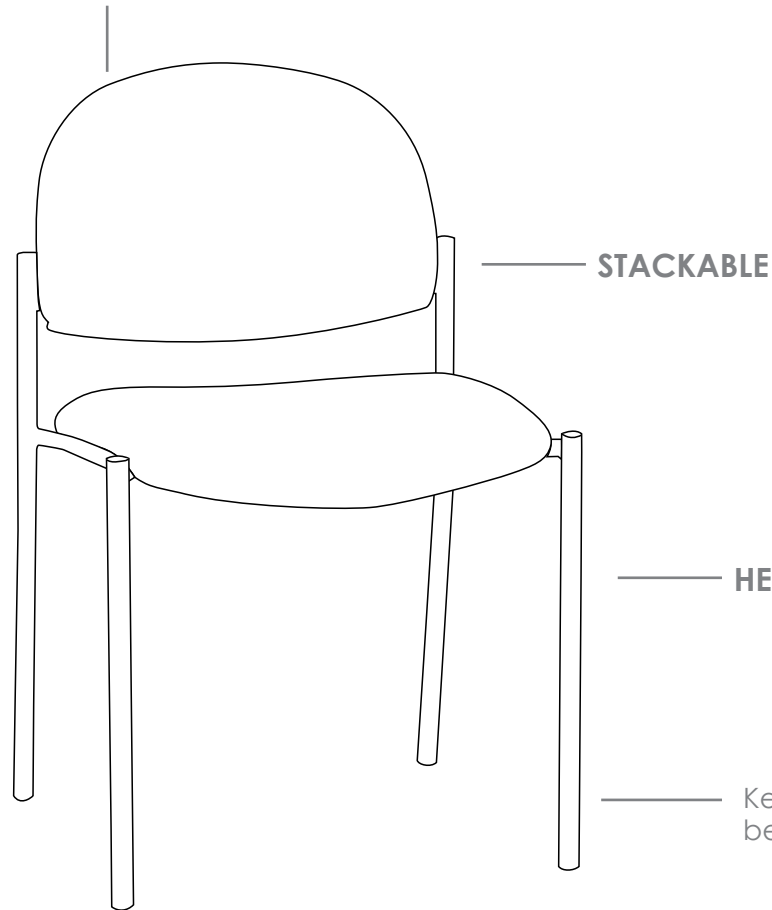
## VERA



### FEATURES

- » Optional 4 leg or sled base
- » Optional round or square back
- » Optional black or chrome finish
- » Optional arms
- » Optional tablet arms
- » Stackable
  - » Maximum 4 chairs with 4 leg base on floor
  - » Maximum 3 chairs with sled base on floor
  - » Not stackable with sled base with arms
  - » Not stackable with tablet arms
- » Heavy duty metal frame
- » Available in local fabrics
- » Optional frame or base colour (please allow 5 more days)
- » Suitable for indoor use only
- » 5 year warranty
- » Weight limit is 120kg

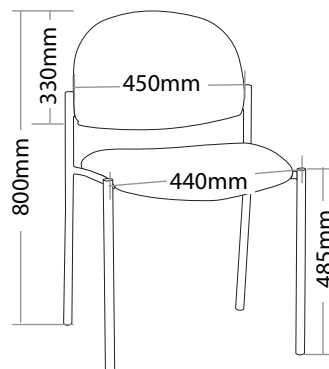
INDOOR USE ONLY



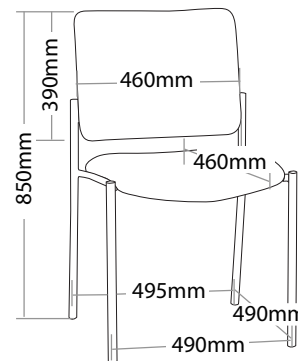
**X** Do not use as a step ladder

HEAVY DUTY METAL FRAME

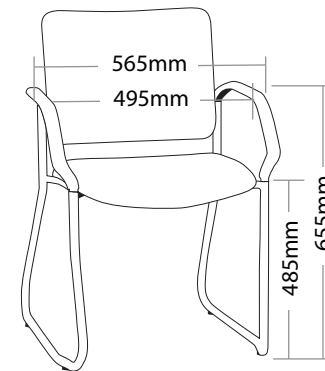
Keep a permanent contact between base of chair and floor



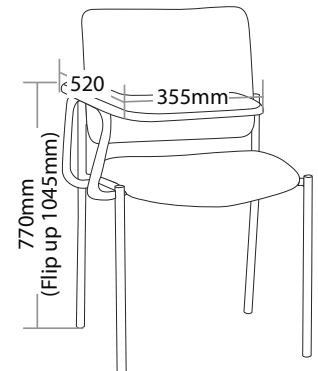
VC100



OGVC100



OGVC400-A



OGVC100-TR

# VERA HOSPITALITY SEATING



VC100



VC400-A



VC400AC



VC100-TR



OGVC100



OGVC100-B



OGVC400-A



OGVC400-TR

# R5 BEAM SEATING

## MAXI

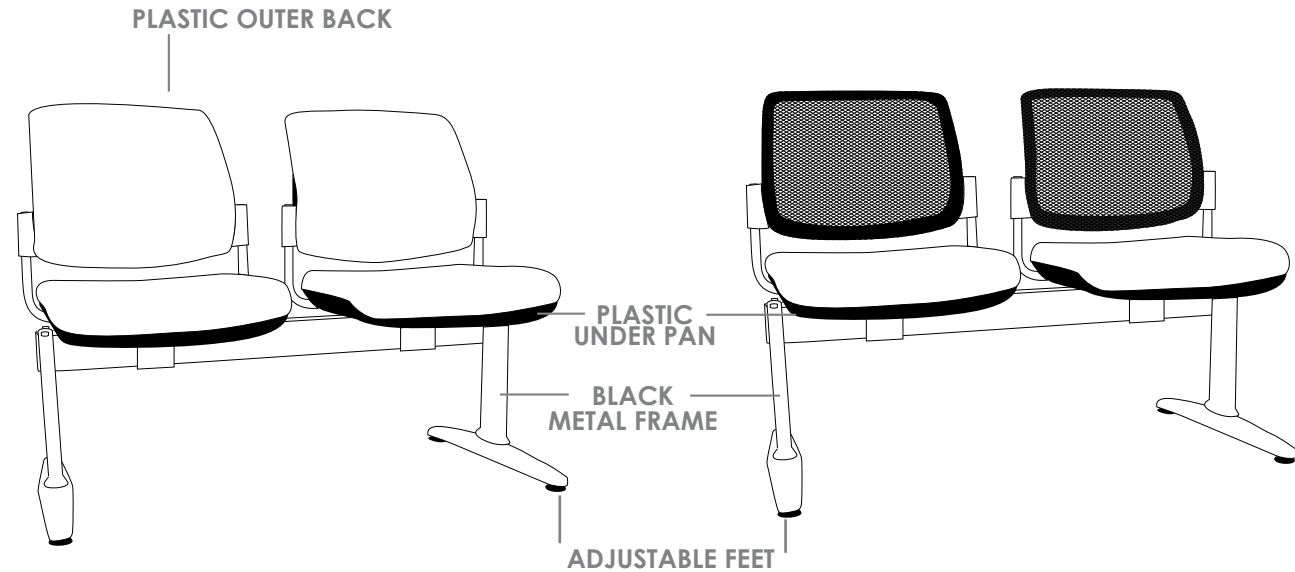
|                              |  |  |  |                             |
|------------------------------|--|--|--|-----------------------------|
| WARRANTY<br><b>4</b><br>Year | WEIGHT LIMIT<br><b>200</b><br>Kilogram | WEIGHT LIMIT<br><b>300</b><br>Kilogram | WEIGHT LIMIT<br><b>350</b><br>Kilogram | UPHOLSTERED<br>IN AUSTRALIA |
|------------------------------|--|--|--|-----------------------------|

### FEATURES

- » Optional 2, 3 or 4 seater
- » Optional fully upholstered back or mesh
- » Plastic under pan
- » Plastic outer back (upholstered back only)
- » Black metal frame
- » Adjustable feet
- » Available in local fabrics
- » Back mesh available in Jazz mesh
- » Suitable for indoor use only
- » 4 year warranty
- » Weight limit for 2 seater is 200kg
- » Weight limit for 3 seater is 300kg
- » Weight limit for 4 seater is 350kg

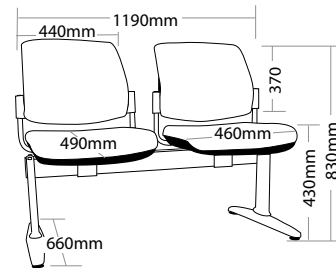
INDOOR USE ONLY

X Do not use as a step ladder

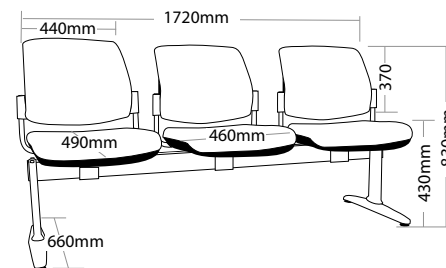


Screw to adjust height

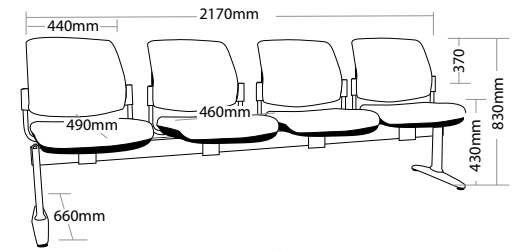
Keep a permanent contact between base of chair and floor



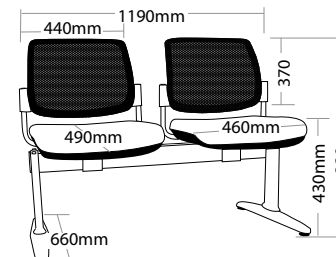
M-BEAM 2



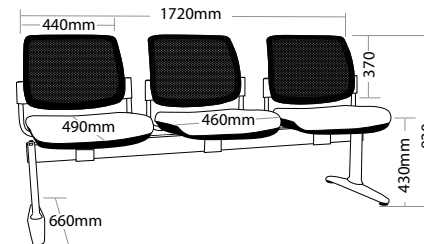
M-BEAM 3



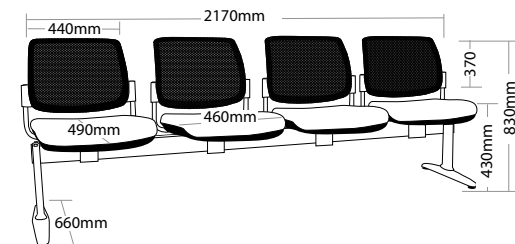
M-BEAM 4



MM-BEAM 2



MM-BEAM 3



MM-BEAM 4

# MAXI BEAM SEATING



M-BEAM 2



M-BEAM 3



M-BEAM 4



MM-BEAM 2



MM-BEAM 3



MM-BEAM 4

# R5 BEAM SEATING

## FOCUS



### FEATURES

- » Optional 2 or 3 seater
- » Fully welded black metal frame
- » Twin seat support bars
- » Adjustable feet
- » Available in local fabrics
- » Suitable for indoor use
- » 4 year warranty
- » Weight limit for 2 seater is 200kg
- » Weight limit for 3 seater is 300kg

INDOOR USE ONLY

✗ Do not use as a step ladder

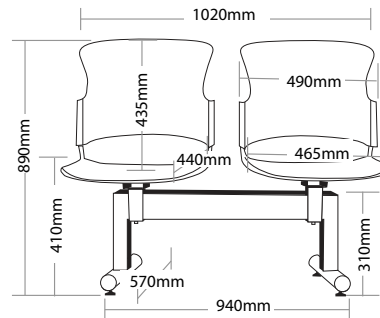


TWIN SEAT SUPPORT BARS

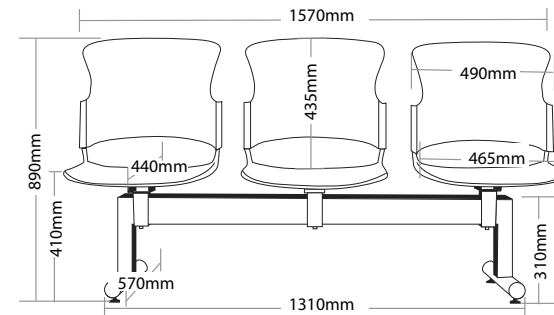
FULLY WELDED BLACK METAL FRAME

ADJUSTABLE FEET  
Screw to adjust the height

Keep a permanent contact between base of chair and floor



F-BEAM 2



F-BEAM 3



# FOCUS BEAM SEATING



F-BEAM 2U



F-BEAM 3U

# R5 BEAM SEATING

## VINN

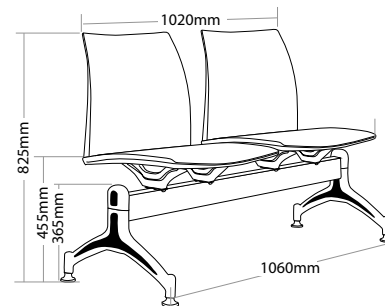
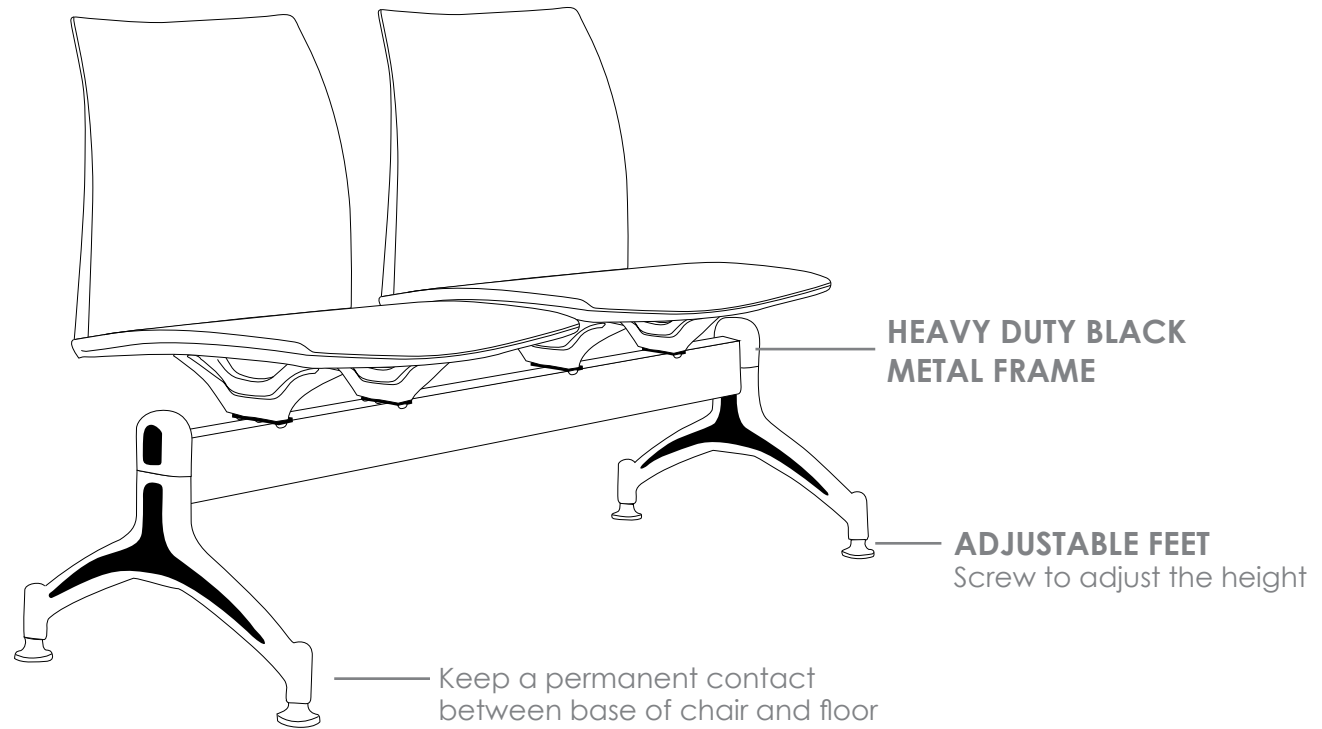
|                                     |   |   |   |                                 |
|-------------------------------------|---|---|---|---------------------------------|
| <b>WARRANTY</b><br><b>4</b><br>Year | <b>WEIGHT LIMIT</b><br><b>180</b><br>Kilogram | <b>WEIGHT LIMIT</b><br><b>250</b><br>Kilogram | <b>WEIGHT LIMIT</b><br><b>300</b><br>Kilogram | <b>UPHOLSTERED IN AUSTRALIA</b> |
|-------------------------------------|---|---|---|---------------------------------|

### FEATURES

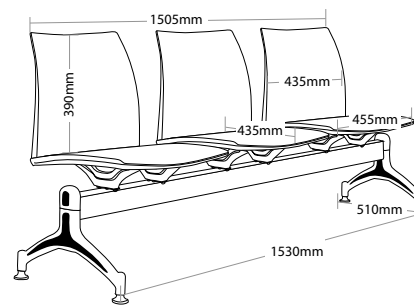
- » Optional 2, 3 or 4 seater
- » Optional plastic or mesh back
- » Heavy duty black metal beam frame
- » Black plastic
- » Adjustable feet
- » Available in local fabrics
- » Back mesh available in Jazz fabric
- » Suitable for indoor use
- » 4 year warranty
- » Weight limit for 2 seater is 180kg
- » Weight limit for 3 seater is 250kg
- » Weight limit for 4 seater is 300kg

**X** Do not use as a step ladder

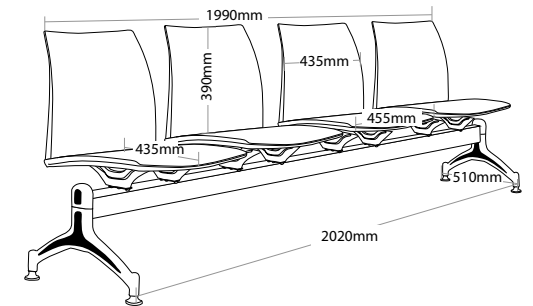
INDOOR USE ONLY



V-BEAM 2



V-BEAM 3



V-BEAM 4

# VINN BEAM SEATING



V-BEAM 2U



V-BEAM 3U



V-BEAM 4U



V-BEAM 2MU



V-BEAM 3MU



V-BEAM 4MU

# R5 BEAM SEATING

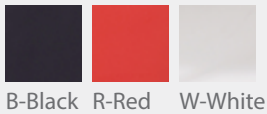
## POD



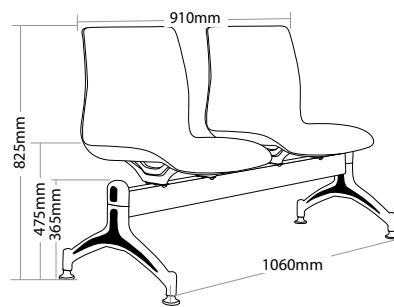
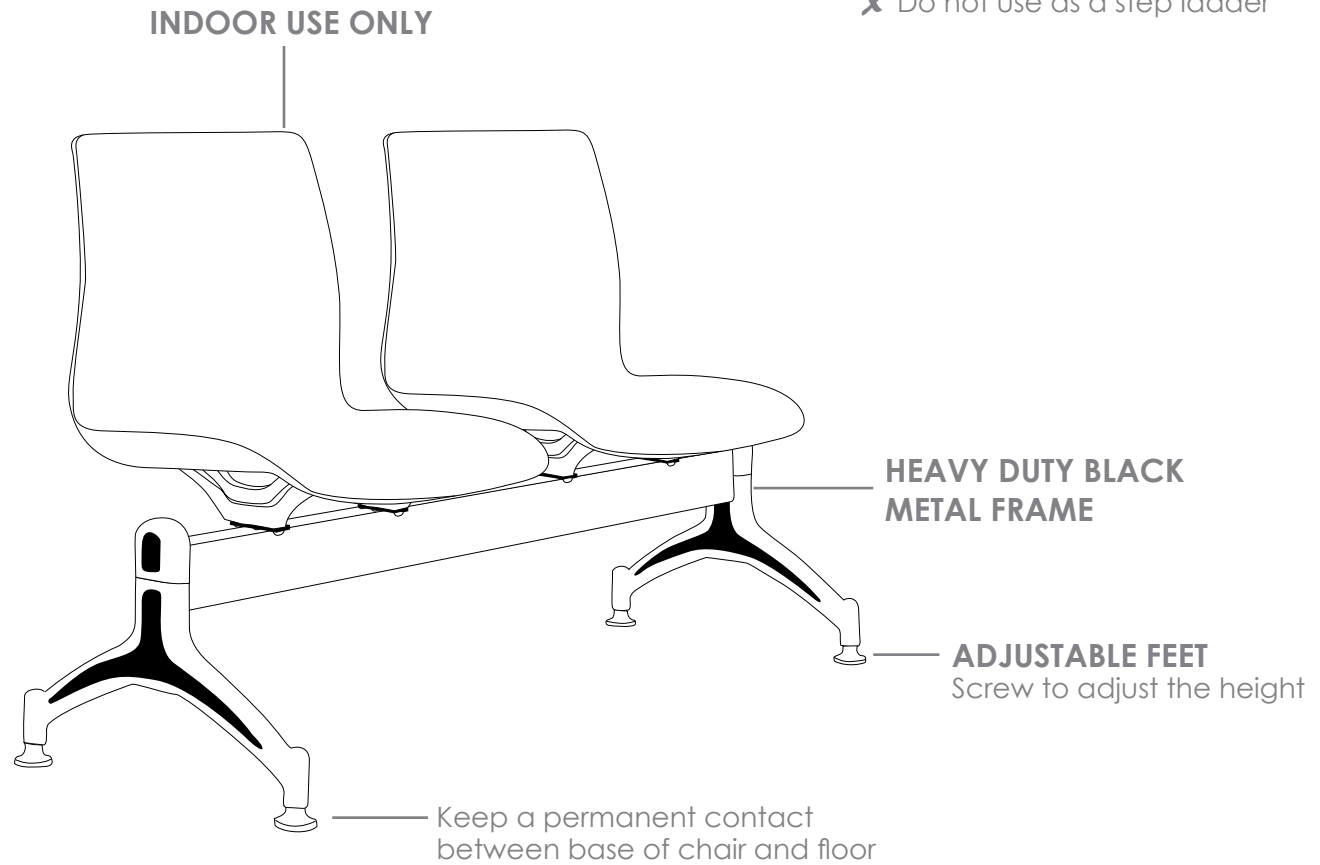
### FEATURES

- » Optional 2, 3 or 4 seater
- » Heavy duty black metal beam frame
- » Adjustable feet
- » Available in local fabrics
- » Available in black, red and white plastic only
- » Suitable for indoor use
- » 4 Year warranty
- » Weight limit for 2 seater is 200kg
- » Weight limit for 3 seater is 300kg
- » Weight limit for 4 seater is 350kg

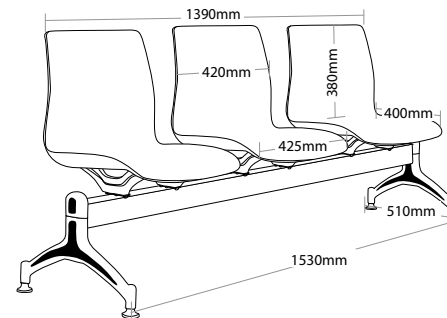
### PLASTIC COLOUR



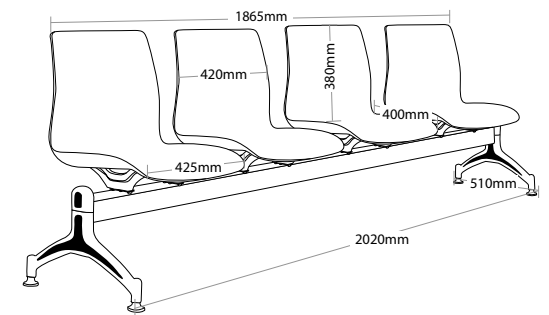
**X** Do not use as a step ladder



P-BEAM 2



P-BEAM 3



P-BEAM 4

# POD BEAM SEATING



P-BEAM 2BU



P-BEAM 3RU



P-BEAM 4WU

# R6 BREAKOUT SEATING

## SMOKE

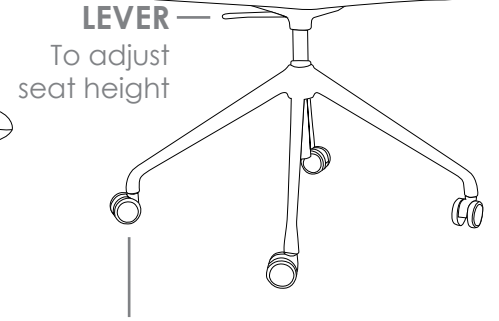


### FEATURES

- » Adjustable seat height with 4 star base, black base and black base with castors
- » Optional chrome 4 legs frame
- » Optional sled base chrome frame
- » Optional 700mm aluminium 4 star base
- » Optional timber legs with natural finish
- » Optional timber legs with black finish
- » Optional black base with or without castors
- » Fully upholstered
- » High density foam
- » Plywood shell
- » Available in local fabrics
- » Optional frame or base colour (please allow 5 more days)
- » Suitable for indoor use only
- » 5 year warranty
- » Weight limit is 130kg

### INDOOR USE ONLY

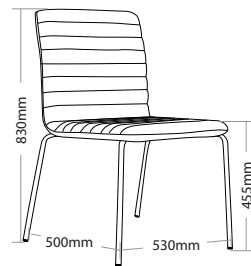
**X** Do not use as a step ladder



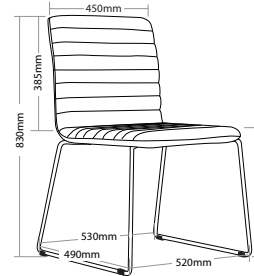
### BLACK BASE WITH CASTORS

Keep a permanent contact between base of chair and floor

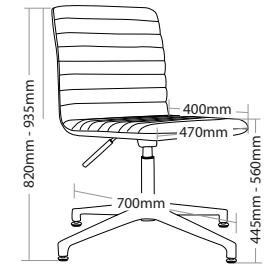
Keep a permanent contact between base of chair and floor



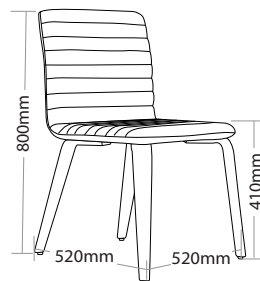
SMOKE-4L



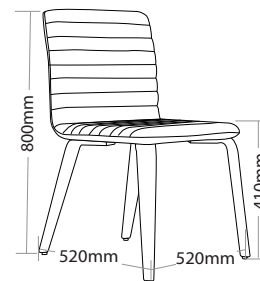
SMOKE-SB



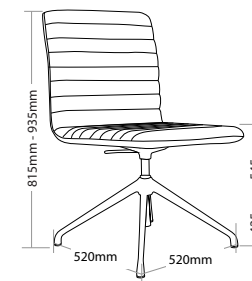
SMOKE-AB



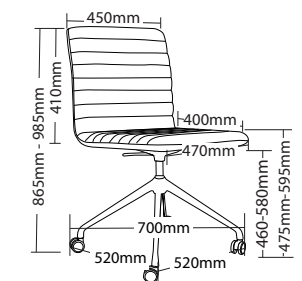
SMOKE-BL



SMOKE-NL



SMOKE-BB



SMOKE-BBC

# **SMOKE** BREAKOUT SEATING



SMOKE-4L



SMOKE-SB



SMOKE-AB



SMOKE-NL



SMOKE-BL



SMOKE-BB



SMOKE-BBC



# R6 BREAKOUT SEATING

## YARD

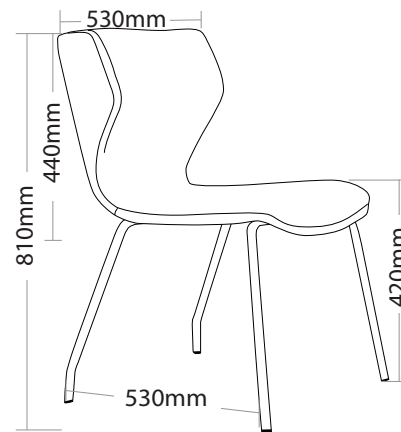
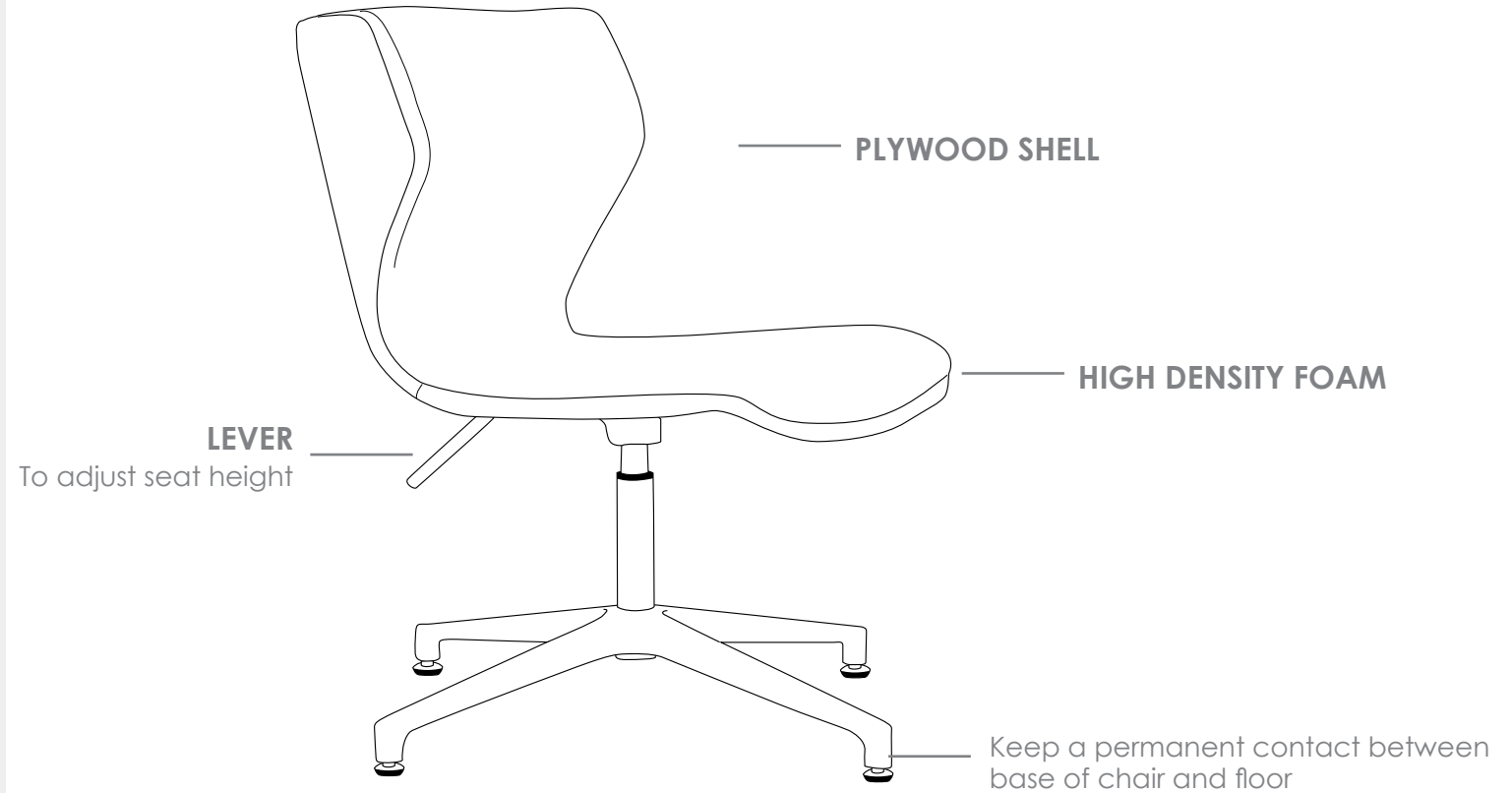


### FEATURES

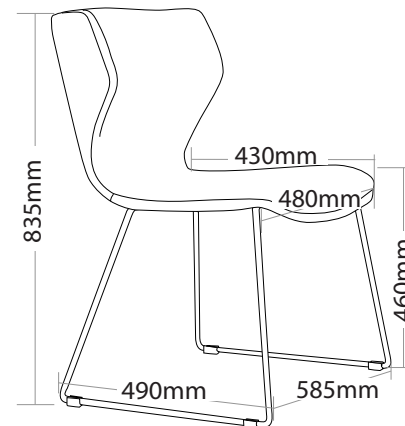
- » Adjustable seat height with 4 star base
- » Optional 660mm aluminium 4 star base
- » Optional chrome sled base
- » Optional chrome 4 legs frame
- » High density foam
- » Plywood shell
- » Available in local fabrics
- » Optional frame or base colour (please allow 5 more days)
- » Suitable for indoor use only
- » 3 year warranty
- » Weight limit is 130kg

### INDOOR USE ONLY

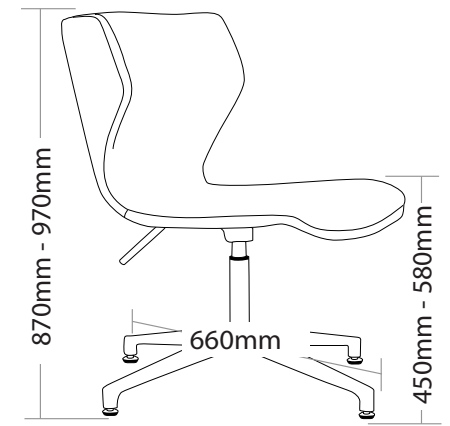
✘ Do not use as a step ladder



YARD-4L



YARD-SB



YARD-AB

# **YARD** BREAKOUT SEATING



YARD-4L



YARD-SB



YARD-AB

# R6 BREAKOUT SEATING

## RIDGE

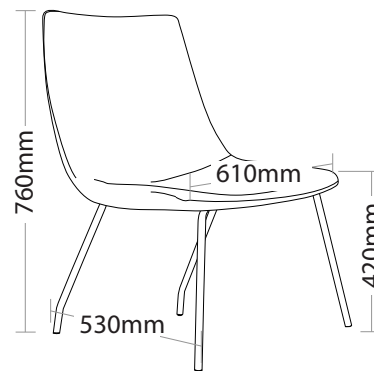
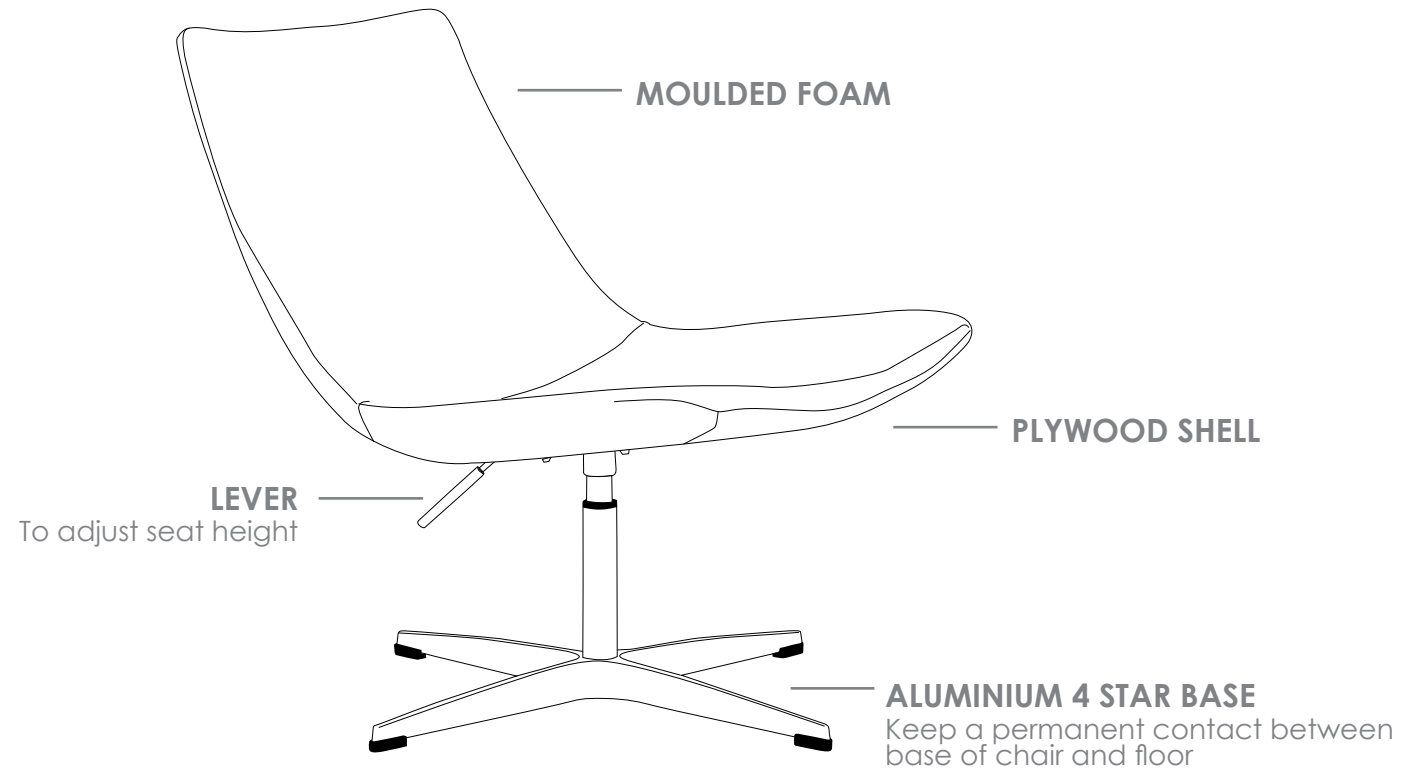


### FEATURES

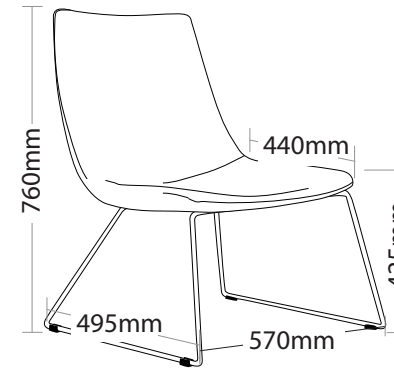
- » Adjustable seat height with 4 star base
- » Optional 680mm aluminium 4 star base
- » Optional solid rod sled chrome base
- » Optional chrome 4 legs frame
- » Moulded foam
- » Plywood shell
- » Available in local fabrics
- » Optional frame or base colour (please allow 5 more days)
- » Suitable for indoor use only
- » 5 year warranty
- » Weight limit is 130kg

INDOOR USE ONLY

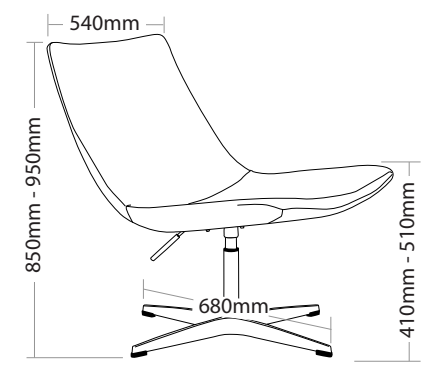
✗ Do not use as a step ladder



RIDGE-4L



RIDGE-SB



RIDGE-AB

# RIDGE BREAKOUT SEATING



RIDGE-4L



RIDGE-SB



RIDGE-AB

# R6 BREAKOUT SEATING

## VERO

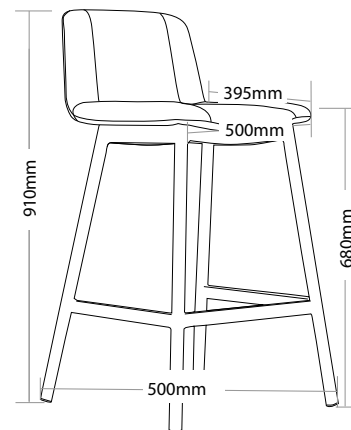
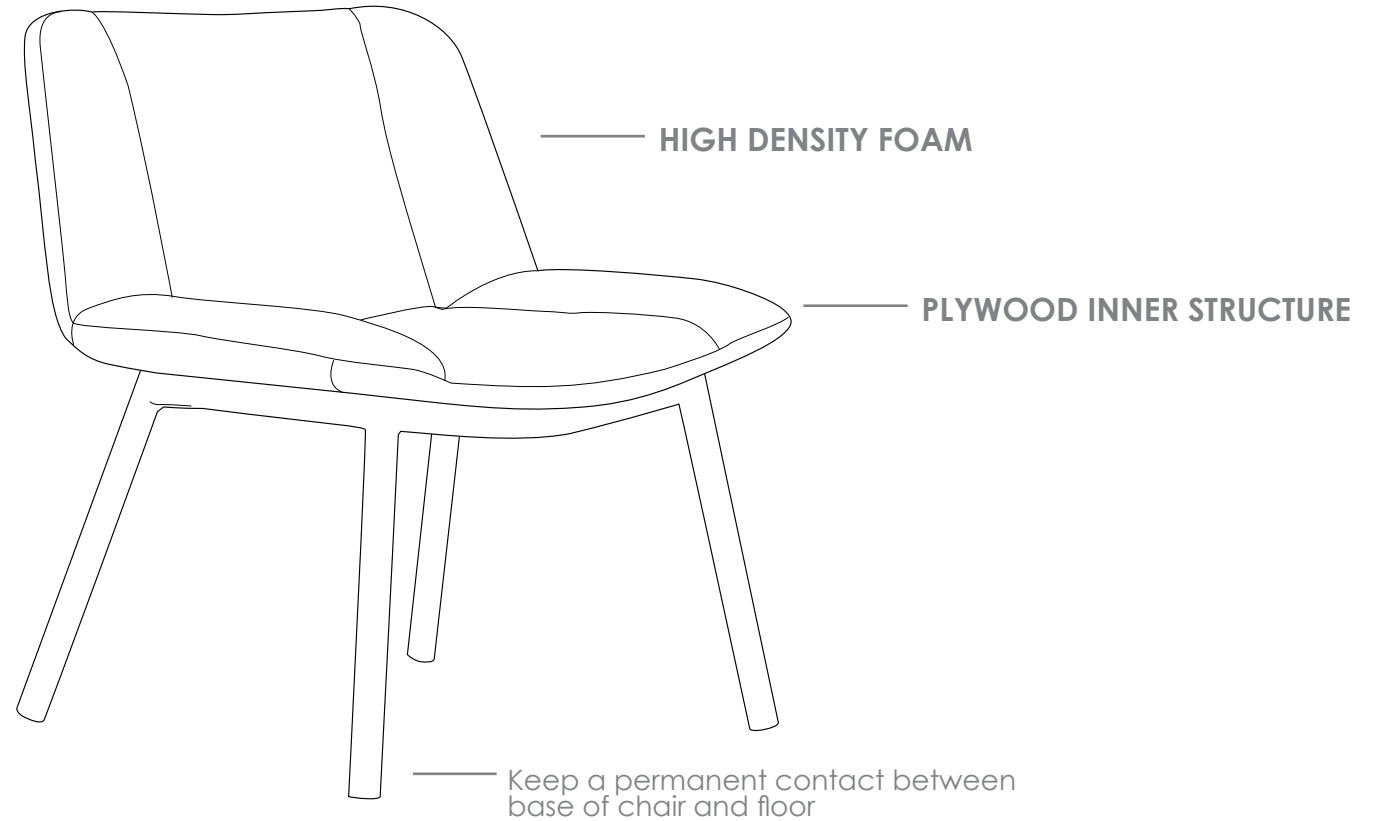


### FEATURES

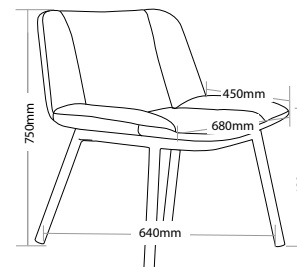
- » Optional black or timber finish
- » Plywood inner structure
- » High density foam
- » Steel frame
- » Available in local fabrics
- » Optional frame or base colour (please allow 5 more days)
- » Suitable for indoor use only
- » 5 year warranty
- » Weight limit is 130kg

INDOOR USE ONLY

X Do not use as a step ladder



VERO-ST



VERO-CH

# VERO BREAKOUT SEATING



VERO-STB



VERO-STT



VERO-CHB



VERO-CHT

# R6 BREAKOUT SEATING

## GOLD

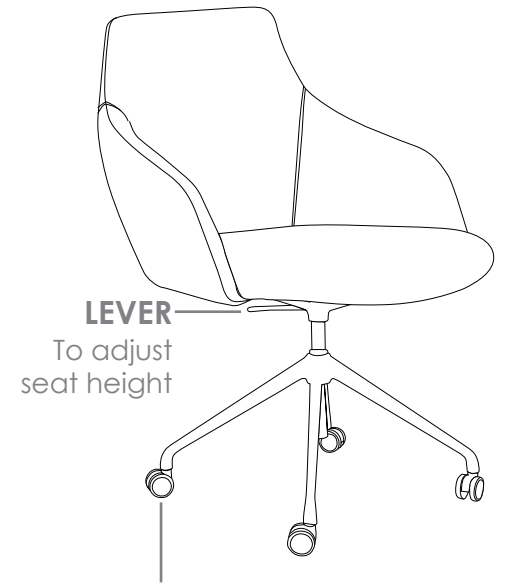


### FEATURES

- » Adjustable seat height with 4 star base, black base and black base with castors
- » Optional chrome sled base
- » Optional chrome 4 leg frame
- » Optional 700mm aluminium 4 star base
- » Optional timber legs with natural finish
- » Optional timber legs with black finish
- » Optional black base with or without castors
- » High density foam
- » Plywood shell
- » Available in local fabrics
- » Optional frame or base colour (please allow 5 more days)
- » Suitable for indoor use only
- » 5 year warranty
- » Weight limit is 130kg

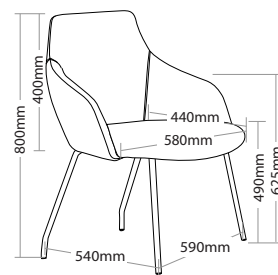
### INDOOR USE ONLY

**X** Do not use as a step ladder

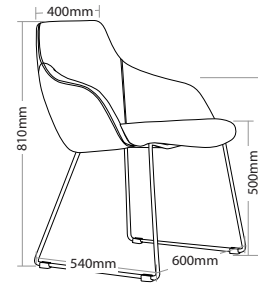


**BLACK BASE WITH CASTORS**  
Keep a permanent contact between base of chair and floor

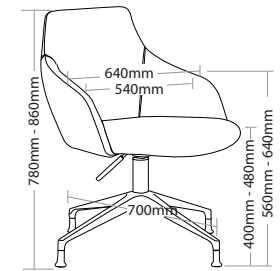
Keep a permanent contact between base of chair and floor



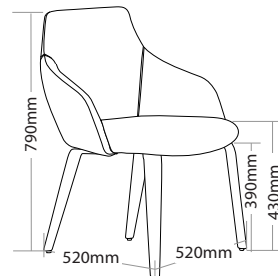
GOLD-4L



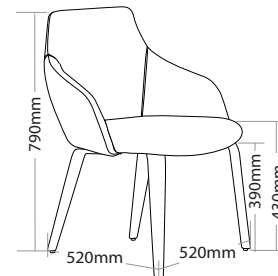
GOLD-SB



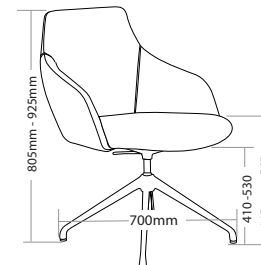
GOLD-AB



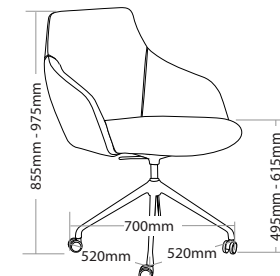
GOLD-BL



GOLD-NL



GOLD-BB



GOLD-BBC

# **GOLD** BREAKOUT SEATING



GOLD-4L



GOLD-SB



GOLD-AB



GOLD-NL



GOLD-BL



GOLD-BB



GOLD-BBC



# R6 BREAKOUT SEATING

## JUNE

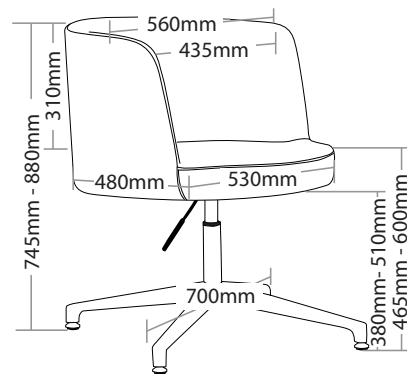
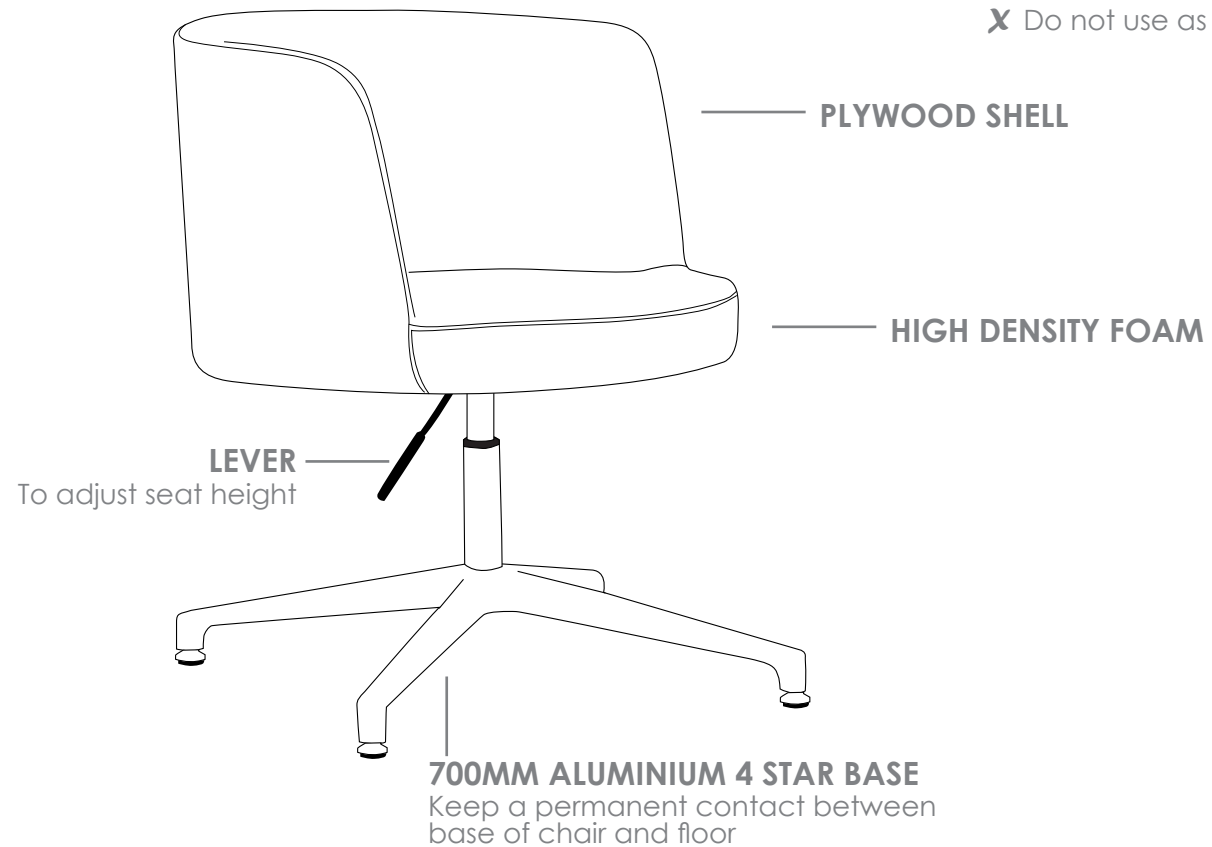


### FEATURES

- » Adjustable seat height
- » High density foam
- » 700mm aluminium 4 star base
- » Plywood shell
- » Available in local fabrics
- » Optional frame or base colour (please allow 5 more days)
- » Suitable for indoor use
- » 5 Year warranty
- » Weight limit is 120kg

INDOOR USE ONLY

✗ Do not use as a step ladder



JUNE

# JUNE BREAKOUT SEATING



JUNE



SIDE VIEW



BACK VIEW

# R6 BREAKOUT SEATING

## TIME

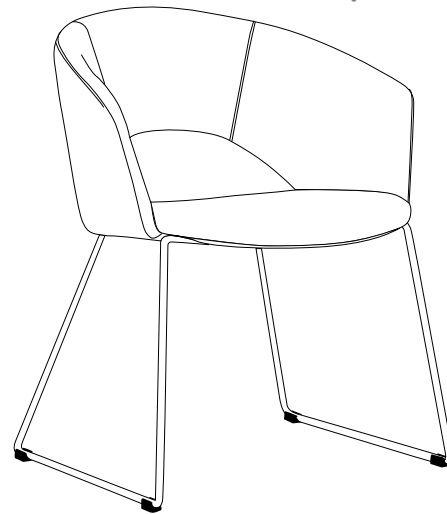


### FEATURES

- » Adjustable seat height with black base and black base with castors
- » Optional solid rod base sled chrome frame
- » Optional timber legs with natural finish
- » Optional timber legs with black finish
- » Optional black base with or without castors
- » High density foam
- » Moulded back foam
- » Plywood shell
- » Available in local fabrics
- » Optional frame or base colour (please allow 5 more days)
- » Suitable for indoor use only
- » 5 year warranty
- » Weight limit is 120kg

### INDOOR USE ONLY

**X** Do not use as a step ladder



**LEVER**

To adjust seat height

Keep a permanent contact between base of chair and floor

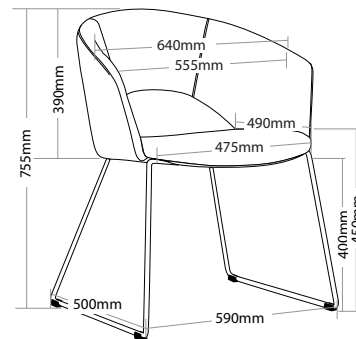
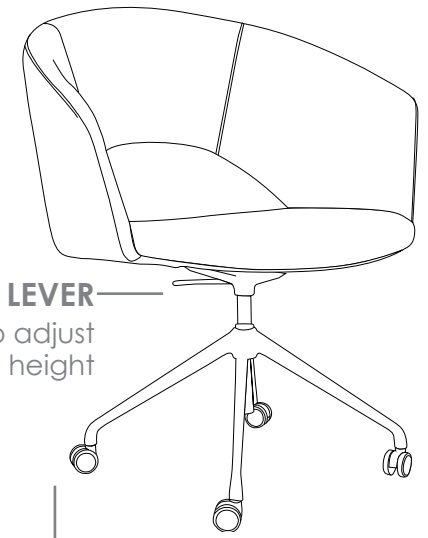


**LEVER**

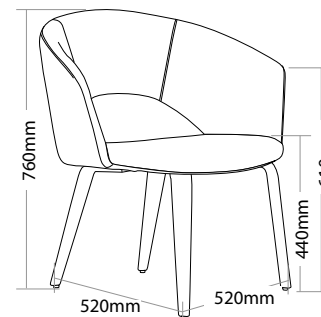
To adjust seat height

**BLACK BASE WITH CASTORS**

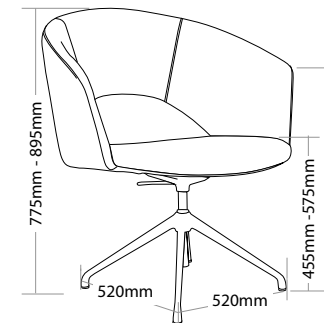
Keep a permanent contact between base of chair and floor



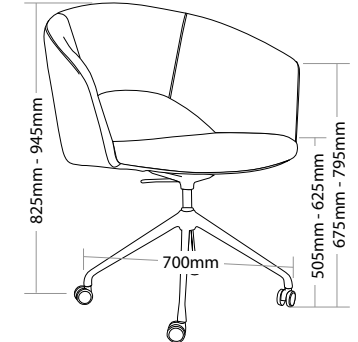
TIME



TIME-BL/NL



TIME-BB



TIME-BBC

# TIME BREAKOUT SEATING



TIME-U



TIME-NL



TIME-BL



TIME-BB



TIME-BBC

# R6 BREAKOUT SEATING

## OPERA

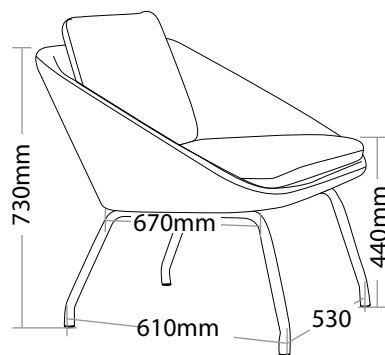
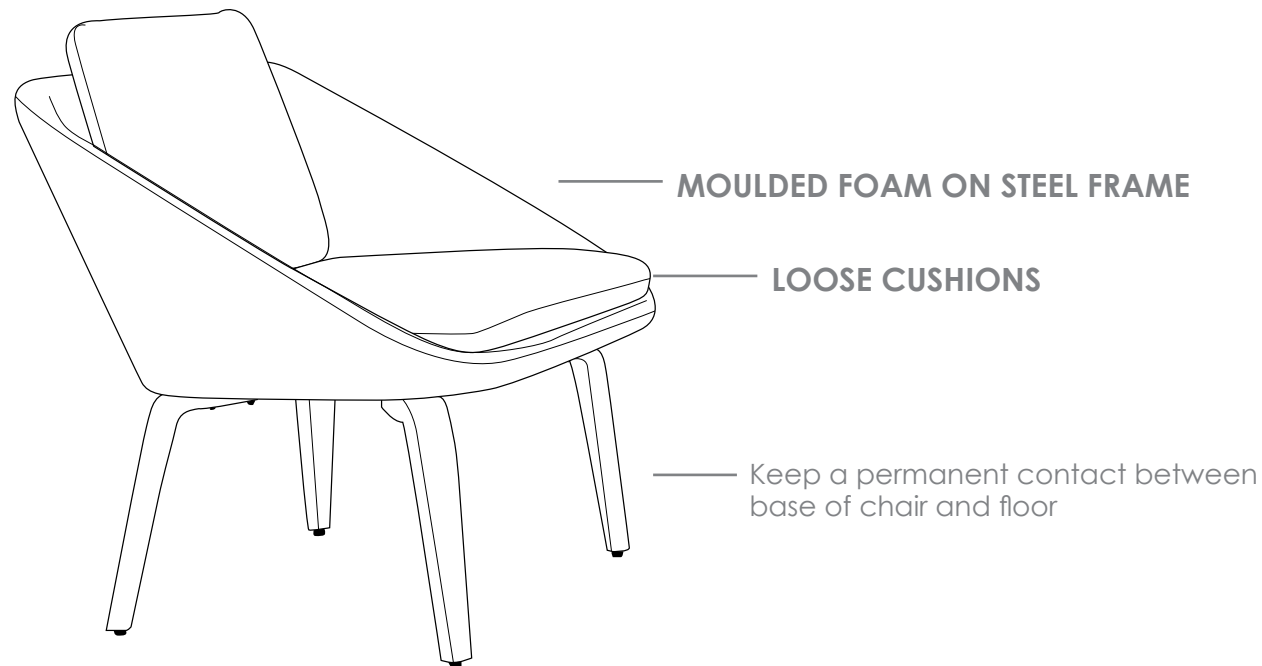


### FEATURES

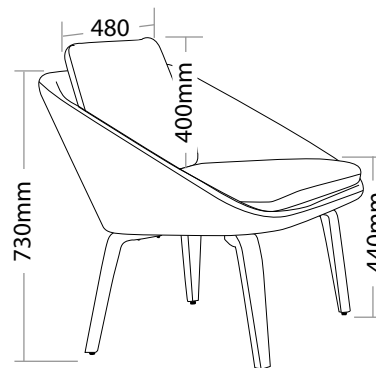
- » Optional timber legs
- » Optional 700mm high arch aluminium 4 star base
- » Optional chrome 4 leg frame
- » Loose back and seat cushions
- » Moulded foam on steel frame
- » Available in local fabrics
- » Optional frame or base colour (please allow 5 more days)
- » Suitable for indoor use only
- » 5 year warranty
- » Weight limit is 120kg

### INDOOR USE ONLY

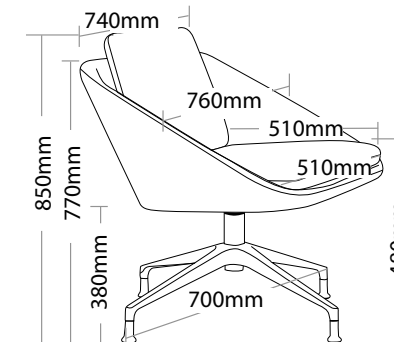
✗ Do not use as a step ladder



OPERA-4L



OPERA-TL



OPERA-AB

# OPERA BREAKOUT SEATING



OPERA-4L



OPERA-TL



OPERA-AB

# R6 BREAKOUT SEATING

## LEAF



### FEATURES

#### LEAF-L/LEAF-H FEATURES

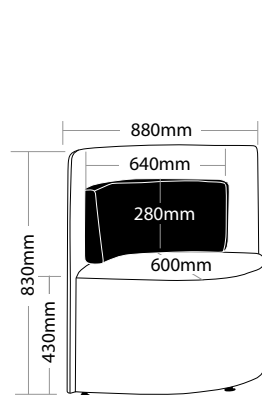
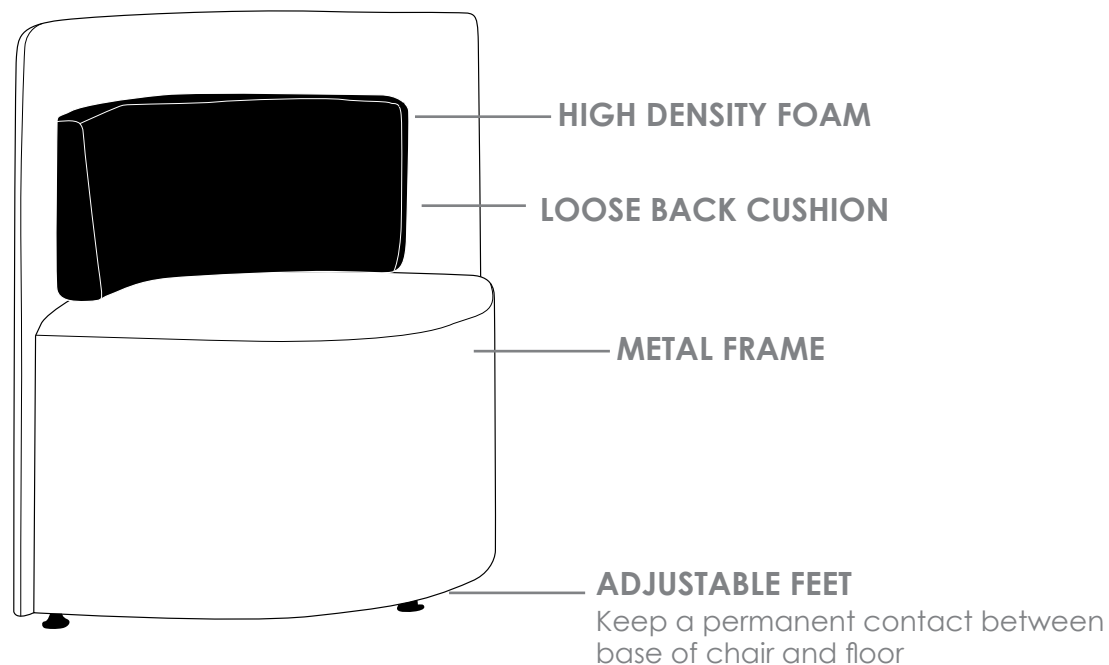
- » Available in high and low back
- » High density foam
- » Loose back cushion
- » Metal frame
- » Adjustable feet
- » Available in local fabrics
- » Suitable for indoor use only
- » 3 year warranty
- » Weight limit is 120kg

#### TABLE FEATURES

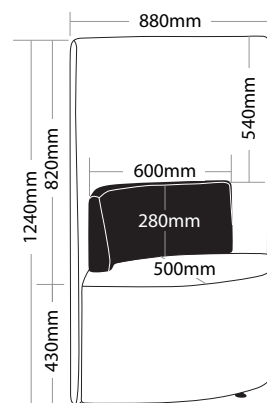
- » MDF white top
- » Chrome frame
- » 3 year warranty

### INDOOR USE ONLY

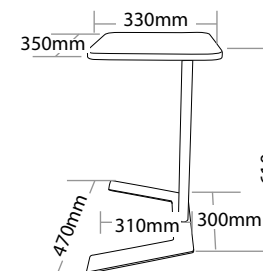
✘ Do not use as a step ladder



LEAF-L



LEAF-H



LEAF-T

# LEAF BREAKOUT SEATING



LEAF-L



LEAF-H



LEAF-T



TOP VIEW



GROUP



# R7 OTTOMANS

## PLAY

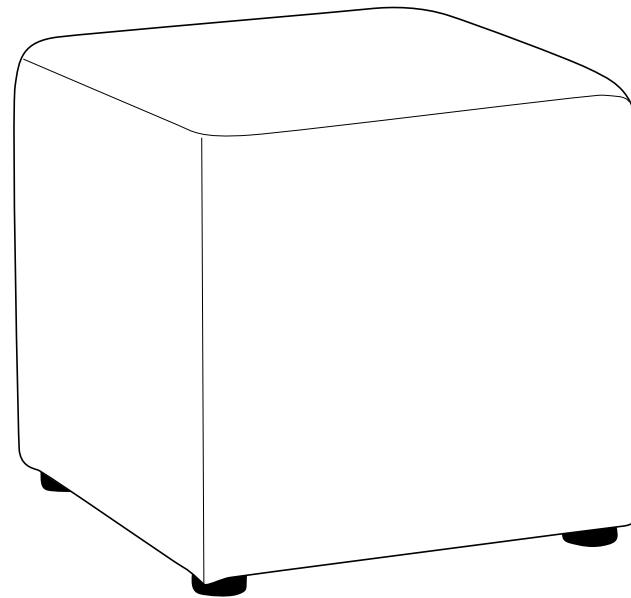


### FEATURES

- » Available in 2 options only
- » High density foam
- » Solid timber frame
- » Plastic legs
- » Available in local fabrics
- » Suitable for indoor use only
- » 3 year warranty
- » Weight limit is 120kg

### INDOOR USE ONLY

✘ Do not use as a step ladder

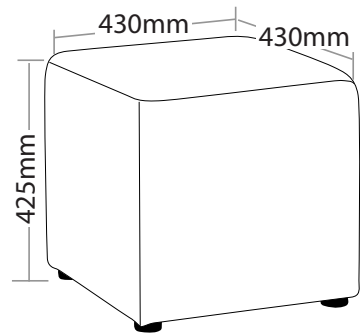


— SOLID TIMBER FRAME

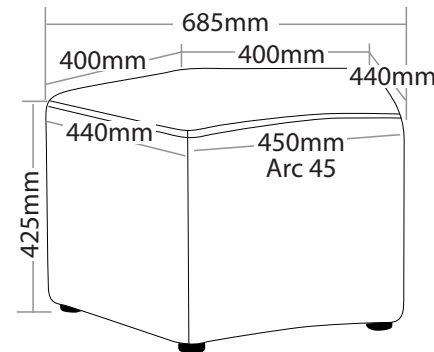
— HIGH DENSITY FOAM

— PLASTIC LEGS

Keep a permanent contact between base of chair and floor



PLAY-1



PLAY-2

# PLAY



PLAY-1



PLAY-2



GROUP

# R7 OTTOMANS

## OLA

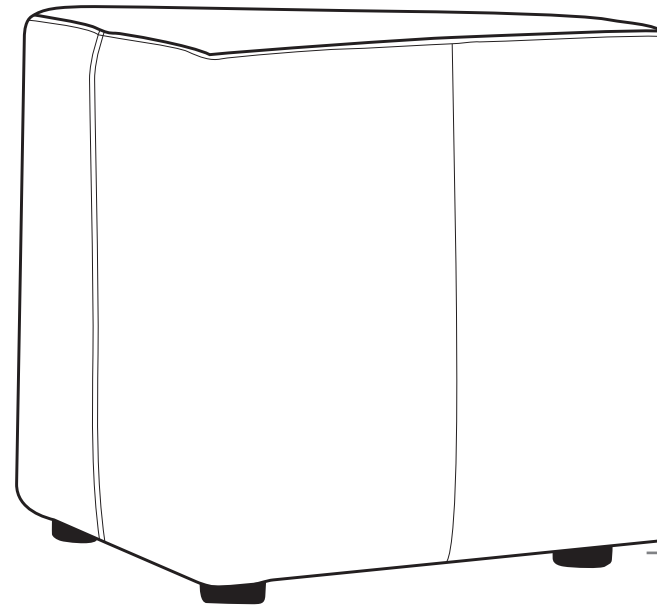


### FEATURES

- » Available in triangle, round and square shape
- » High density foam
- » Solid timber frame
- » Plastic legs
- » Available in local fabrics
- » Suitable for indoor use only
- » 3 year warranty
- » Weight limit is 120kg

### INDOOR USE ONLY

✘ Do not use as a step ladder

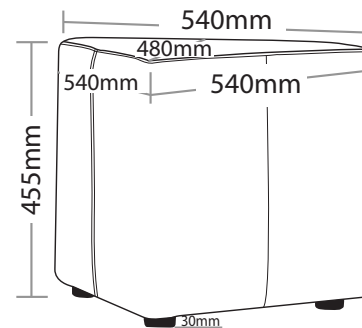


SOLID TIMBER FRAME

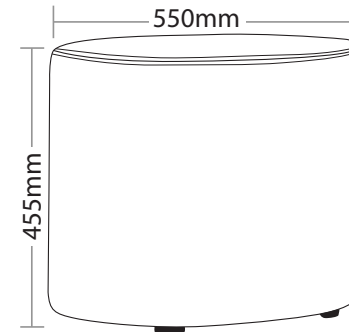
HIGH DENSITY FOAM

PLASTIC LEGS

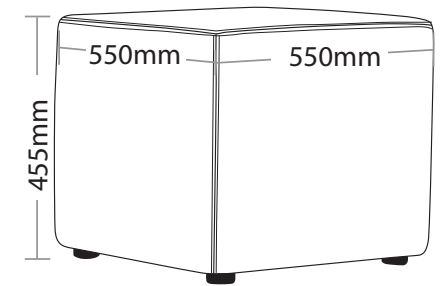
Keep a permanent contact between base of chair and floor



OLA-T



OLA-R



OLA-S

# OLA



OLA-T



OLA-R



OLA-S

# R7 OTTOMANS

## CLIP

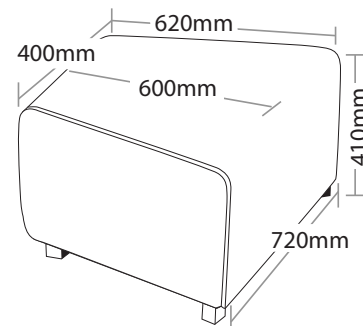
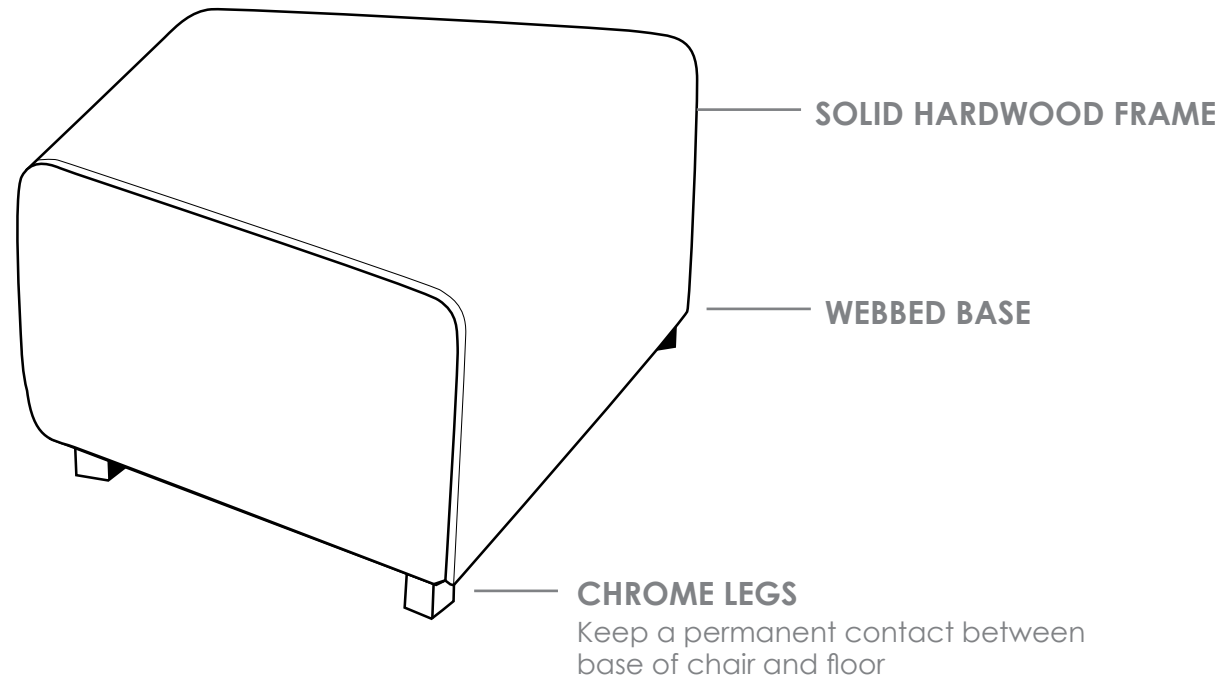


### FEATURES

- » Zig zag steel spring
- » Solid hardwood frame
- » Webbed base
- » Chrome legs
- » Available in local fabrics
- » Optional frame or base colour (please allow 5 more days)
- » Suitable for indoor use only
- » 3 year warranty
- » Weight limit is 130kg

### INDOOR USE ONLY

✘ Do not use as a step ladder



CLIP

# CLIP



CLIP



GROUP



# R7 OTTOMANS

## IMPRESS



### FEATURES

#### IMPRESS FEATURES

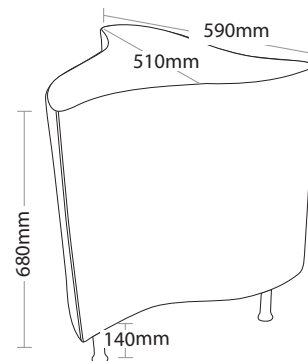
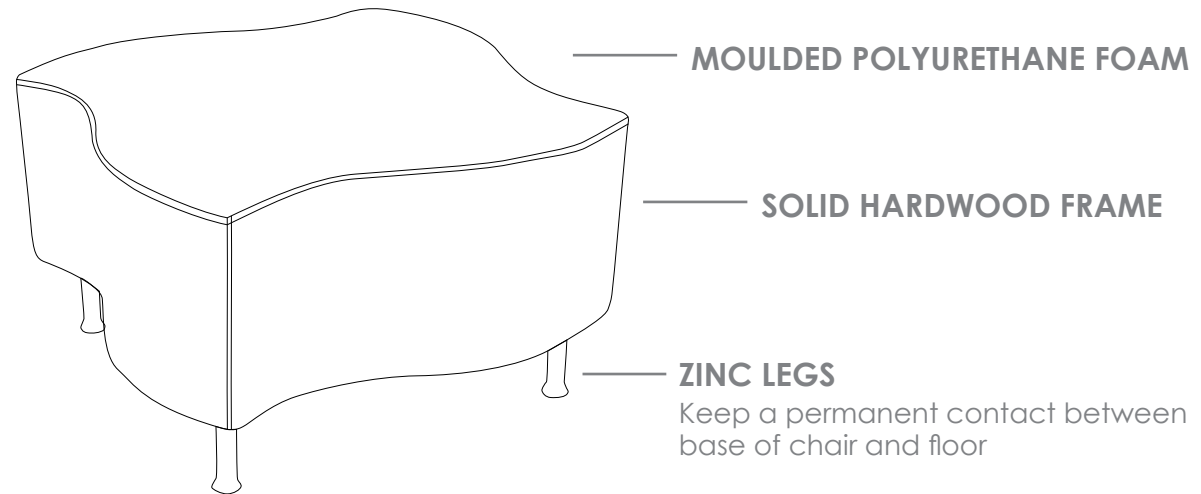
- » Available in 2 options only
- » Moulded polyurethane foam
- » Solid hardwood frame
- » Zinc legs
- » Available in local fabrics
- » Optional frame or base colour (please allow 5 more days)
- » Suitable for indoor use only
- » 3 year warranty
- » Weight limit is 130kg

#### IMPRESS TABLE FEATURES

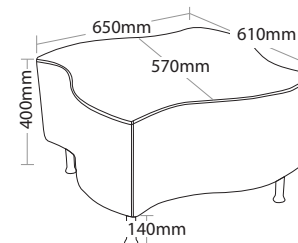
- » 8mm Tempered glass top
- » Chrome legs
- » Optional frame or base colour (please allow 5 more days)
- » Suitable for indoor use only
- » 3 year warranty

### INDOOR USE ONLY

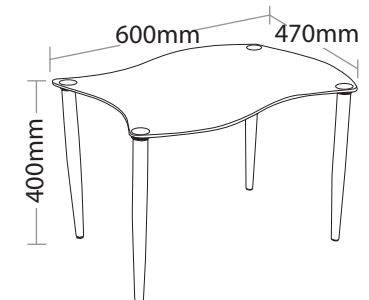
✗ Do not use as a step ladder



IMPRESS-1



IMPRESS-2



IMPRESS-T

# IMPRESS



IMPRESS-1



IMPRESS-2



IMPRESS-T



GROUP



# R7 OTTOMANS

## RADIUS

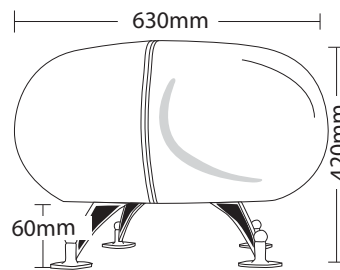
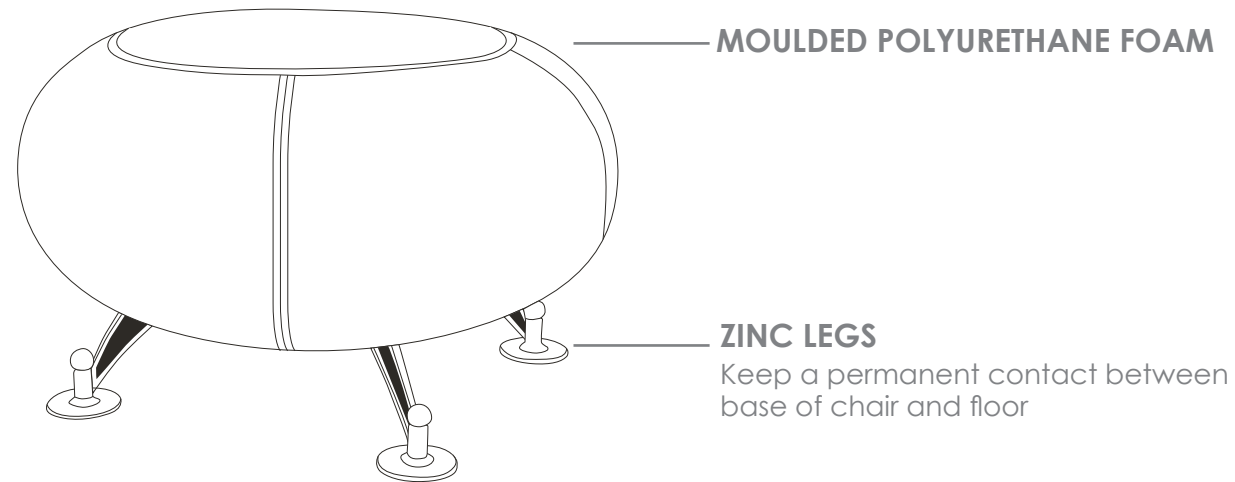


### FEATURES

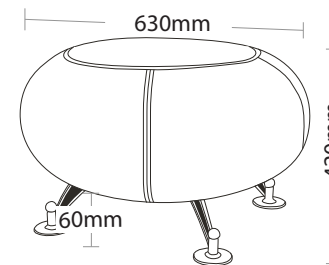
- » Available in 2 options only
- » Moulded polyurethane foam
- » Zinc legs
- » Available in local fabrics
- » Optional frame or base colour (please allow 5 more days)
- » Suitable for indoor use only
- » 3 year warranty
- » Weight limit is 130kg

### INDOOR USE ONLY

✘ Do not use as a step ladder



RADIUS-1



RADIUS-2

# RADIUS



RADIUS-1



RADIUS-2



GROUP

# R8 BARS STOOLS

## GAMMA, LIFT, VEGAS AND FLOW



### FEATURES

#### GAMMA/ VEGAS FEATURES

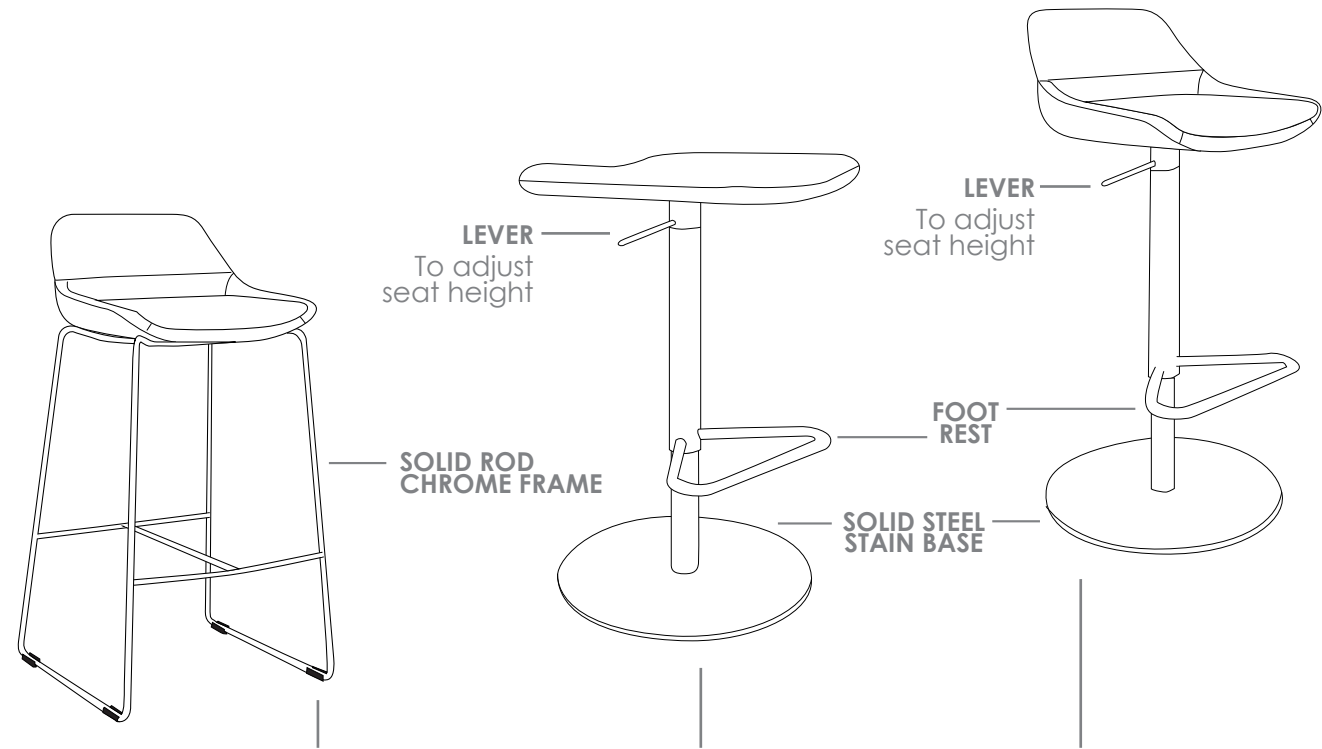
- » Solid rod chrome frame
- » Available in local fabrics
- » Optional frame or base colour (please allow 5 more days)
- » Suitable for indoor use only
- » 4 year warranty
- » Weight limit is 120kg

#### LIFT/ FLOW FEATURES

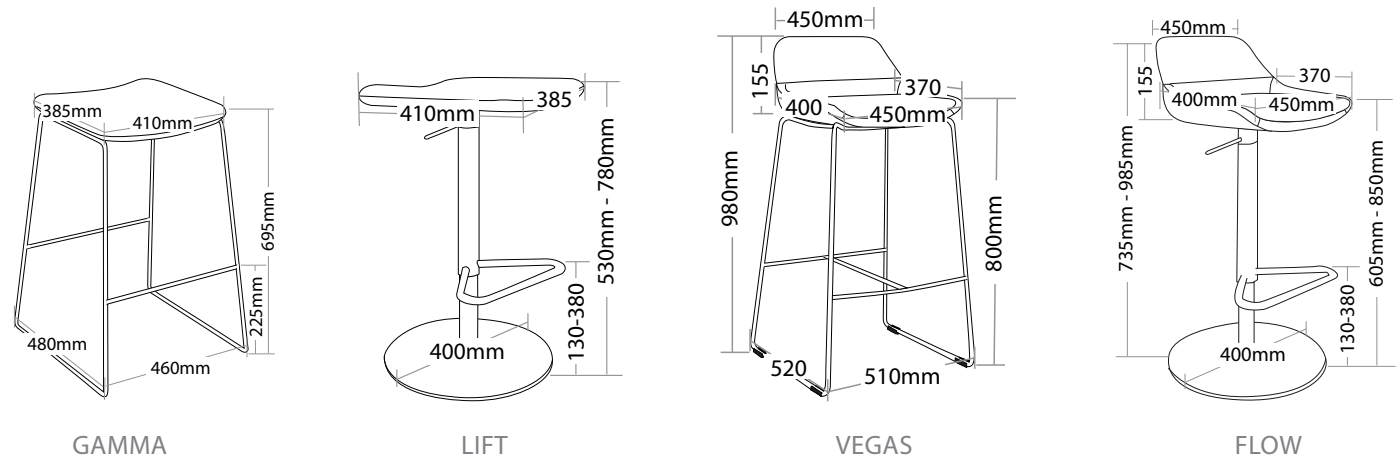
- » Adjustable seat height
- » Solid steel stain base
- » Foot rest
- » Available in local fabrics
- » Suitable for indoor use only
- » 4 year warranty
- » Weight limit is 120kg

INDOOR USE ONLY

X Do not use as a step ladder



Keep a permanent contact between base of chair and floor



# **GAMMA, LIFT, VEGAS AND FLOW** BARS STOOLS



GAMMA



LIFT



VEGAS



FLOW

R9 SOFT SEATING

## BLITZ

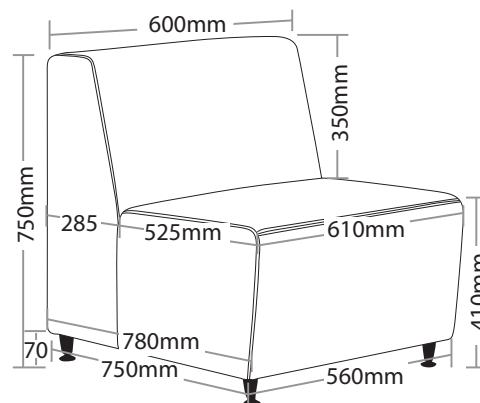
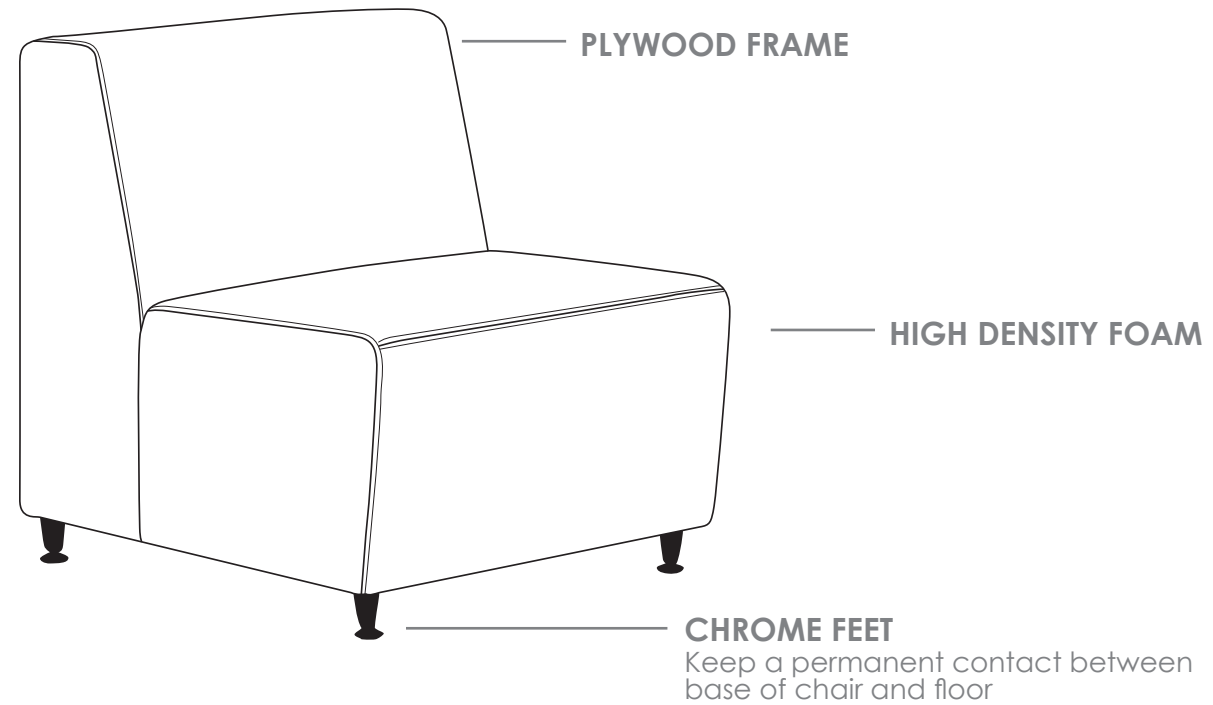


### FEATURES

- » High density foam
- » Zig zag steel spring
- » Plywood frame
- » Chrome feet
- » Available in local fabrics
- » Optional frame or base colour (please allow 5 more days)
- » Suitable for indoor use only
- » 5 year warranty
- » Weight limit is 120kg

INDOOR USE ONLY

✗ Do not use as a step ladder



BLITZ-U

# BLITZ SOFT SEATING



BLITZ-U



SIDE VIEW



BACK VIEW

# TWIST

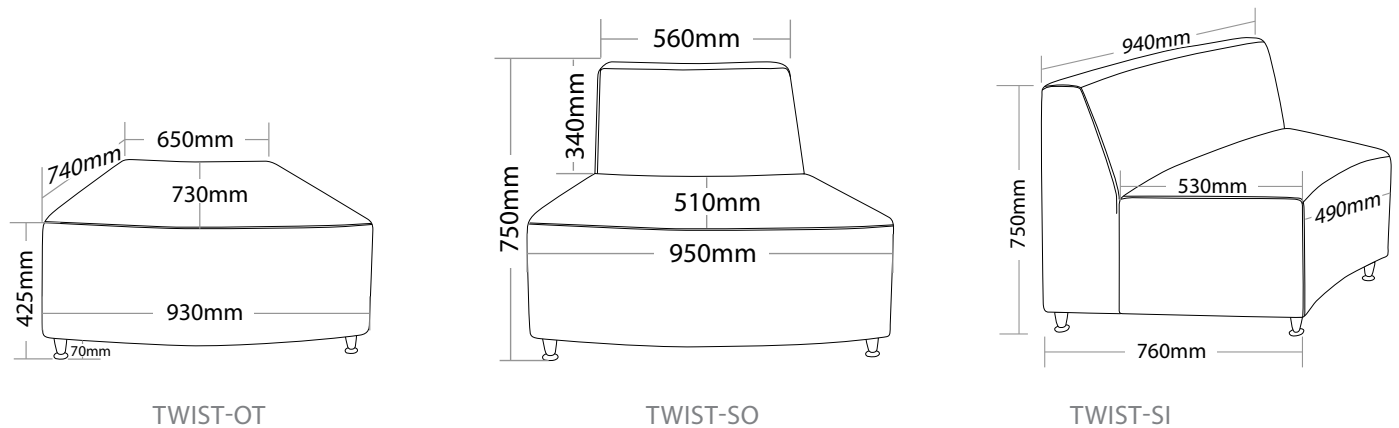
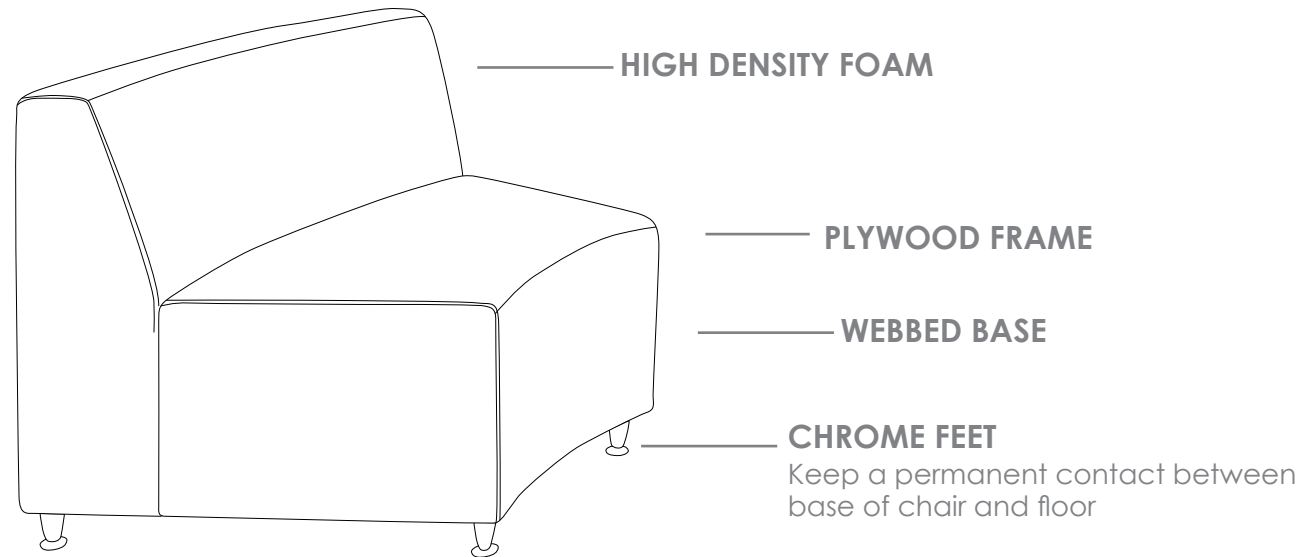


## FEATURES

- » Available in 3 options only
- » High density foam
- » Plywood frame
- » Webbed base
- » Chrome feet
- » Available in local fabrics
- » Optional frame or base colour (please allow 5 more days)
- » Suitable for indoor use only
- » 3 year warranty
- » Weight limit is 120kg

## INDOOR USE ONLY

✘ Do not use as a step ladder



# TWIST SOFT SEATING



TWIST-OT



TWIST-SO



TWIST-SI



GROUP



R9 SOFT SEATING

# ROXA

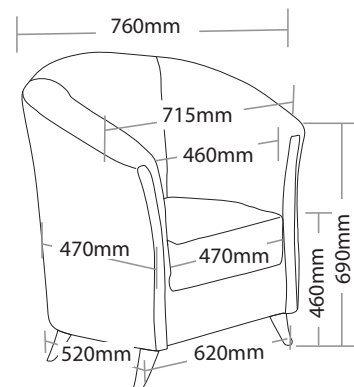
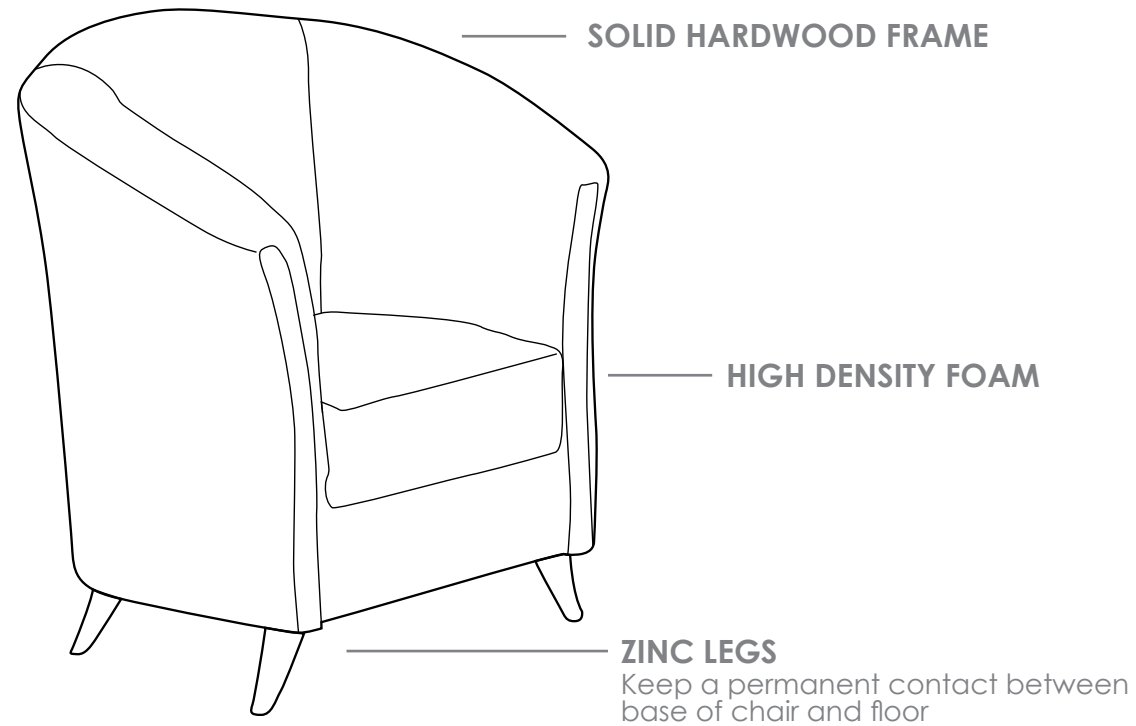


## FEATURES

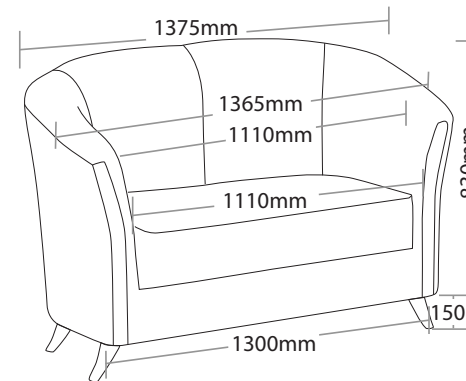
- » Optional 1 or 2 seater
- » High density foam
- » Solid hardwood frame
- » Zinc legs
- » Available in local fabrics
- » Suitable for indoor use
- » 5 year warranty
- » Weight limit for 1 seater is 130kg
- » Weight limit for 2 seater is 260kg

INDOOR USE ONLY

✗ Do not use as a step ladder



ROXA-1



ROXA-2

# ROXA SOFT SEATING



ROXA-1



ROXA-2

## MONTAGE

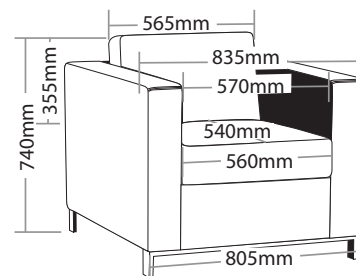
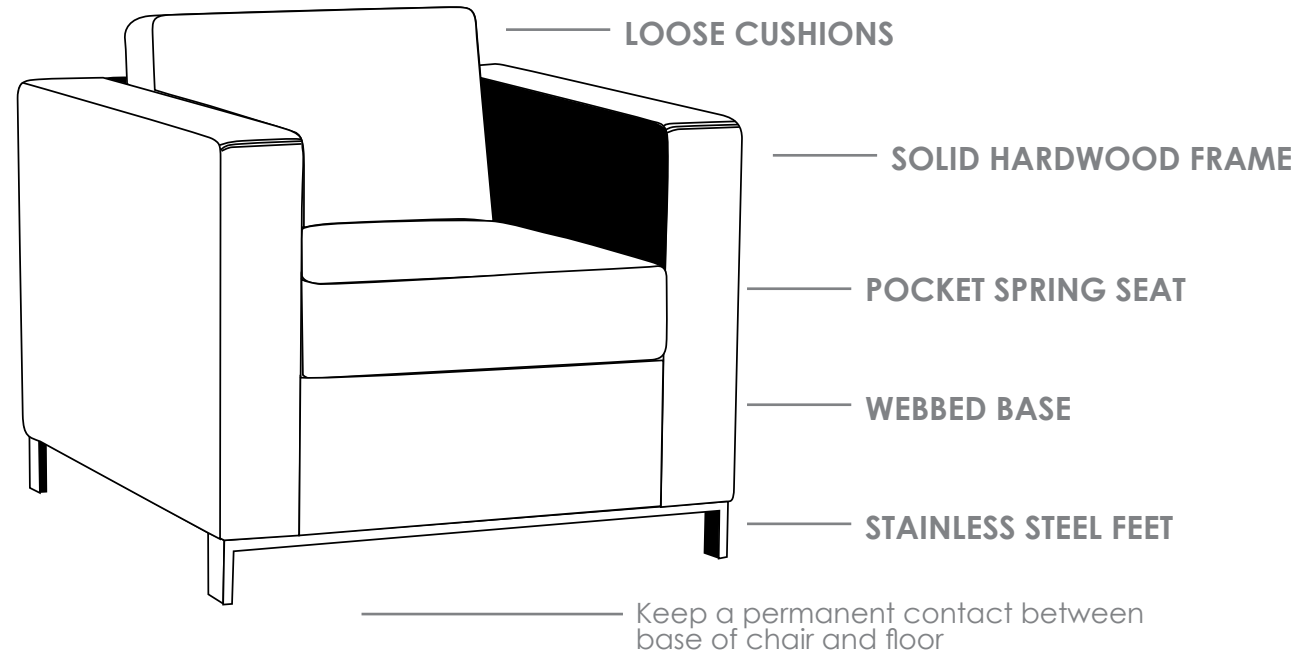


### FEATURES

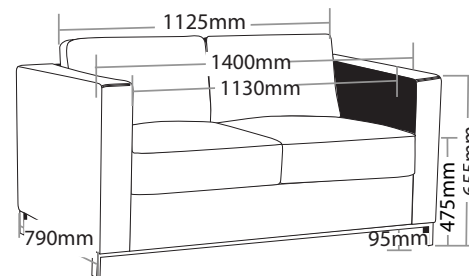
- » Optional 1, 2 or 3 seater
- » Pocket spring seat
- » Loose cushions upholstered both sides
- » Zig zag steel spring
- » Webbed base
- » Solid hardwood frame
- » Stainless steel feet
- » Available in all local fabrics
- » Optional frame or base colour (please allow 5 more days)
- » Suitable for indoor use
- » 5 year warranty
- » Weight limit for 1 seater is 130kg
- » Weight limit for 2 seater is 260kg
- » Weight limit for 3 seater is 390kg

INDOOR USE ONLY

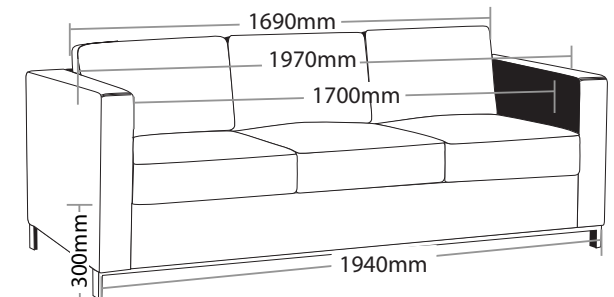
✗ Do not use as a step ladder



MO-1S



MO-2S



MO-3S

# MONTAGE SOFT SEATING



MO-15



MO-25



MO-35

R9 SOFT SEATING

# SHELL

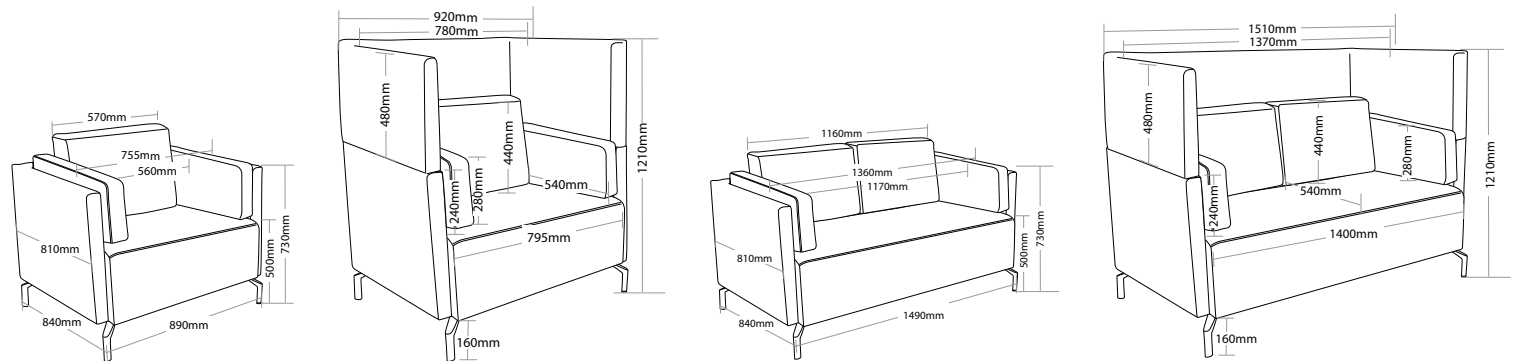
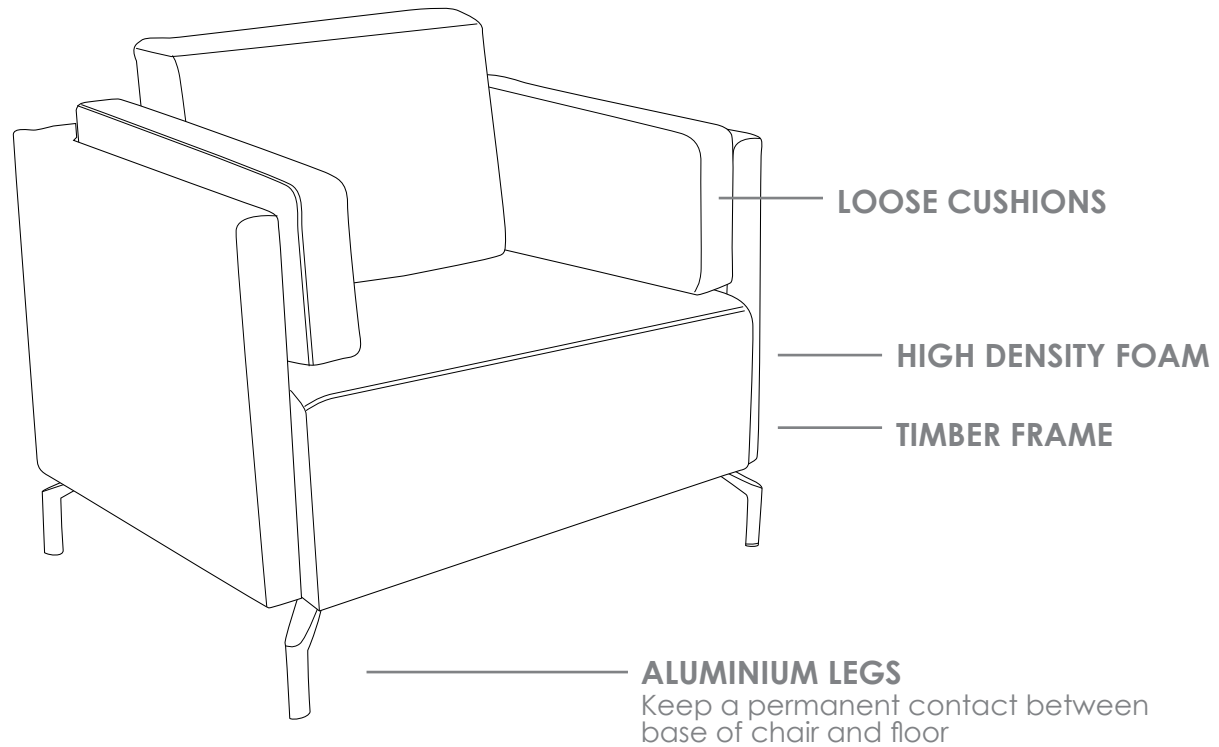


## FEATURES

- » Australian made
- » Available in 1 or 2 seater (custom size available, please contact office)
- » High density foam
- » Loose cushions upholstered both sides
- » Timber frame
- » Aluminium legs
- » Available in local fabrics (two tone available, please contact office)
- » Optional frame or base colour (please allow 5 more days)
- » Suitable for indoor use
- » 5 year warranty
- » Weight limit for 1 seater is 130kg
- » Weight limit for 2 seater is 260kg

INDOOR USE ONLY

✗ Do not use as a step ladder



SHELL-1S

SHELL-1SH

SHELL-2S

SHELL-2SH



# SHELL SOFT SEATING



SHELL-1S



SHELL-1SH



SHELL-2S



SHELL-2SH

# R10 SCREENS

## ACOUSTIC



### FEATURES

- » Australian made
- » Solid timber frame
- » Frames wrapped with a 10mm layer of foam
- » Frames wrapped with a layer of cardboard
- » 19mm metal side frame
- » Optional frame or base colour (please allow 5 more days)
- » Suitable for indoor use
- » 2 year warranty

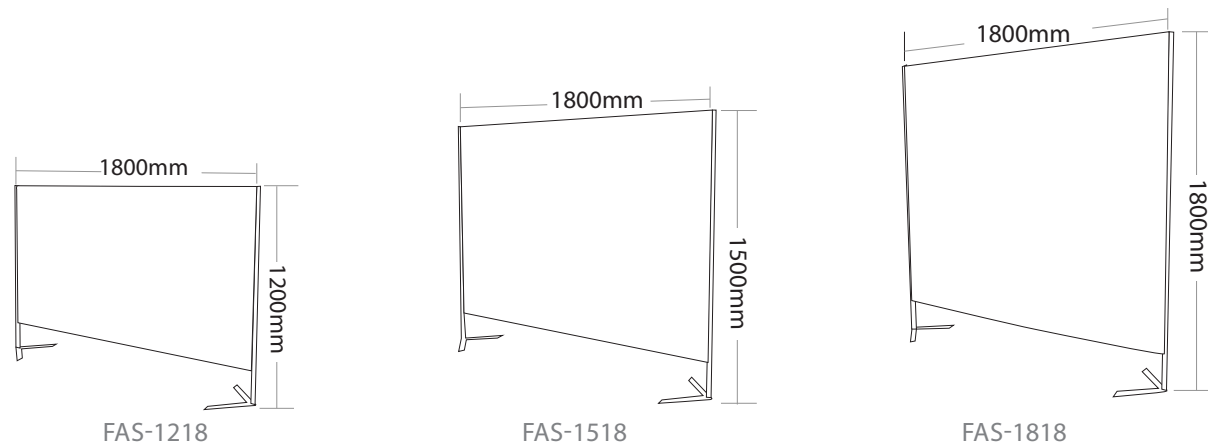
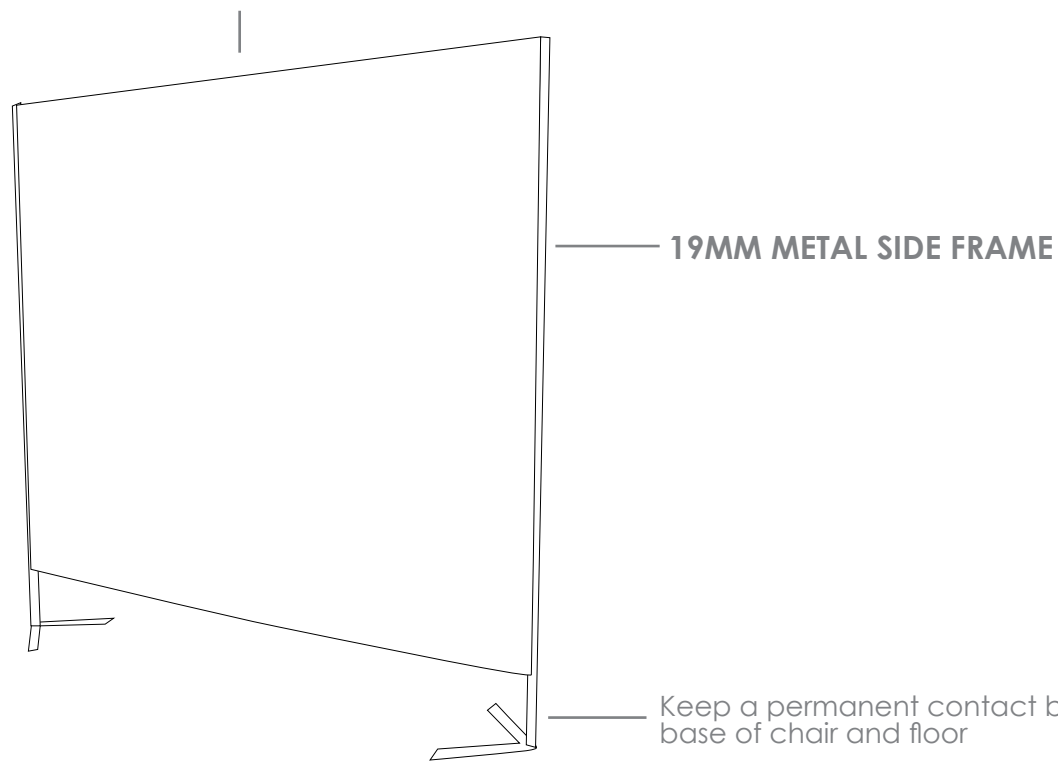
### OPTIONS

| CODE     | SCREEN SIZE (HXW) |
|----------|-------------------|
| FAS-1212 | 1200x1200mm       |
| FAS-1215 | 1200x1500mm       |
| FAS-1218 | 1200x1800mm       |
| FAS-1512 | 1500x1200mm       |
| FAS-1515 | 1500x1500mm       |
| FAS-1518 | 1500x1800mm       |
| FAS-1812 | 1800x1200mm       |
| FAS-1815 | 1800x1500mm       |
| FAS-1818 | 1800x1800mm       |

INDOOR USE ONLY

✘ Do not use as a step ladder

SOLID TIMBER FRAME



# ACOUSTIC SCREENS



FAS-1218



FAS-1518



FAS-1818



# R11 INDUSTRIAL STOOLS

## STATE

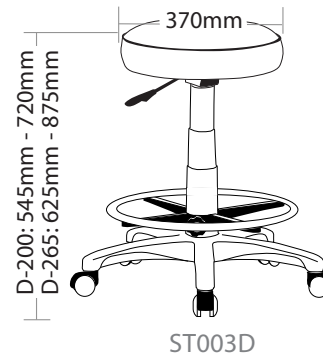
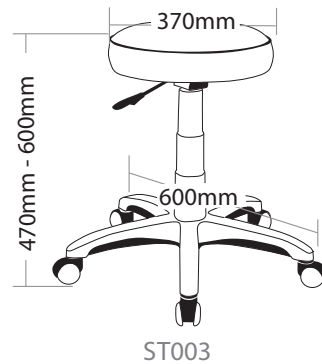
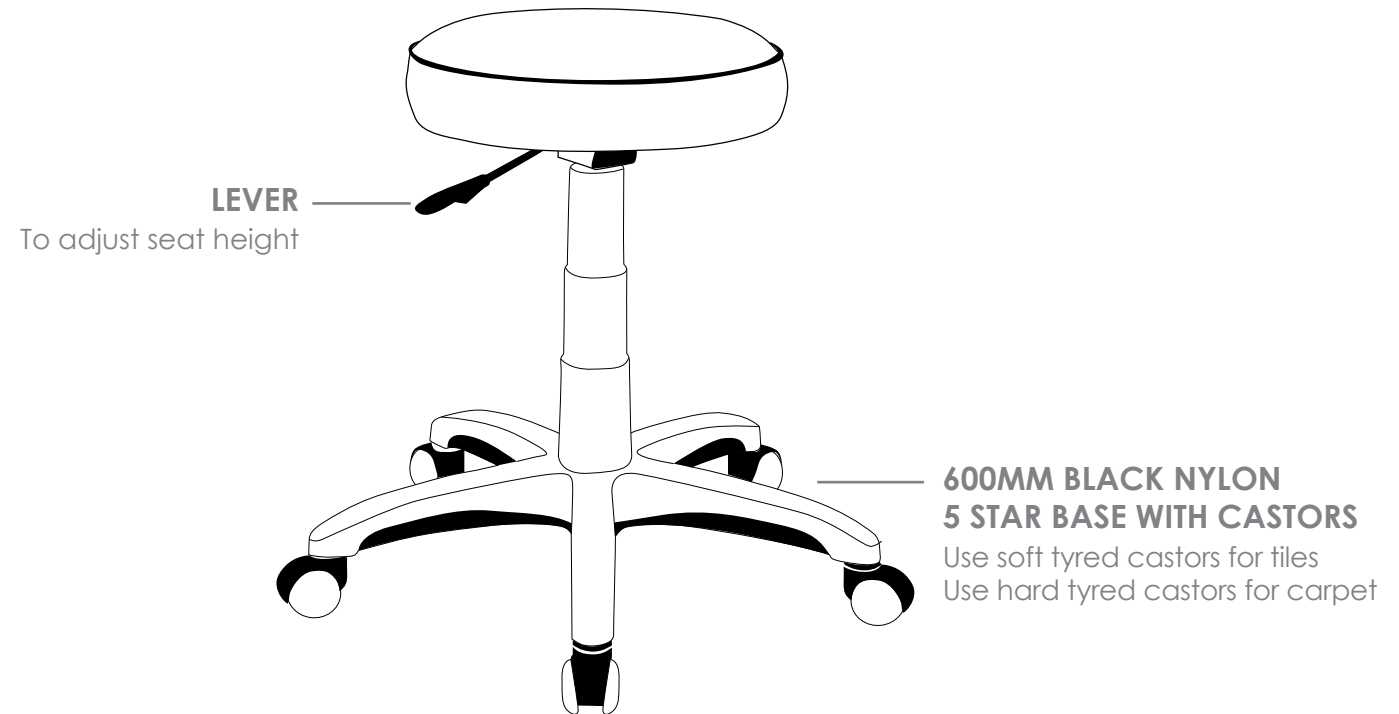


### FEATURES

- » Adjustable seat height
- » Optional drafting kit
- » Optional glides or brake castors
- » 600mm black nylon base
- » Available in local fabrics
- » Suitable for indoor use
- » 5 year warranty
- » Weight limit is 120kg

### INDOOR USE ONLY

✘ Do not use as a step ladder



# STATE INDUSTRIAL STOOL



ST003



ST003D

**NSW BRANCH**

**A:** 83-85 Percival Road, Smithfield 2164



**VIC BRANCH**

**A:** 21-23 Edison Rd, Dandenong South 3175



**QLD BRANCH**

**A:** 3 Aliciajay Circuit, Luscombe 4207

