



21-22

CATALOGUE

STYLE[®] X**PRESS**
Seating On Demand 



Warranty period for chairs, lounges and tables



Weight rating for individual chairs, lounges and tables*



Fully imported Chairs, lounges, tables, parts and components.



The Performance criteria adopted for certification by Furntech is based on Australian standards, e.g. Level 6 - Severe commercial and heavy industrial.*

**Weight limits are self-rated by Style Ergonomic Australia. AFRDI approved chairs are normally rated to 110kg.*

AFRDI 142 Certification



AFRDI rating for multi shift use and 160kg weight limit.



Furntech is an independent not-for-profit technical organisation providing standards, testing product certification and research for buyers and sellers of furniture.



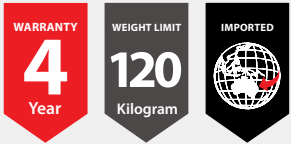
BIFMA is a third-party certification program that provides manufacturers with valuable feedback for evaluating the environmental, human, and social impacts of their furniture products for manufacturing, facility, and organisation.



All instructions of use are instructed while sitting in the chair.

R1 TASK SEATING

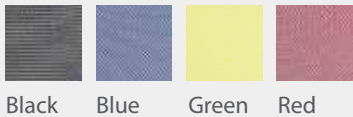
INTRO



FEATURES

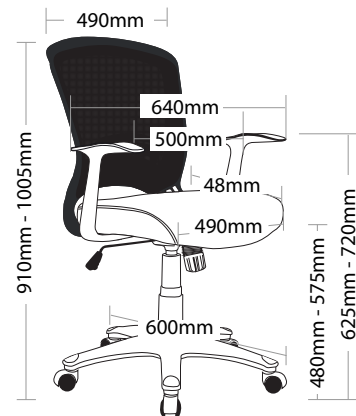
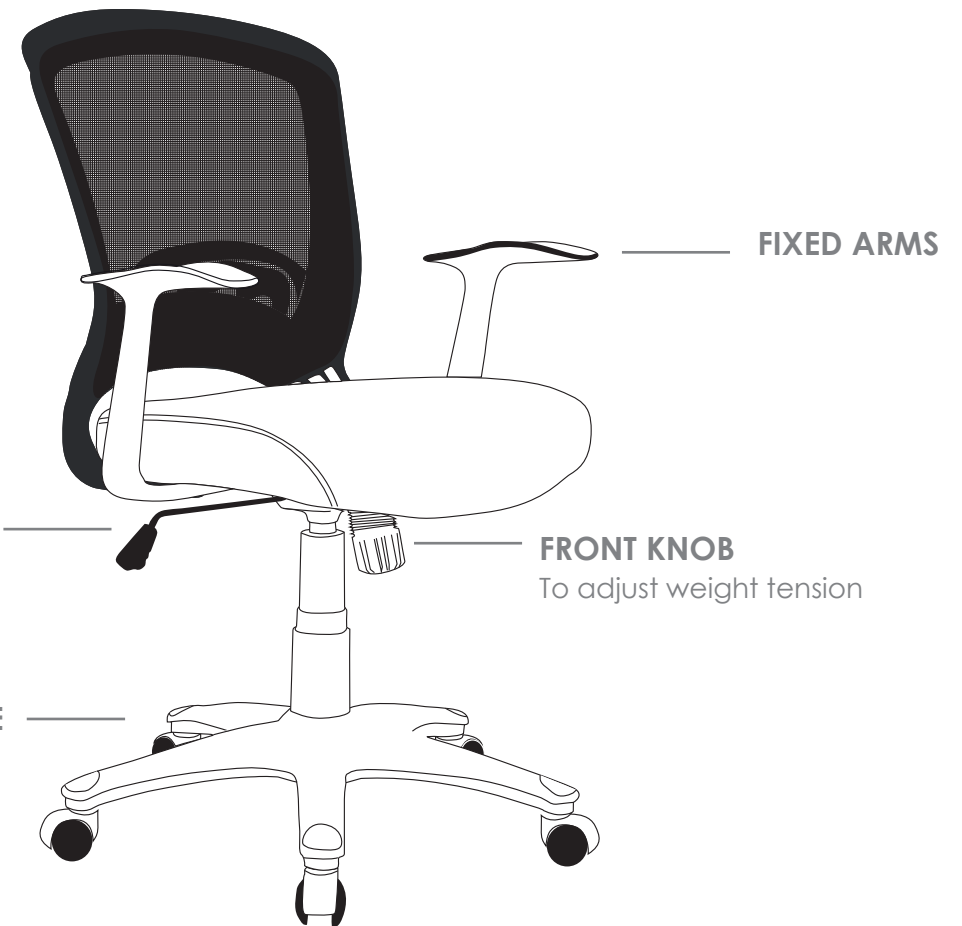
- » Adjustable seat height
- » Adjustable seat and back angle
- » Adjustable weight tension
- » Fixed arms
- » Butterfly mechanism
- » 600mm heavy duty 5 star base
- » Available in black, blue, green and red only
- » Minor assembly required
- » Suitable for indoor use only
- » 4 year warranty
- » Weight limit is 120kg

COLOUR



INDOOR USE ONLY

X Do not use as a step ladder



INTRO

INTRO TASK SEATING



INTRO-BLACK



INTRO-BLUE



INTRO-GREEN



INTRO-RED

R1 TASK SEATING

YARRA

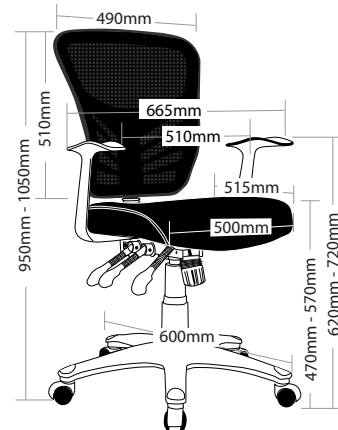
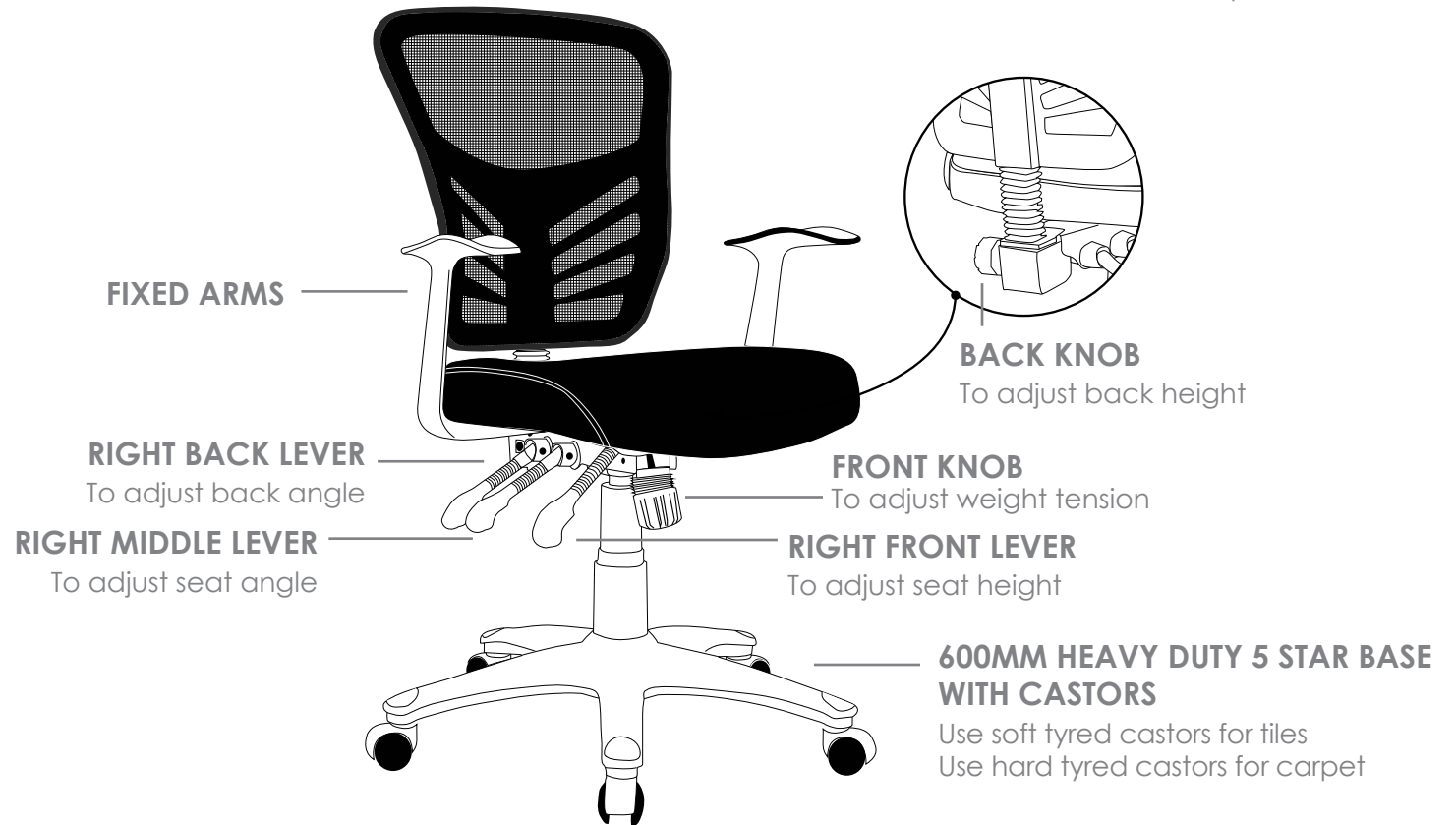


FEATURES

- » Adjustable seat height
- » Adjustable back height
- » Adjustable weight tension
- » Fixed arms
- » 3 lever ergonomic mechanism
- » 600mm heavy duty 5 star base with castors
- » Available in black only
- » Minor assembly required
- » Suitable for indoor use only
- » 4 year warranty
- » Weight limit is 120kg

INDOOR USE ONLY

✗ Do not use as a step ladder



YARRA

YARRA TASK SEATING



YARRA



BACK VIEW



SIDE VIEW

R1 TASK SEATING

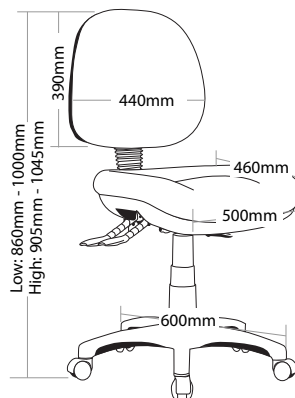
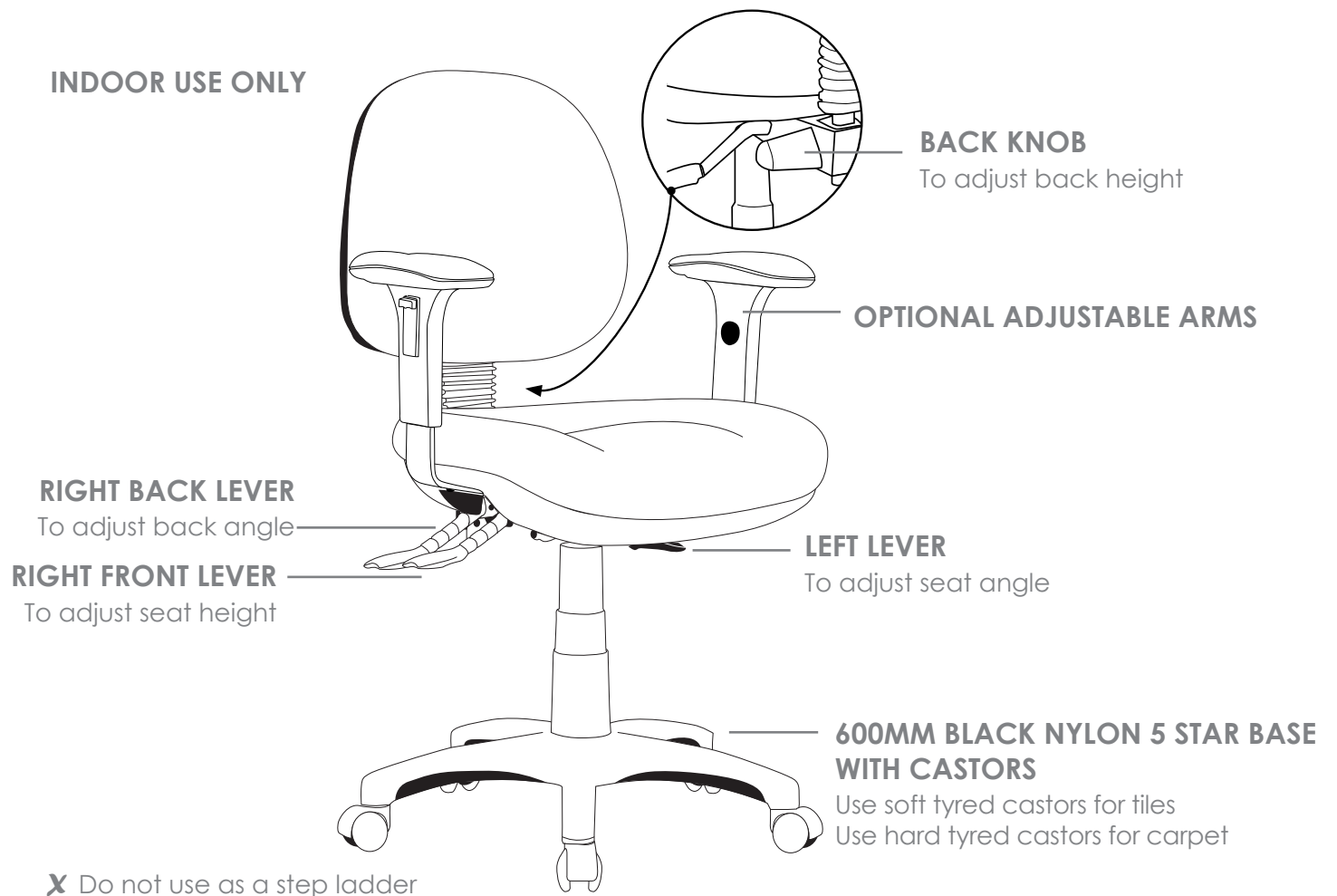
P350



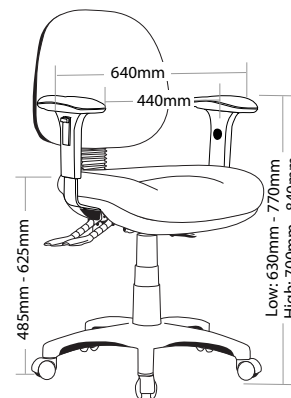
FEATURES

- » Adjustable seat height
- » Adjustable back height
- » Adjustable seat and back angle
- » Optional adjustable arms
- » Available in high and low back
- » Moulded seat and back foam
- » 3 lever ergonomic mechanism
- » 600mm black nylon base
- » Available in Metro black only
- » AFRDI tested to level 6
- » Minor assembly required
- » Suitable for indoor use only
- » 7 year warranty
- » Weight limit is 130kg

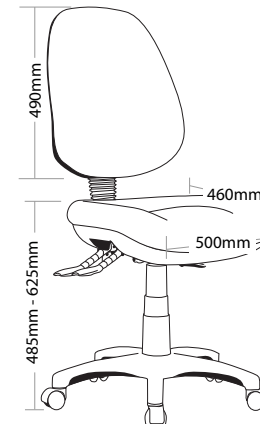
INDOOR USE ONLY



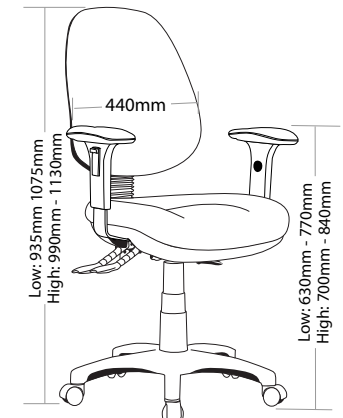
P350-MB



P350C-MB



P350H-MB



P350HC-MB

P350 TASK SEATING



P350-MB



P350C-MB



P350-H-MB



P350HC-MB

R1 TASK SEATING

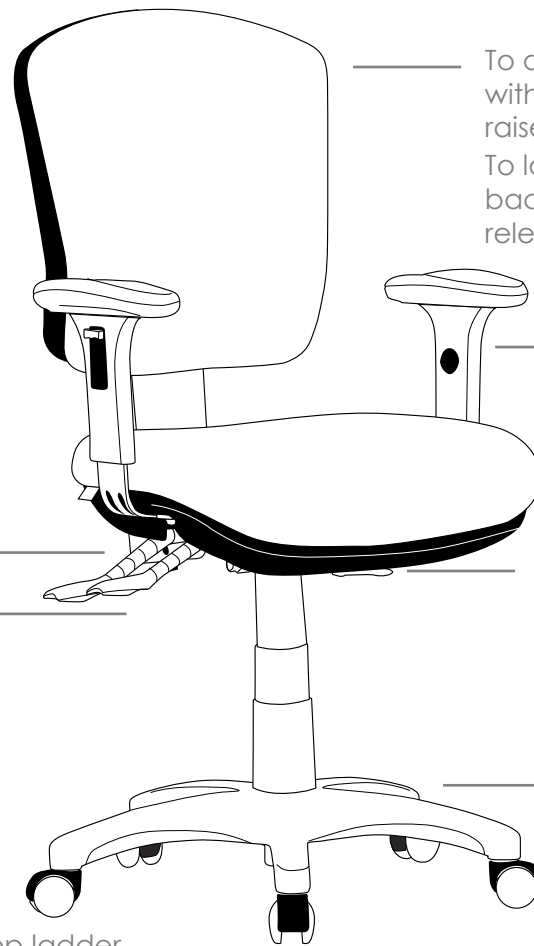
AQUA



FEATURES

- » Adjustable seat height
- » Adjustable back height (ratchet)
- » Adjustable seat and back angle
- » Optional adjustable arms
- » Available in high and low back
- » Moulded seat and back foam
- » 3 lever ergonomic mechanism
- » 600mm black nylon base
- » Available in Metro black only
- » AFRDI tested to level 6
- » Minor assembly required
- » Suitable for indoor use only
- » 7 year warranty
- » Weight limit is 130kg

INDOOR USE ONLY



To adjust back height hold back with two hands while seated and raise to desired height
 To lower the back height raise back all the way to the top and release slowly

OPTIONAL ADJUSTABLE ARMS

RIGHT BACK LEVER

To adjust back angle

RIGHT FRONT LEVER

To adjust seat height

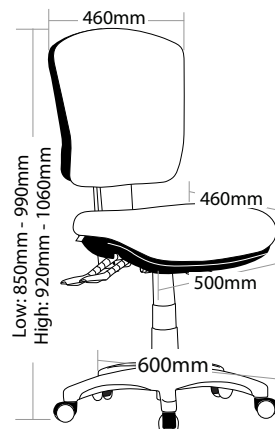
LEFT LEVER

To adjust seat angle

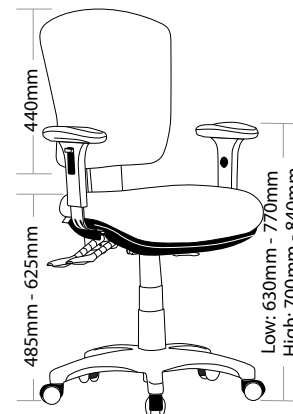
600MM BLACK NYLON 5 STAR BASE WITH CASTORS

Use soft tyred castors for tiles
 Use hard tyred castors for carpet

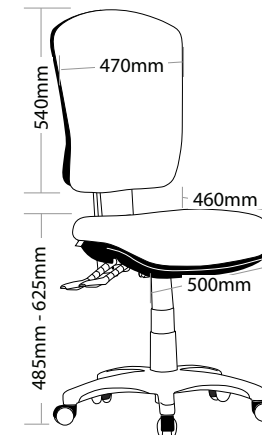
Do not use as a step ladder



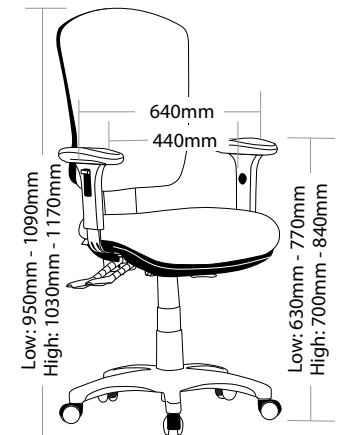
AQUA-L-MB



AQUA-LC-MB



AQUA-H-MB



AQUA-HC-MB

AQUA TASK SEATING



AQUA-L-MB



AQUA-LC-MB



AQUA-H-MB



AQUA-HC-MB

R1 TASK SEATING

RIO



FEATURES

- » Adjustable seat height
- » Adjustable back height (ratchet)
- » Adjustable seat and back angle
- » Optional adjustable arms
- » Available in high and low back
- » Moulded seat foam
- » Mesh back
- » 3 lever ergonomic mechanism
- » 600mm black nylon base
- » Available in Metro black only
- » AFRDI tested to level 6
- » Minor assembly required
- » Suitable for indoor use only
- » 7 year warranty
- » Weight limit is 130kg

INDOOR USE ONLY



To adjust back height hold back with two hands while seated and raise to desired height
To lower the back height raise back all the way to the top and release slowly

OPTIONAL ADJUSTABLE ARMS

RIGHT BACK LEVER

To adjust back angle

RIGHT FRONT LEVER

To adjust seat height

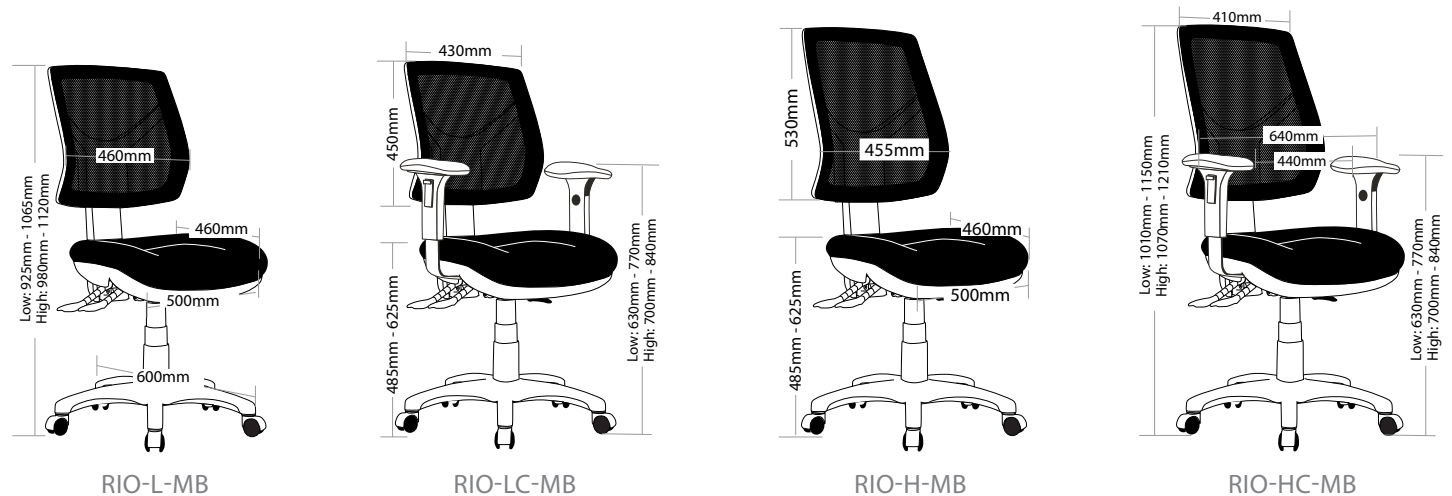
LEFT LEVER

To adjust seat angle

600MM BLACK NYLON 5 STAR BASE WITH CASTORS

Use soft tyred castors for tiles
Use hard tyred castors for carpet

✗ Do not use as a step ladder



RIO TASK SEATING



RIO-L-MB



RIO-LC-MB



RIO-H-MB



RIO-HC-MB

R1 TASK SEATING

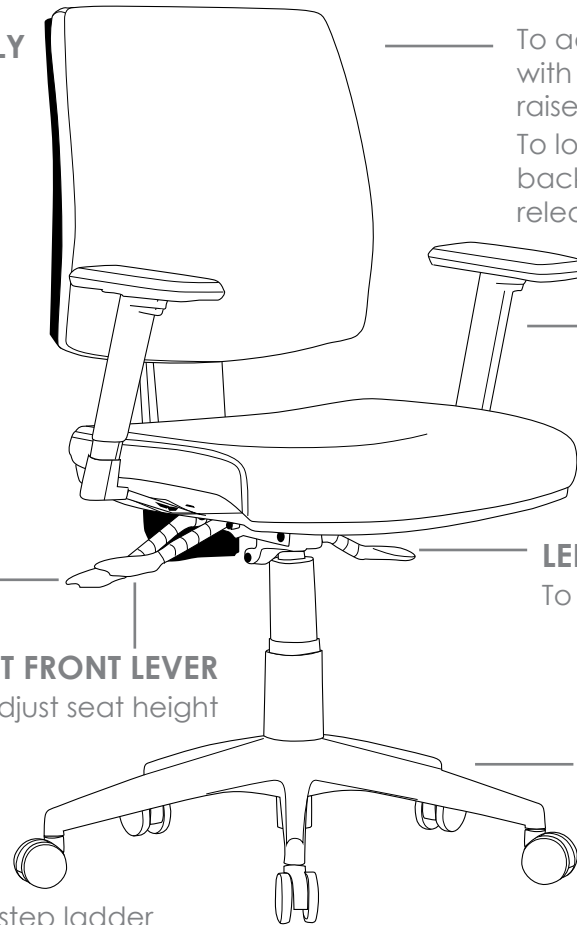
CLICK



FEATURES

- » Adjustable seat height
- » Adjustable back height (ratchet)
- » Adjustable seat and back angle
- » Optional adjustable arms
- » Available in high and low back
- » Moulded seat and back foam
- » Square seat
- » 3 lever ergonomic mechanism
- » 660mm black nylon base
- » Available in Metro black only
- » AFRDI tested to level 6
- » Minor assembly required
- » Suitable for indoor use only
- » 7 year warranty
- » Weight limit is 130kg

INDOOR USE ONLY



To adjust back height hold back with two hands while seated and raise to desired height
 To lower the back height raise back all the way to the top and release slowly

OPTIONAL ADJUSTABLE ARMS

RIGHT BACK LEVER
 To adjust back angle

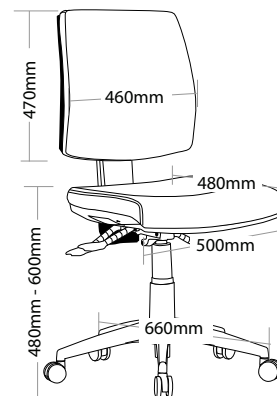
LEFT LEVER
 To adjust seat angle

RIGHT FRONT LEVER
 To adjust seat height

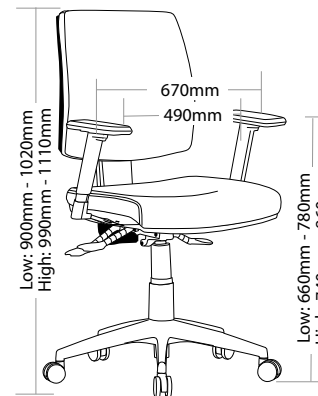
660MM BLACK NYLON 5 STAR BASE WITH CASTORS

Use soft tyred castors for tiles
 Use hard tyred castors for carpet

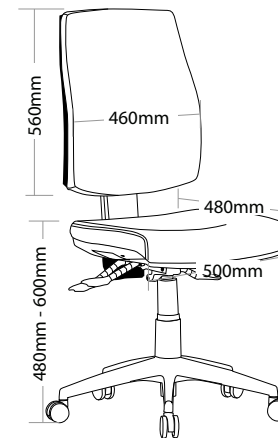
X Do not use as a step ladder



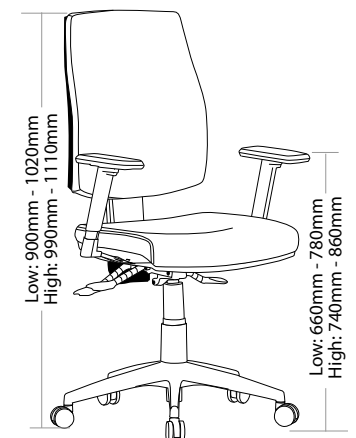
CLICK-L-MB



CLICK-LC-MB



CLICK-H-MB



CLICK-HC-MB

CLICK TASK SEATING



CLICK-L-MB



CLICK-LC-MB



CLICK-H-MB



CLICK-HC-MB

R1 TASK SEATING

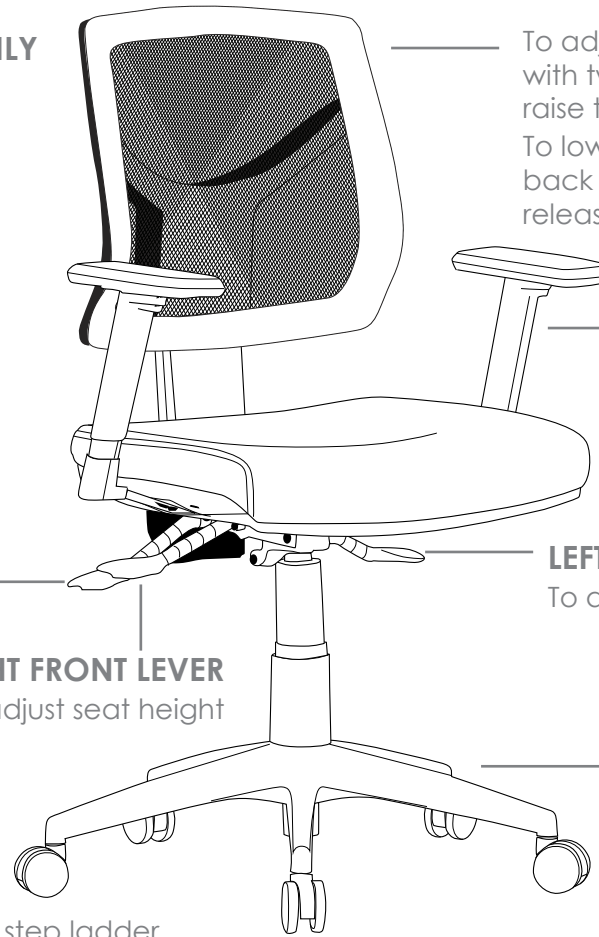
EXPO



FEATURES

- » Adjustable seat height
- » Adjustable back height (ratchet)
- » Adjustable seat and back angle
- » Optional adjustable arms
- » Available in high and low back
- » Moulded seat foam
- » Mesh back
- » 3 lever ergonomic mechanism
- » 660mm black nylon base
- » Available in Metro black only
- » AFRDI tested to level 6
- » Minor assembly required
- » Suitable for indoor use only
- » 7 year warranty
- » Weight limit is 130kg

INDOOR USE ONLY



To adjust back height hold back with two hands while seated and raise to desired height
 To lower the back height raise back all the way to the top and release slowly

OPTIONAL ADJUSTABLE ARMS

RIGHT BACK LEVER
 To adjust back angle

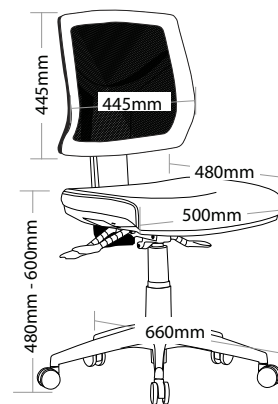
LEFT LEVER
 To adjust seat angle

RIGHT FRONT LEVER
 To adjust seat height

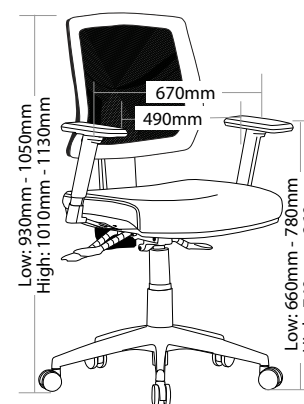
660MM BLACK NYLON 5 STAR BASE WITH CASTORS

Use soft tyred castors for tiles
 Use hard tyred castors for carpet

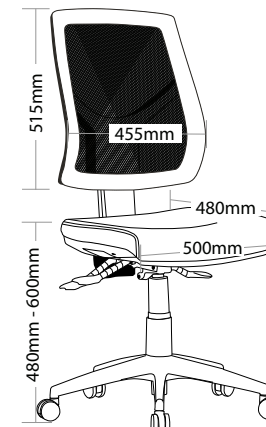
X Do not use as a step ladder



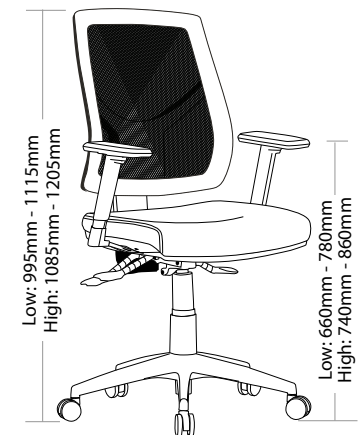
EXPO-L-MB



EXPO-LC-MB



EXPO-H-MB



EXPO-HC-MB

EXPO TASK SEATING



EXPO-L-MB



EXPO-LC-MB



EXPO-H-MB



EXPO-HC-MB

R1 TASK SEATING

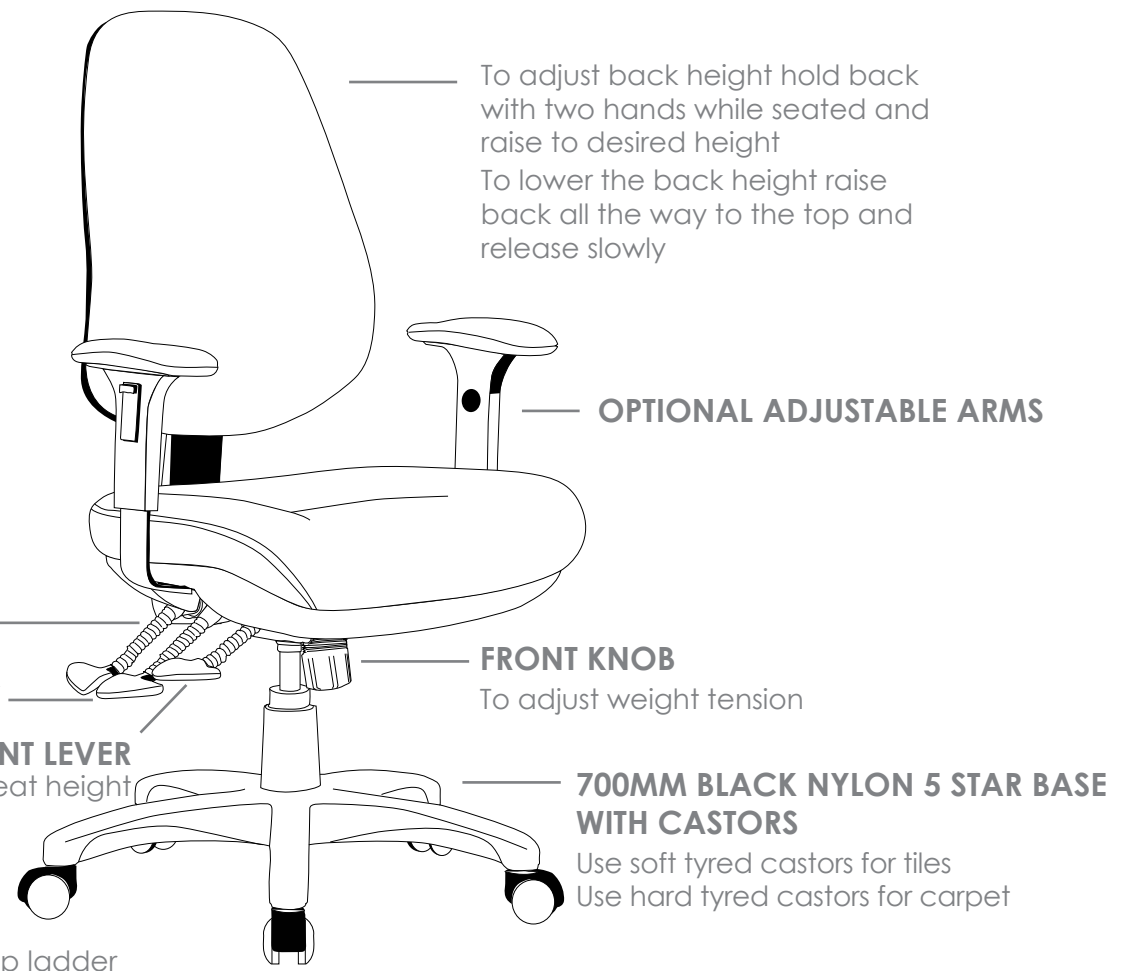
TR600



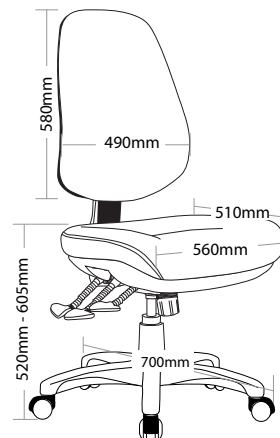
FEATURES

- » Adjustable seat height
- » Adjustable back height (ratchet)
- » Adjustable seat and back angle
- » Adjustable weight tension
- » Optional adjustable arms
- » Moulded seat and back foam
- » Mega big boy seat
- » 3 lever heavy duty ergonomic mechanism
- » 700mm black nylon base
- » Chair not available with drafting kit
- » Available in Metro black only
- » AFRDI tested to level 6
- » Minor assembly required
- » Suitable for indoor use only
- » 7 year warranty
- » Weight limit is 140kg

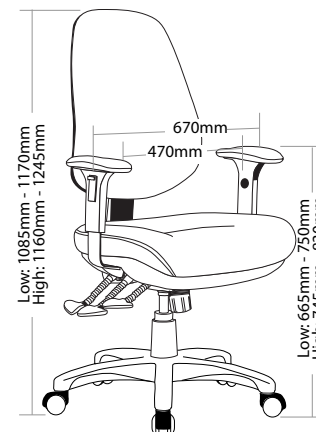
INDOOR USE ONLY



X Do not use as a step ladder



TR600-MB



TR600-C-MB

TR600 TASK SEATING



TR600-MB



TR600-C-MB



BACK VIEW

R1 TASK SEATING

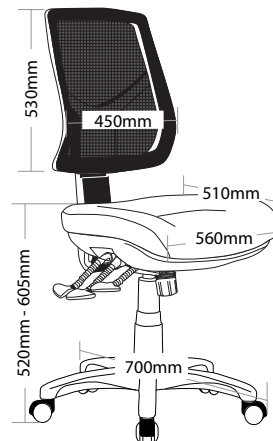
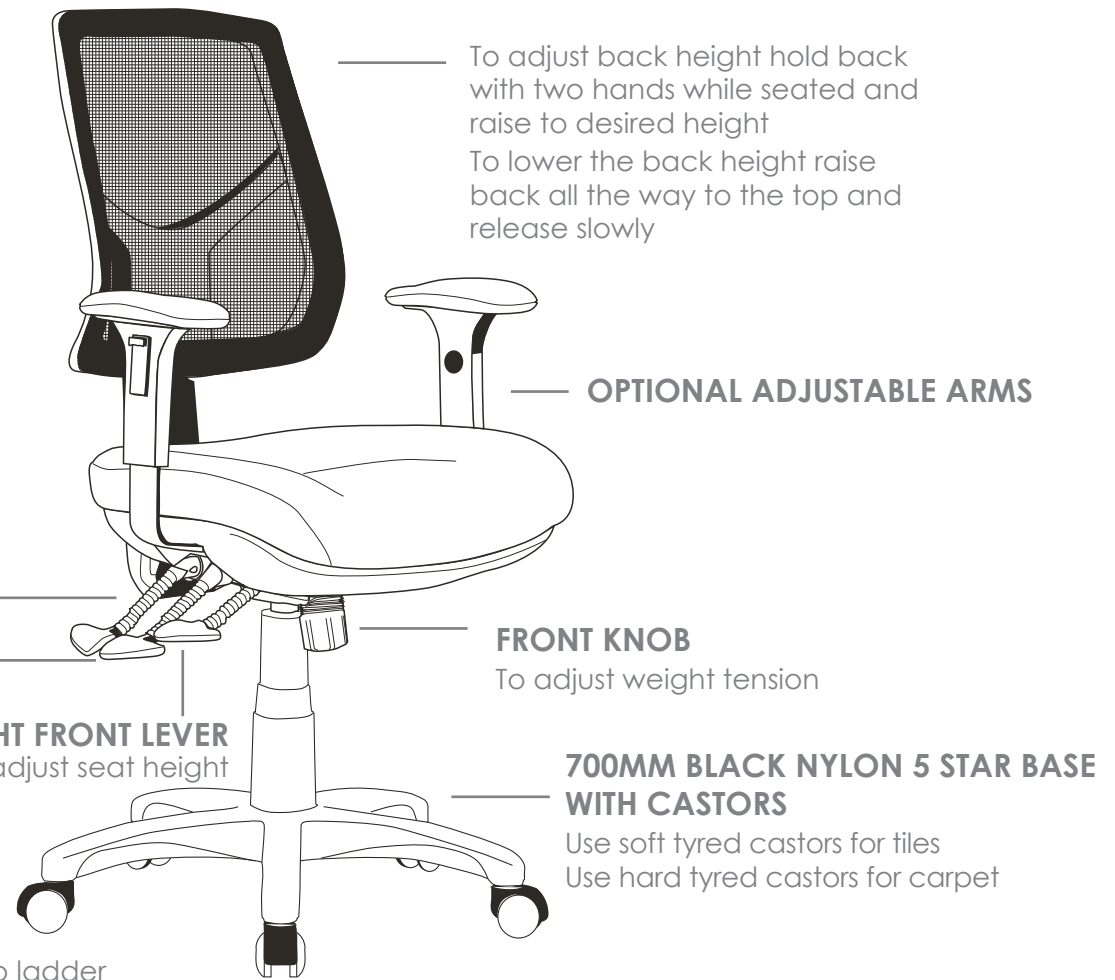
HINO



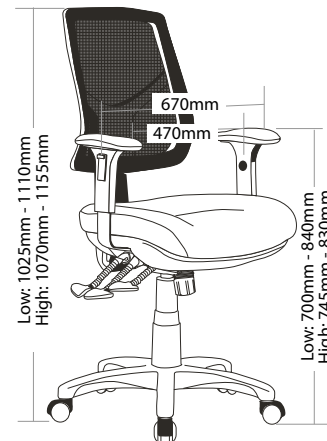
FEATURES

- » Adjustable seat height
- » Adjustable back height (ratchet)
- » Adjustable seat and back angle
- » Adjustable weight tension
- » Optional adjustable arms
- » Moulded seat foam
- » Mega big boy seat
- » Mesh back
- » 3 lever heavy duty ergonomic mechanism
- » 700mm black nylon base
- » Chair not available with drafting kit
- » Available in Metro black only
- » AFRDI tested to level 6
- » Minor assembly required
- » Suitable for indoor use only
- » 7 year warranty
- » Weight limit is 140kg

INDOOR USE ONLY



HINO-MB



HINO-C-MB

HINO TASK SEATING



HINO-MB



HINO-C-MB



BACK VIEW

R1 TASK SEATING

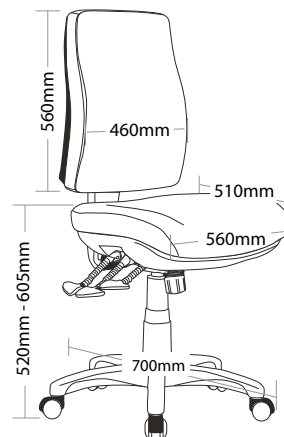
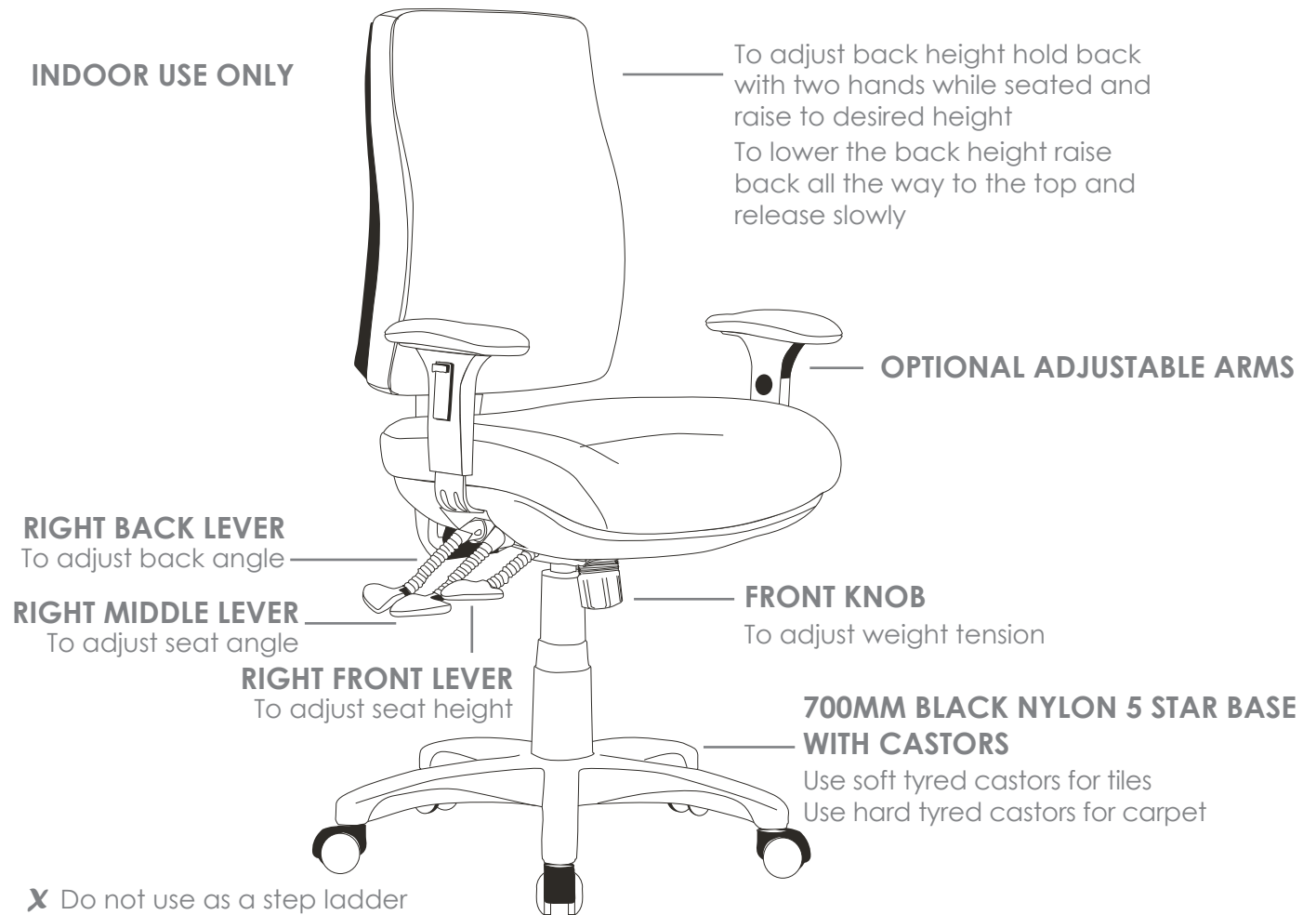
SPOT



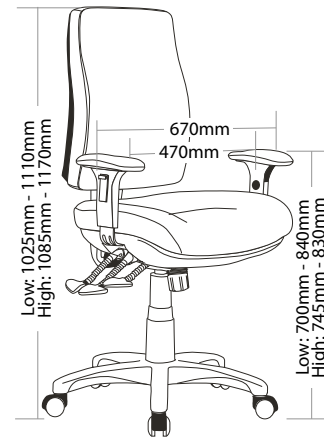
FEATURES

- » Adjustable seat height
- » Adjustable back height (ratchet)
- » Adjustable seat and back angle
- » Adjustable weight tension
- » Optional adjustable arms
- » Moulded seat and back foam
- » Mega big boy seat
- » 3 lever heavy duty ergonomic mechanism
- » 700mm black nylon base
- » Chair not available with drafting kit
- » Available in Metro black only
- » AFRDI tested to level 6
- » Minor assembly required
- » Suitable for indoor use only
- » 7 year warranty
- » Weight limit is 140kg

INDOOR USE ONLY



SPOT-H-MB



SPOT-HC-MB

SPOT TASK SEATING



SPOT-H-MB



SPOT-HC-MB



BACKVIEW

R2 BOARDROOM SEATING

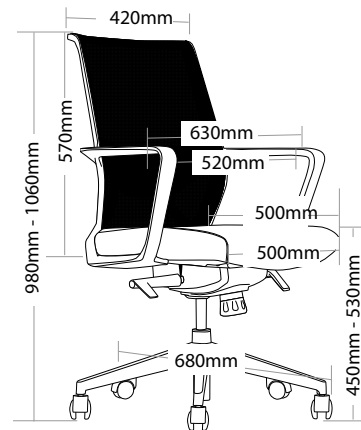
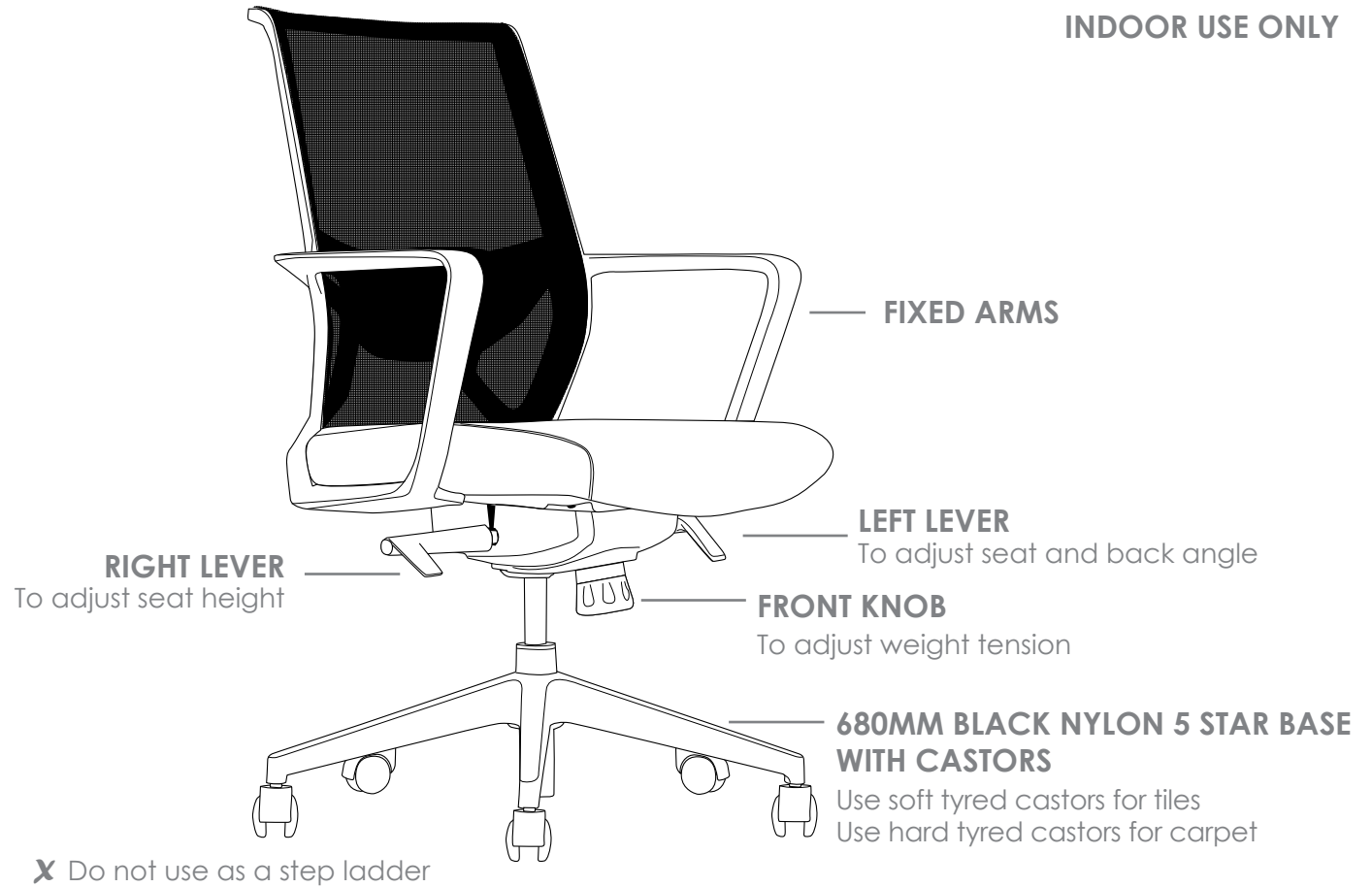
CAPRI



FEATURES

- » Adjustable seat height
- » Adjustable seat and back angle
- » Adjustable weight tension
- » Fixed arms
- » Mesh back
- » Knee tilt mechanism with 3 locking positions
- » 680mm black nylon 5 star base
- » Available in black only
- » Minor assembly required
- » Suitable for indoor use only
- » 3 year warranty
- » Weight limit is 120kg

INDOOR USE ONLY



CAPRI

CAPRI BOARDROOM SEATING



CAPRI



BACK VIEW



SIDE VIEW

R2 BOARDROOM SEATING

GALA

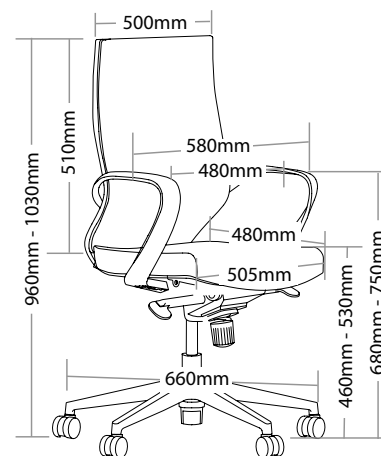
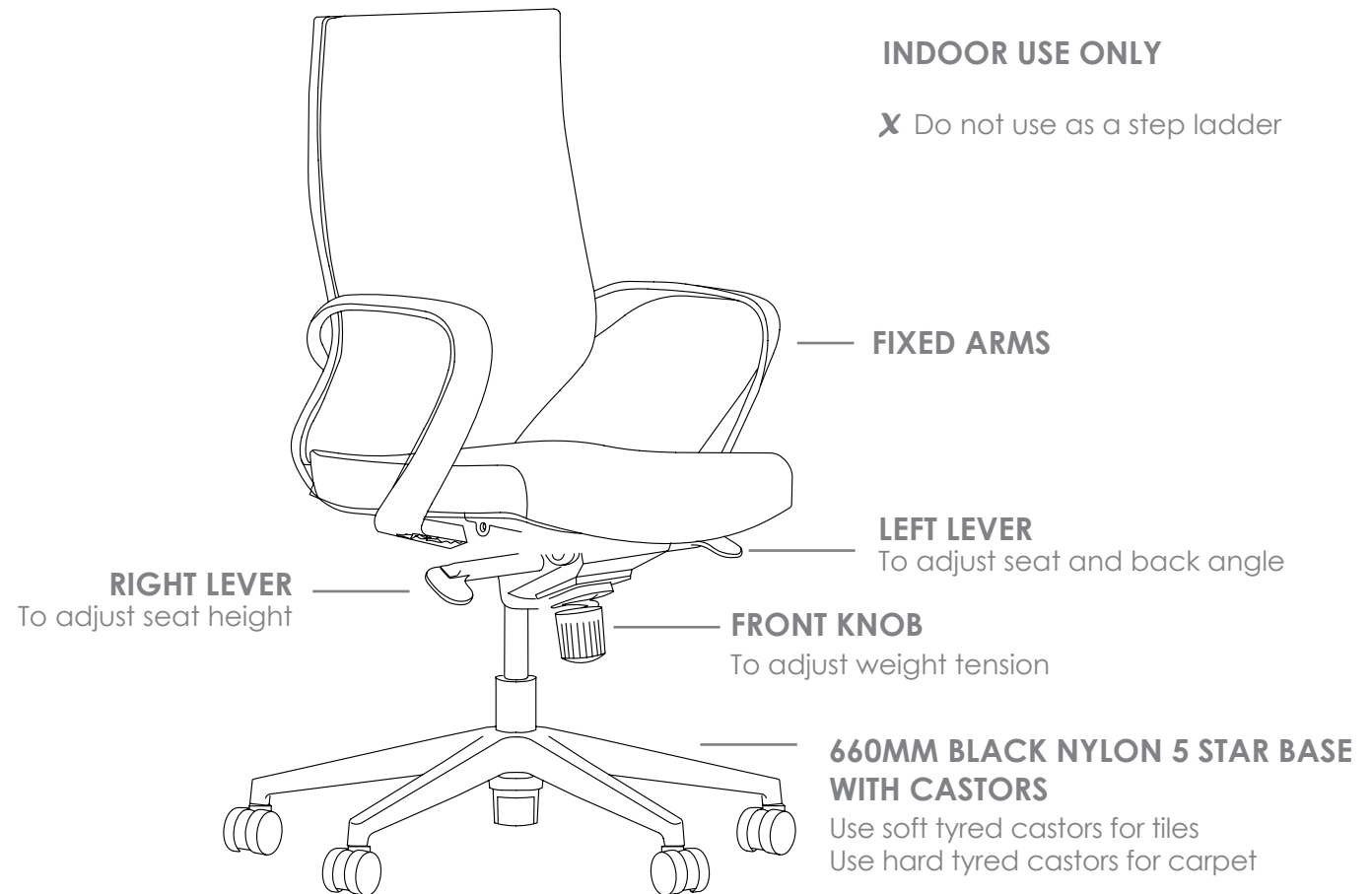


FEATURES

- » Adjustable seat height
- » Adjustable seat and back angle
- » Adjustable weight tension
- » Fixed arms
- » Mesh black
- » Knee tilt mechanism with 3 locking positions
- » 660mm black nylon base
- » Available in black only
- » Minor assembly required
- » Suitable for indoor use only
- » 5 year warranty
- » Weight limit is 120kg

INDOOR USE ONLY

X Do not use as a step ladder



GALA

GALA BOARDROOM SEATING



GALA



BACK VIEW



SIDE VIEW

R2 BOARDROOM SEATING

CHEVY

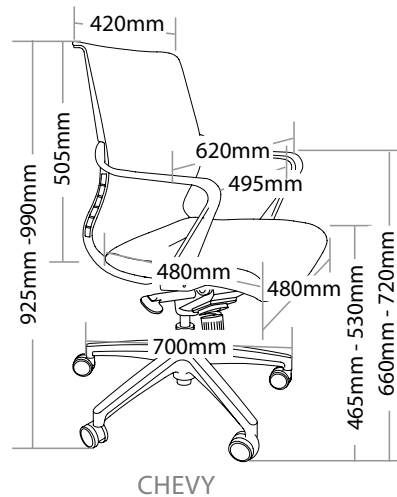
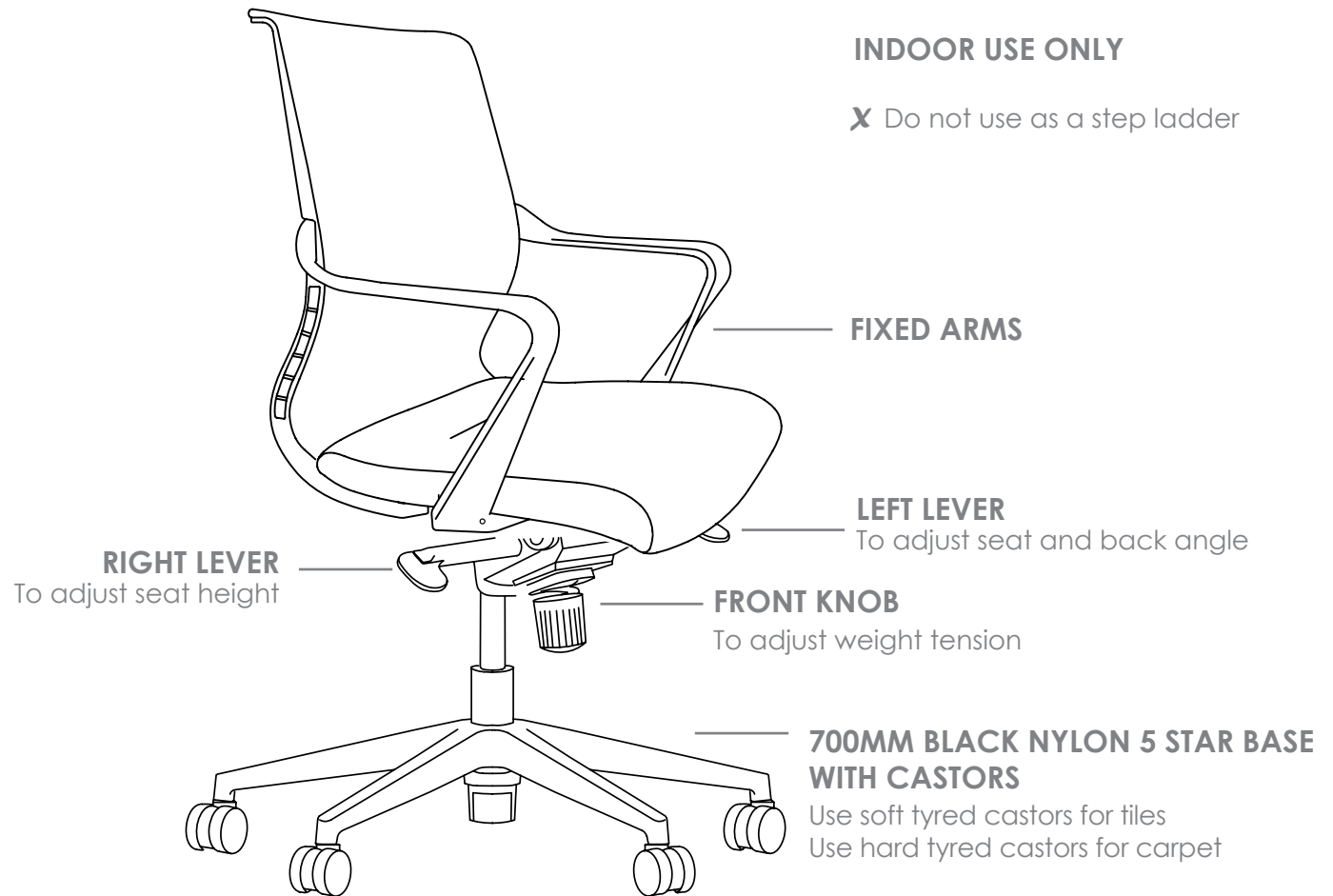


FEATURES

- » Adjustable seat height
- » Adjustable seat and back angle
- » Adjustable weight tension
- » Fixed arms
- » Mesh back
- » Knee tilt mechanism with 3 locking positions
- » 700mm black nylon base
- » Available in black only
- » Minor assembly required
- » Suitable for indoor use only
- » 5 year warranty
- » Weight limit is 120kg

INDOOR USE ONLY

X Do not use as a step ladder



CHEVY BOARDROOM SEATING



CHEVY



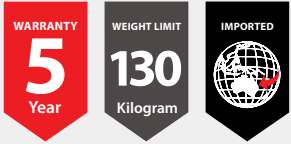
BACK VIEW



SIDE VIEW

R2 BOARDROOM SEATING

VOLT

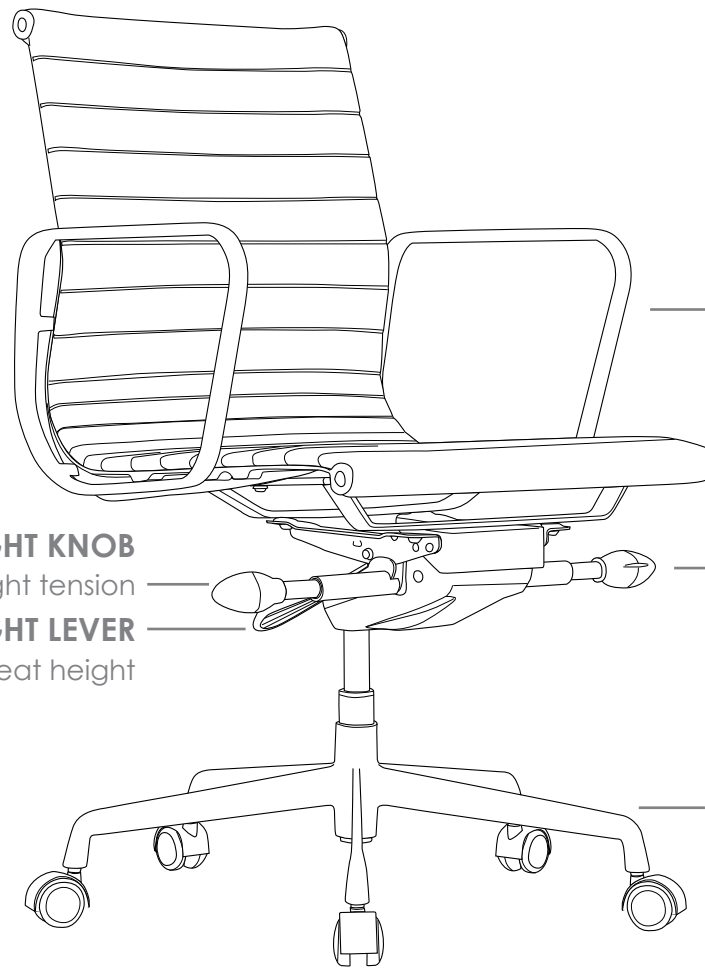


FEATURES

- » Adjustable seat height
- » Adjustable seat and back angle
- » Adjustable weight tension
- » Fixed arms
- » Knee tilt mechanism with 3 locking positions
- » 660mm heavy duty black aluminium 5 star base with castors
- » Black powder coated frame
- » Available in black mesh, terracotta PU, tan PU and black PU
- » Minor assembly required
- » Suitable for indoor use only
- » 5 year warranty
- » Weight limit is 130kg

INDOOR USE ONLY

X Do not use as a step ladder



RIGHT KNOB
To adjust weight tension

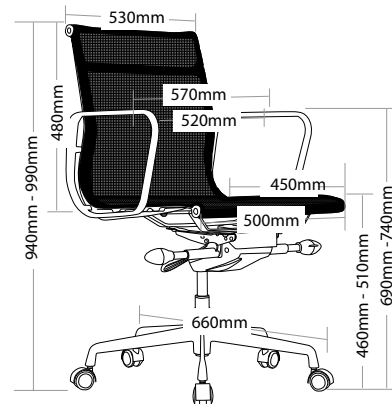
INNER RIGHT LEVER
To adjust seat height

FIXED ARMS

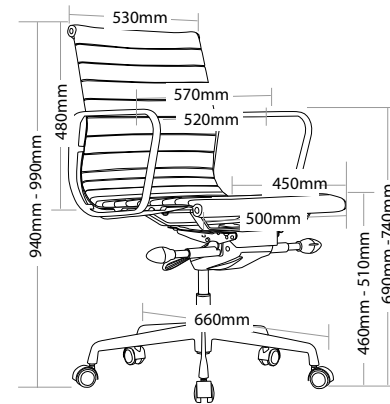
LEFT KNOB
To adjust seat and back angle

660MM HEAVY DUTY BLACK ALUMINIUM 5 STAR BASE WITH CASTORS

Use soft tyred castors for tiles
Use hard tyred castors for carpet



VOLT-ME



VOLT

VOLT BOARDROOM SEATING



VOLT-ME



VOLT-TE



VOLT-TA



VOLT-BL

R3 MULTI SHIFT SEATING

LOGAN

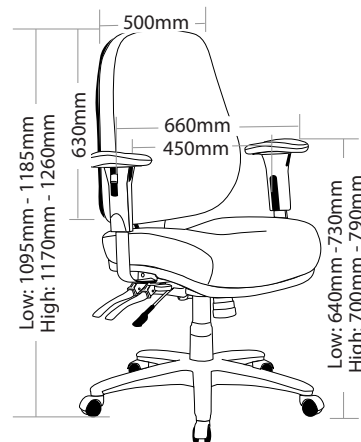
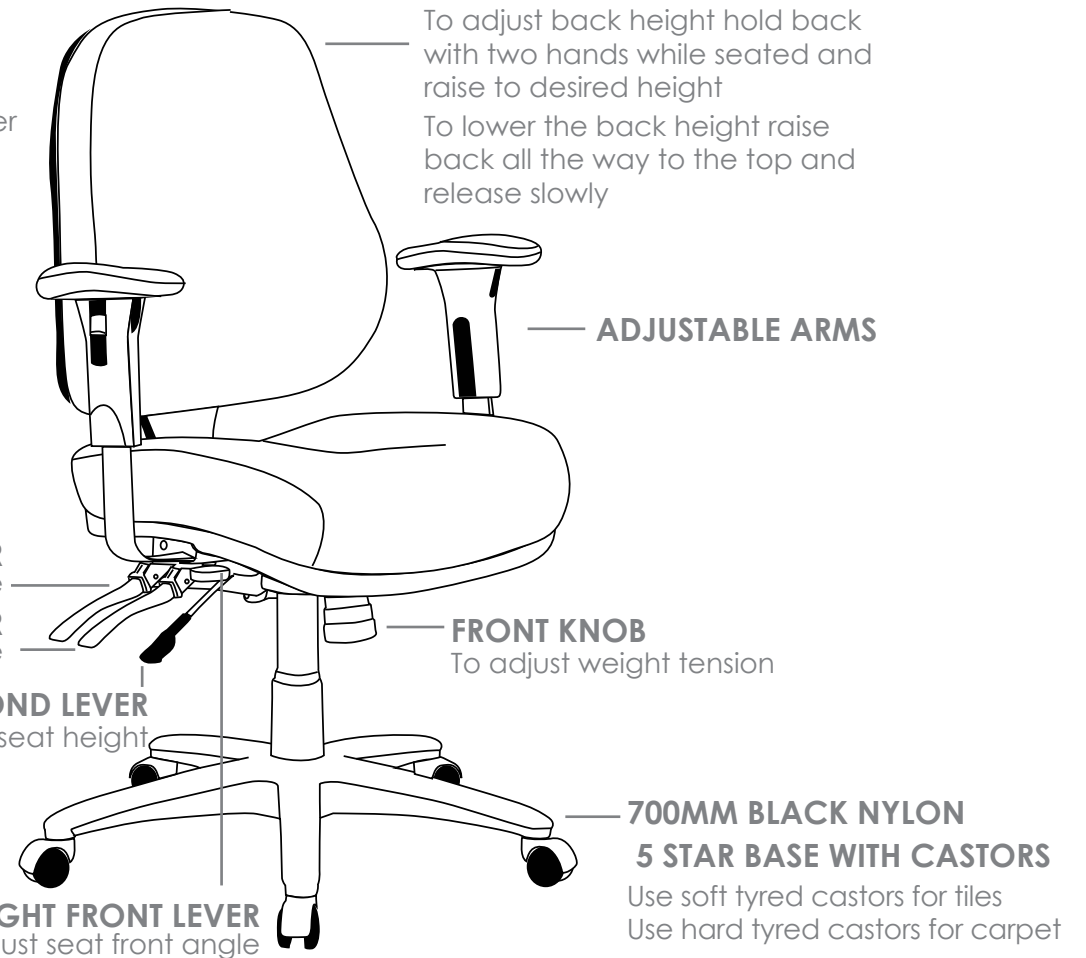


FEATURES

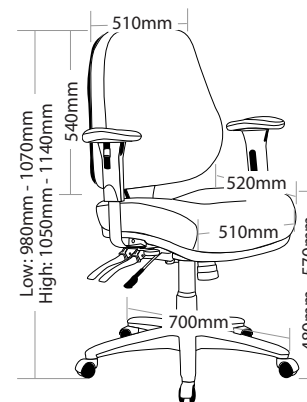
- » Adjustable seat height
- » Adjustable back height (ratchet)
- » Adjustable seat and back angle
- » Adjustable weight tension
- » Adjustable arms
- » Available in high and low back
- » Moulded seat and back foam
- » 4 lever ergonomic mechanism
- » 700mm black nylon base
- » Available in black only
- » Minor assembly required
- » Suitable for indoor use only
- » 10 year warranty
- » Weight limit is 140kg

INDOOR USE ONLY

X Do not use as a step ladder



LOGAN-H



LOGAN-L

LOGAN MULTI SHIFT SEATING



LOGAN-H



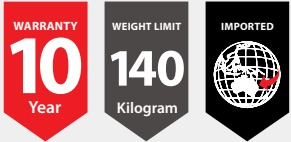
LOGAN-L



BACK VIEW

R3 MULTI SHIFT SEATING

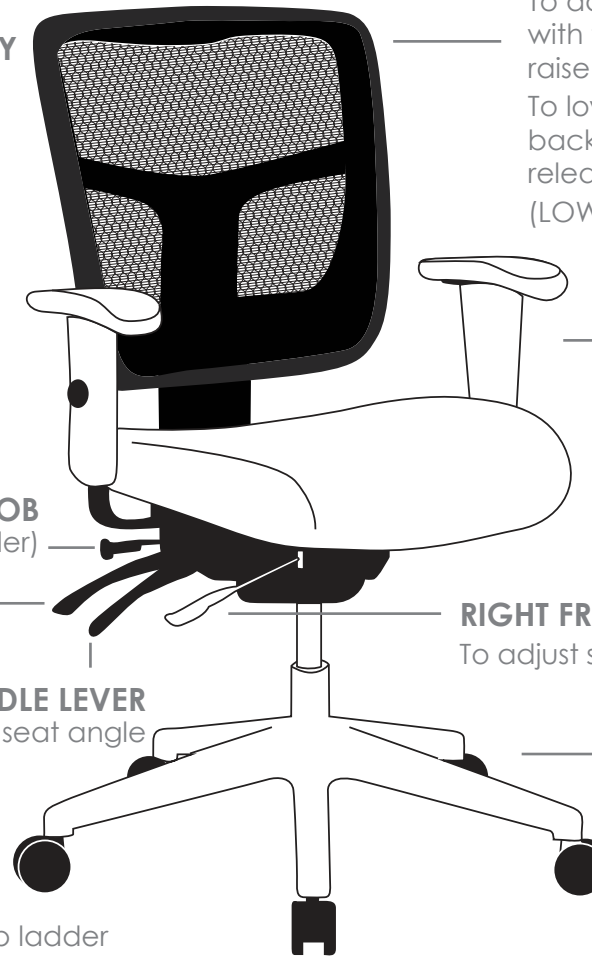
OYSTER



FEATURES

- » Adjustable seat height
- » Adjustable back height (ratchet) (available in low back only)
- » Adjustable seat and back angle
- » Adjustable seat depth (seat slider)
- » Adjustable arms
- » Available in high, medium and low back
- » Moulded seat foam
- » Mesh back
- » 4 lever ergonomic mechanism
- » 700mm aluminium base
- » Available in black only
- » Minor assembly required
- » Suitable for indoor use only
- » 10 year warranty
- » Weight limit is 140kg

INDOOR USE ONLY



To adjust back height hold back with two hands while seated and raise to desired height
To lower the back height raise back all the way to the top and release slowly
(LOW BACK ONLY)

ADJUSTABLE ARMS

RIGHT BACK KNOB

To adjust seat depth (seat slider)

RIGHT BACK LEVER

To adjust back angle

RIGHT MIDDLE LEVER

To adjust seat angle

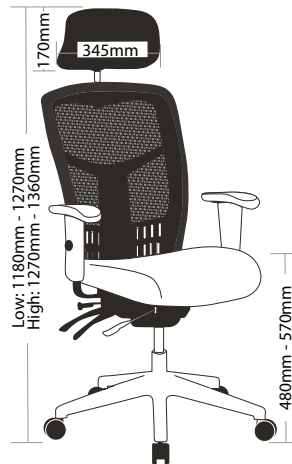
RIGHT FRONT LEVER

To adjust seat height

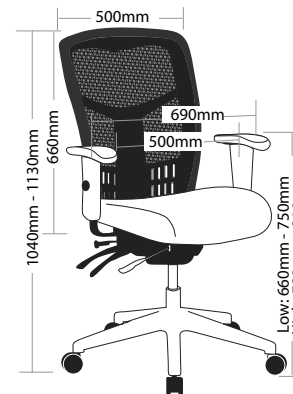
700MM ALUMINIUM 5 STAR BASE WITH CASTORS

Use soft tyred castors for tiles
Use hard tyred castors for carpet

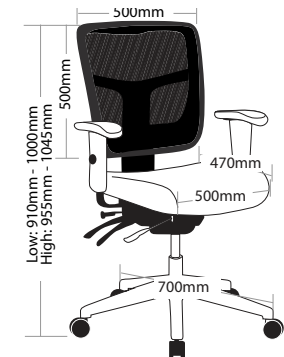
Do not use as a step ladder



OYEX1-H



OYEX1-M



OYEX1-L

OYSTER MULTI SHIFT SEATING



OYEX1-H



OYEX1-M



OYEX1-L

R3 MULTI SHIFT SEATING

ROVER

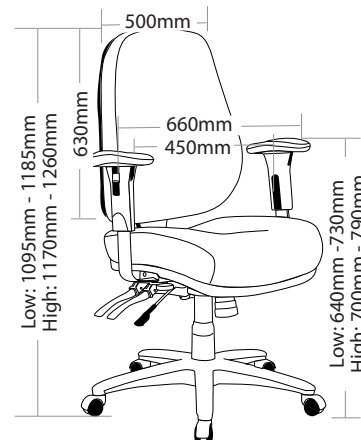
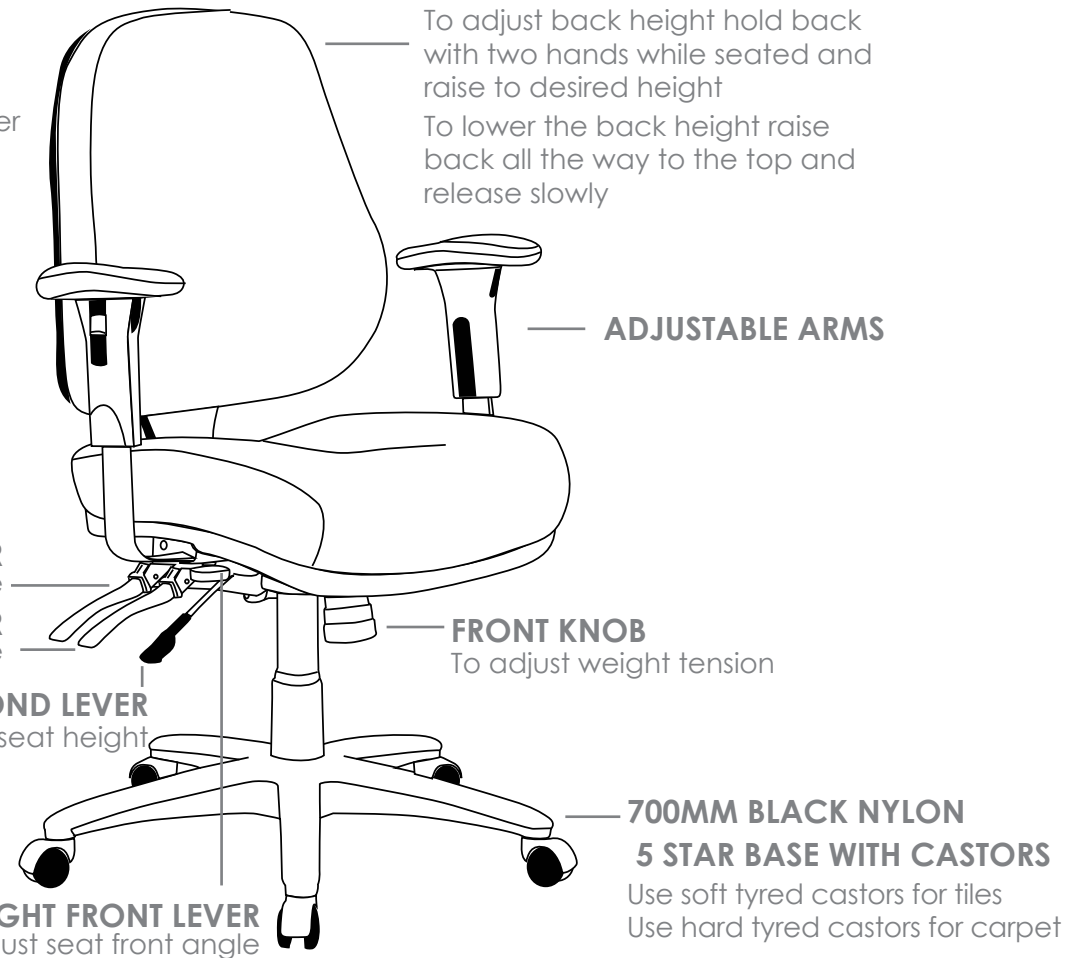


FEATURES

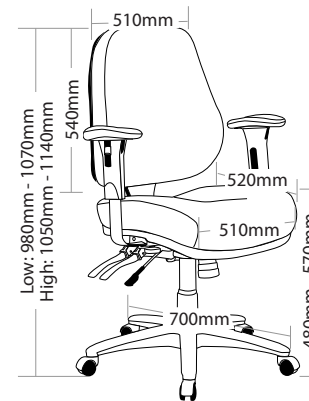
- » Adjustable seat height
- » Adjustable back height (ratchet)
- » Adjustable seat and back angle
- » Adjustable weight tension
- » Adjustable arms
- » Available in high and low back
- » Moulded seat and back foam
- » 4 lever ergonomic mechanism
- » 700mm black nylon base
- » Available in black leather only
- » Minor assembly required
- » Suitable for indoor use only
- » 10 year warranty
- » Weight limit is 140kg

INDOOR USE ONLY

X Do not use as a step ladder



ROVER-1HA



ROVER-1LA

ROVER MULTI SHIFT SEATING



ROVER-1HA



ROVER-1LA



BACK VIEW

R3 MULTI SHIFT SEATING

RANGER



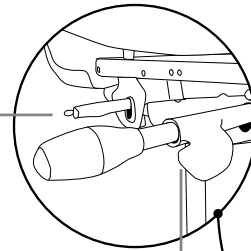
FEATURES

- » Adjustable seat height
- » Adjustable seat and back angle
- » Adjustable seat depth (seat slider)
- » Adjustable weight tension
- » Adjustable headrest
- » Adjustable arms
- » Moulded seat and back foam
- » Saddle seat
- » Double steel strengthened for both seat and back
- » Synchron mechanism with 3 locking positions
- » 720mm aluminium base
- » Available in black and grey only
- » AFRDI tested to level 6
- » AFRDI tested to multi shift use 160kg
- » Minor assembly required
- » Suitable for indoor use only
- » 7 year warranty
- » Weight limit is 160kg

INDOOR USE ONLY

✗ Do not use as a step ladder

INNER BACK LEVER
To adjust seat angle (Forwards)



INNER RIGHT LEVER
To adjust seat height

RIGHT KNOB
To adjust weight tension

720MM ALUMINIUM 5 STAR BASE WITH CASTORS

Use soft tyred castors for tiles
Use hard tyred castors for carpet

ADJUSTABLE HEADREST

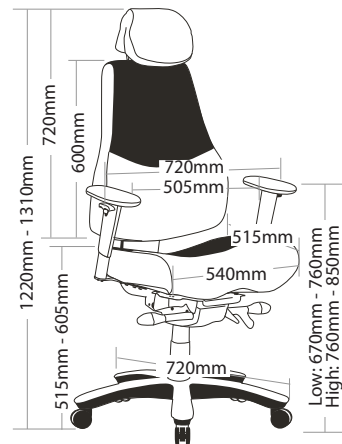
ADJUSTABLE ARMS

LEFT KNOB

To adjust seat and back angle

INNER LEFT LEVER

To adjust seat depth (seat slider)



RANGER

RANGER MULTI SHIFT SEATING



RANGER



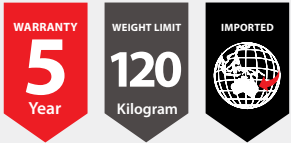
BACK VIEW



SIDE VIEW

R4 EXECUTIVE SEATING

HILTON



FEATURES

HILTON-H/ HILTON-L

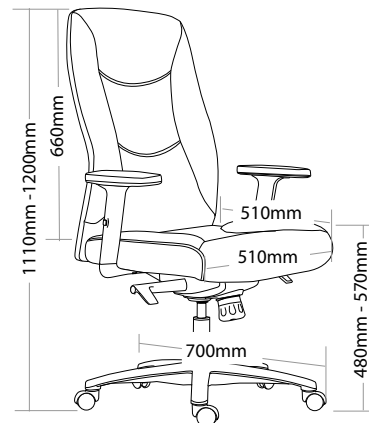
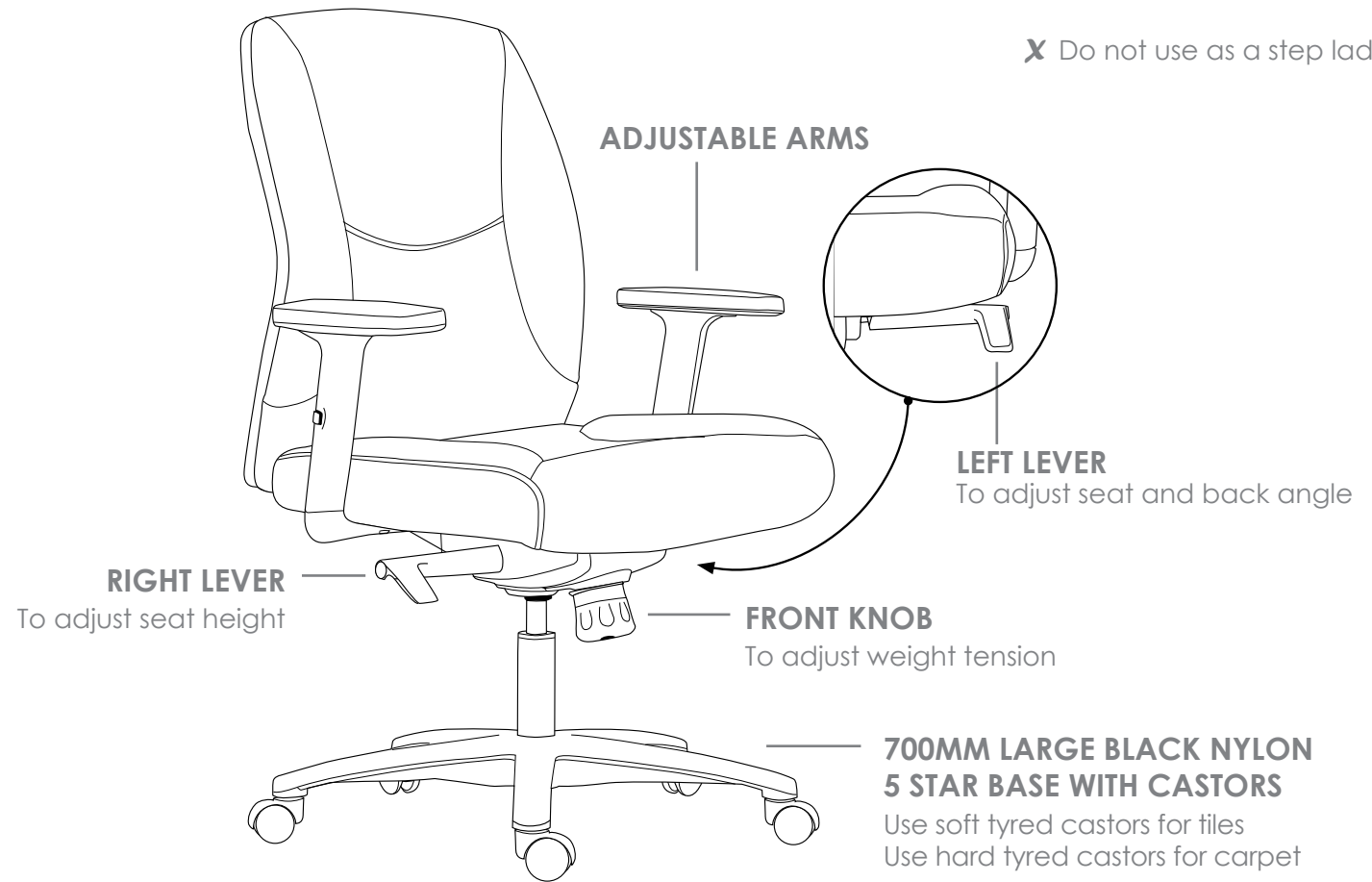
- » Adjustable seat height
- » Adjustable seat and back angle
- » Adjustable weight tension
- » Adjustable arms
- » Available in high and low back
- » Synchron mechanism with 3 locking positions
- » 700mm large black nylon base with castors
- » Available in black PU only
- » Minor assembly required
- » Suitable for indoor use only
- » 5 year warranty
- » Weight limit is 120kg

HILTON-VC

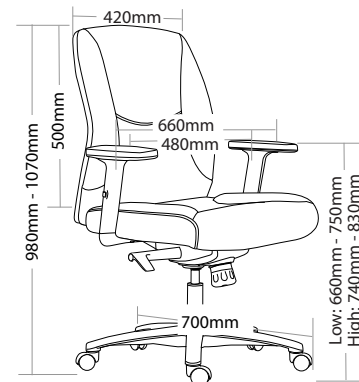
- » Black metal frame
- » Available in black PU only
- » Minor assembly required
- » Suitable for indoor use only
- » 5 year warranty
- » Weight limit is 120kg

INDOOR USE ONLY

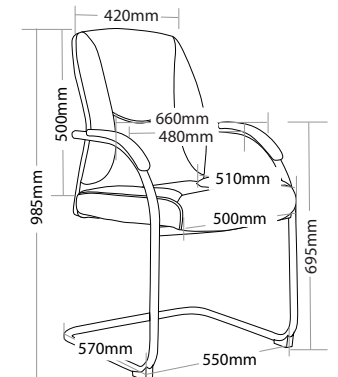
X Do not use as a step ladder



HILTON-H



HILTON-L



HILTON-VC

HILTON EXECUTIVE SEATING



HILTON-H



HILTON-L



HILTON-VC

R4 EXECUTIVE SEATING

CRUZ

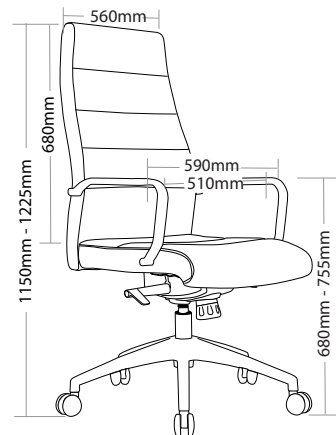
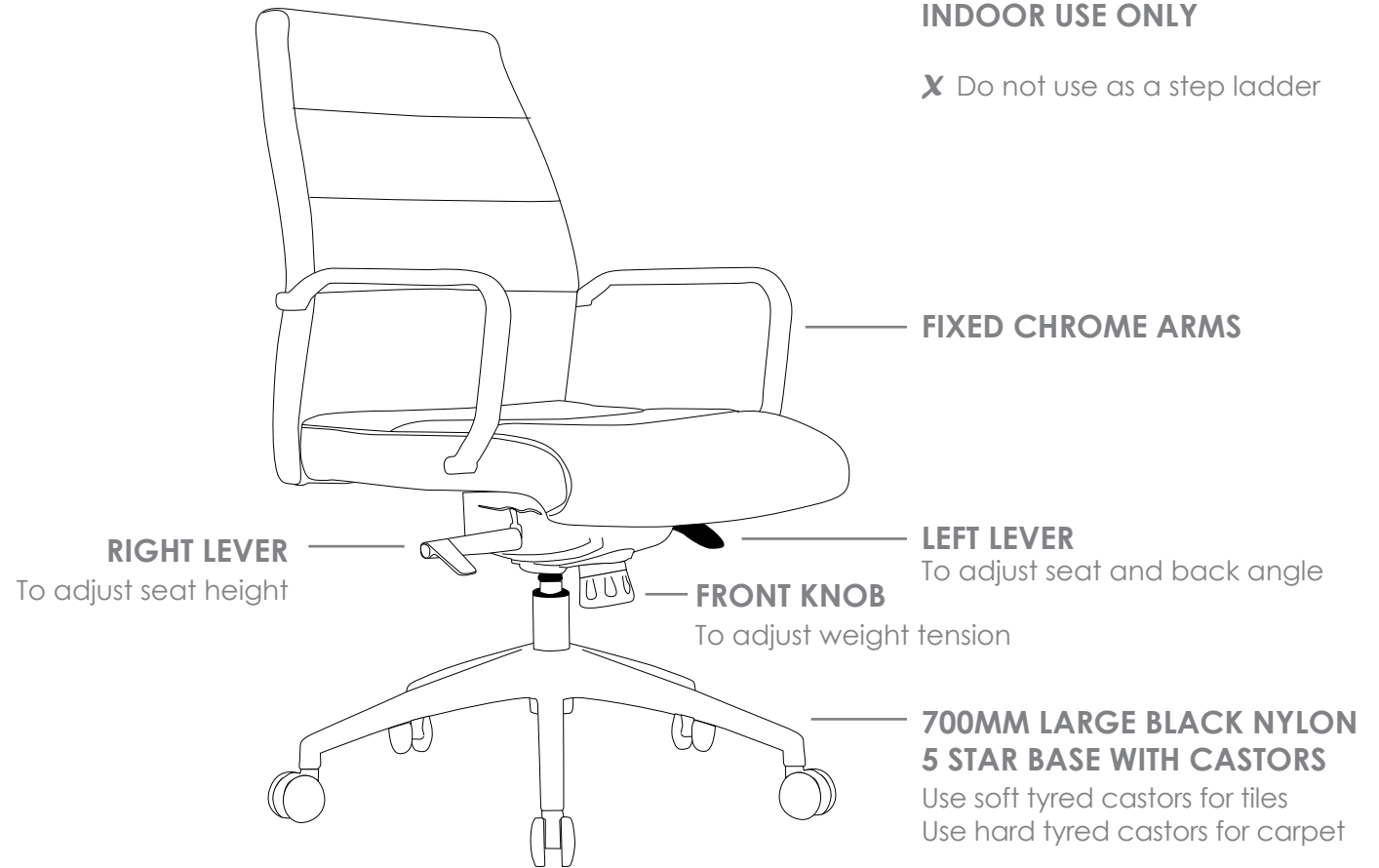


FEATURES

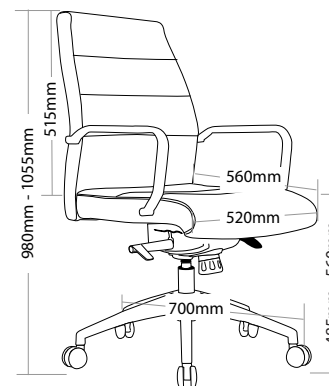
- » Adjustable seat height
- » Adjustable seat and back angle
- » Adjustable weight tension
- » Fixed chrome arms
- » Available in high and low back
- » Knee tilt mechanism with 3 locking positions
- » 700mm aluminium base
- » Available in black PU only
- » Minor assembly required
- » Suitable for indoor use only
- » 5 year warranty
- » Weight limit is 120kg

INDOOR USE ONLY

X Do not use as a step ladder



CRUZ-H



CRUZ-L

CRUZ EXECUTIVE SEATING



CRUZ-H



CRUZ-L



BACKVIEW

R4 EXECUTIVE SEATING

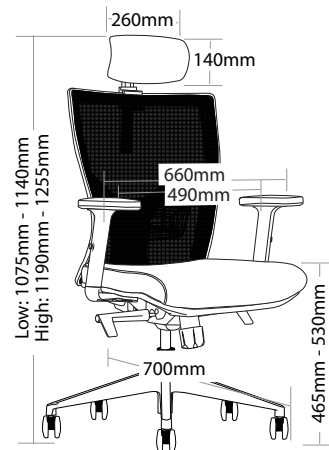
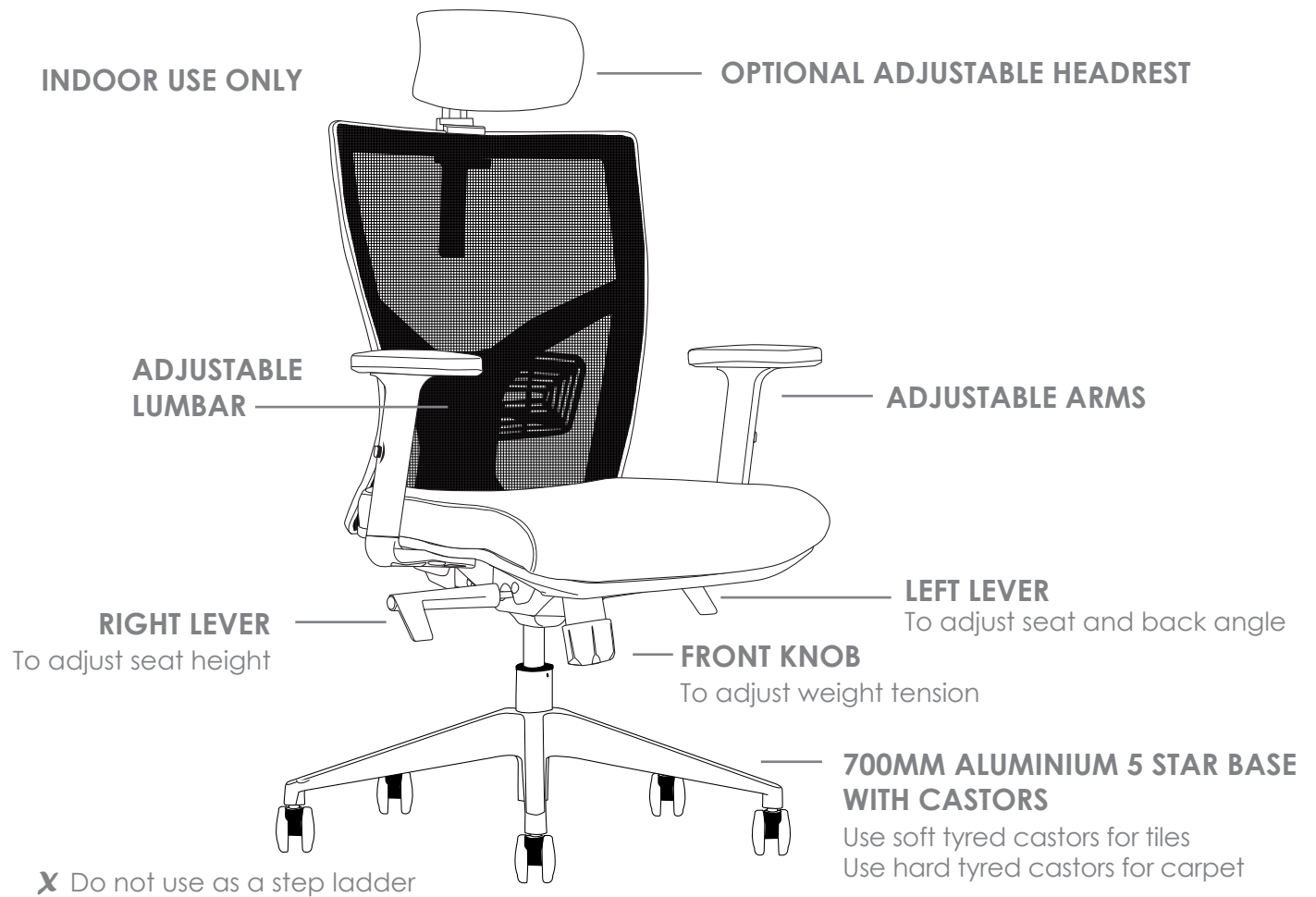
CENTRO



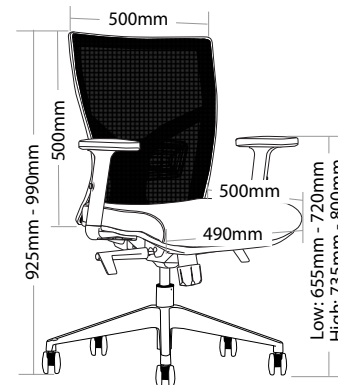
FEATURES

- » Adjustable seat height
- » Adjustable seat and back angle
- » Adjustable weight tension
- » Adjustable lumbar
- » Adjustable arms
- » Optional adjustable headrest
- » Plastic under pan
- » Synchron mechanism with 3 locking positions
- » 700mm aluminium base
- » Available in black only
- » Minor assembly required
- » Suitable for indoor use only
- » 5 year warranty
- » Weight limit is 120kg

INDOOR USE ONLY



CENTRO-H



CENTRO-L

CENTRO EXECUTIVE SEATING



CENTRO-H



CENTRO-L



BACKVIEW

R4 EXECUTIVE SEATING

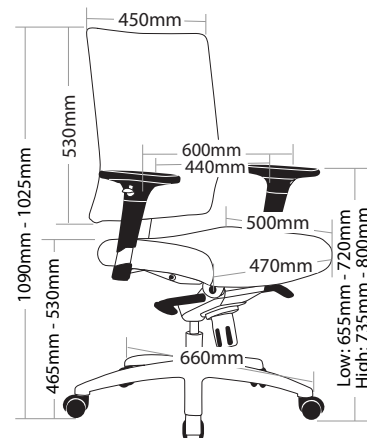
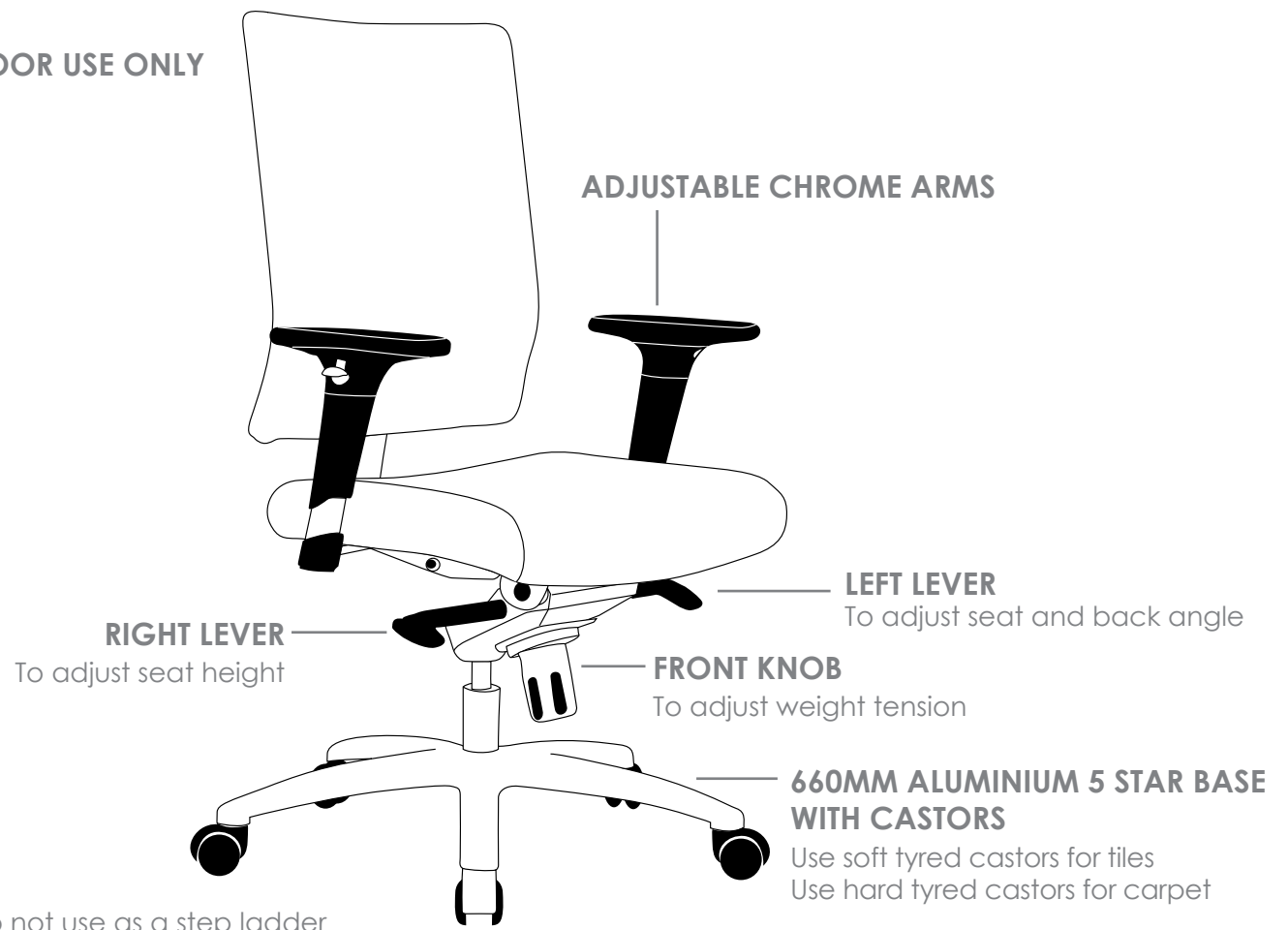
CLEO



FEATURES

- » Adjustable seat height
- » Adjustable seat and back angle
- » Adjustable weight tension
- » Adjustable chrome arms
- » Mesh back
- » Synchron mechanism with 3 locking positions
- » 660mm aluminium 5 star base with castors
- » Available in black only
- » Minor assembly required
- » Suitable for indoor use only
- » 5 year warranty
- » Weight limit is 120kg

INDOOR USE ONLY



CLEO

CLEO EXECUTIVE SEATING



CLEO



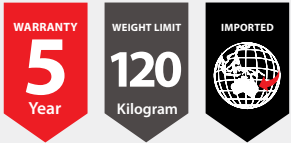
BACK VIEW



SIDE VIEW

R4 EXECUTIVE SEATING

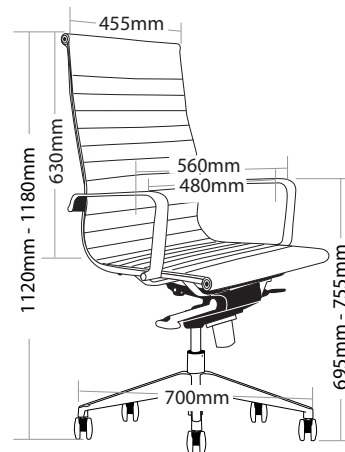
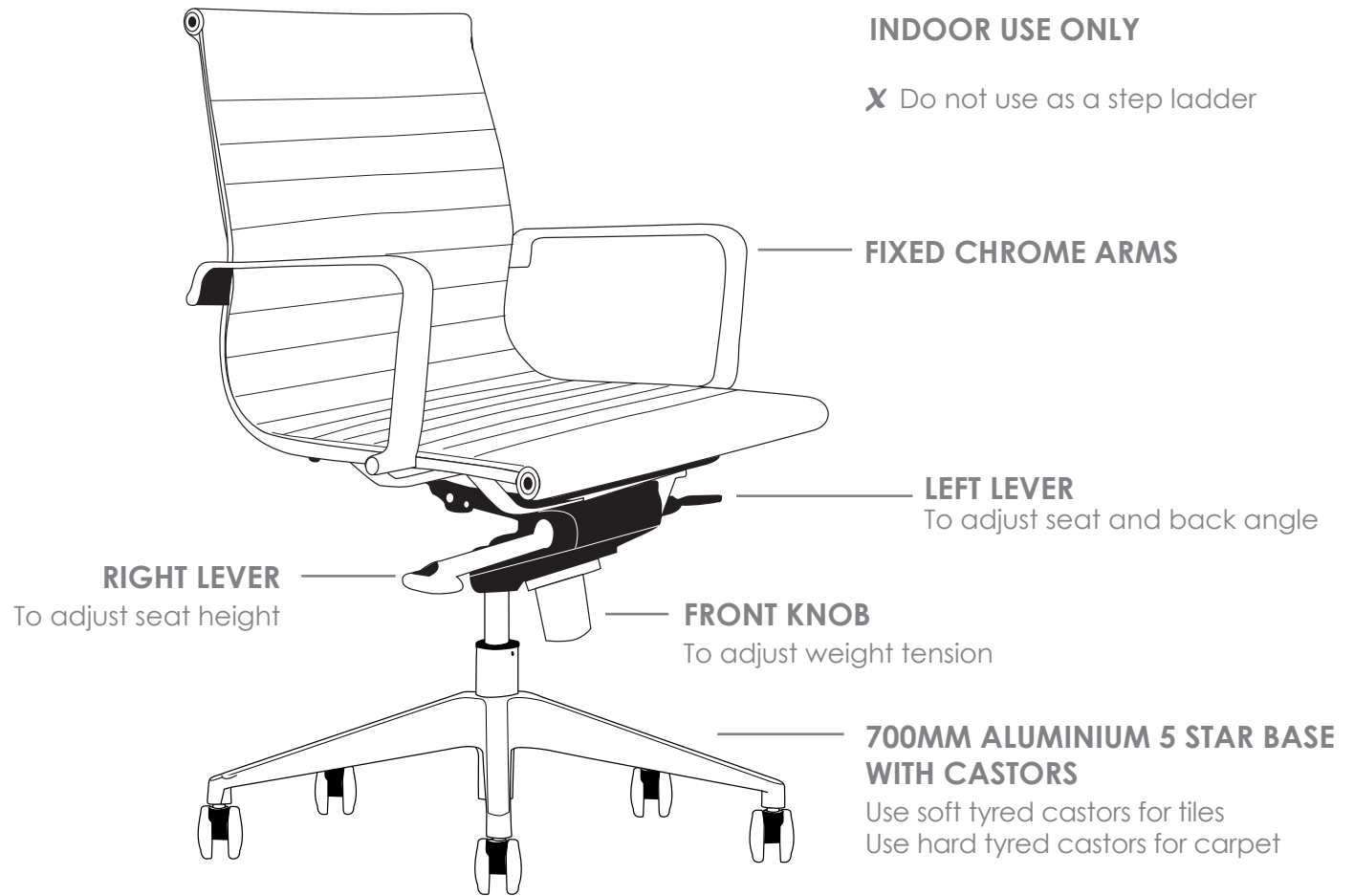
WEB



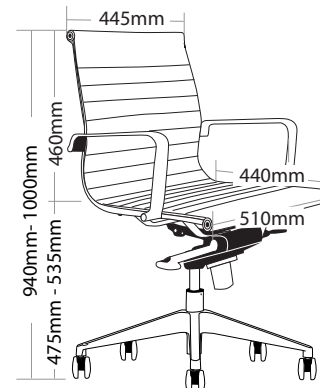
FEATURES

- » Adjustable seat height
- » Adjustable seat and back angle
- » Adjustable weight tension
- » Fixed chrome arms
- » Available in high and low back
- » Knee tilt mechanism with 3 locking positions
- » 700mm aluminium base
- » Available in black, red and white PU only
- » Minor assembly required
- » Suitable for indoor use only
- » 5 year warranty
- » Weight limit is 120kg

COLOUR



WEB-H



WEB-L

WEB EXECUTIVE SEATING



WEB-HB



WEB-HR



WEB-HW



WEB-LB



WEB-LR



WEB-LW

R4 EXECUTIVE SEATING

HUME



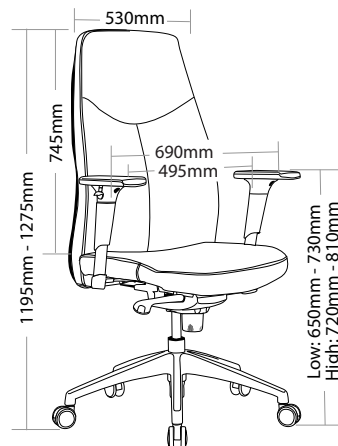
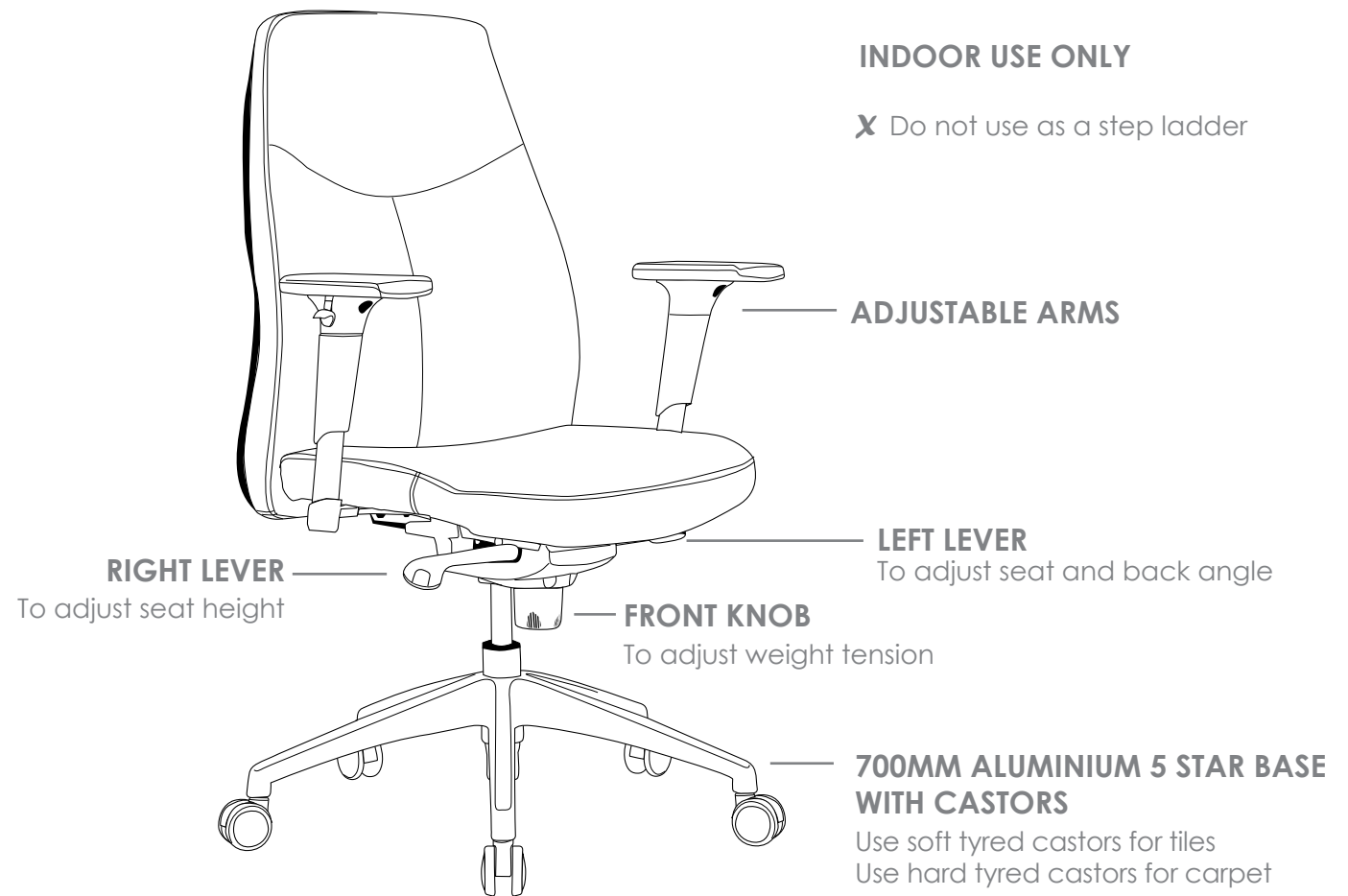
FEATURES

HUME-H/ HUME-L

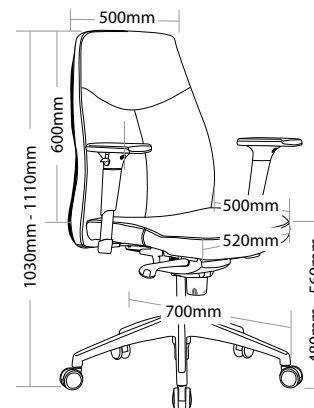
- » Adjustable seat height
- » Adjustable seat and back angle
- » Adjustable weight tension
- » Adjustable arms
- » Available in high and low back
- » High density foam
- » 700mm aluminium base
- » Synchron mechanism with 3 locking positions
- » Available in black PU only
- » Minor assembly required
- » Suitable for indoor use only
- » 5 year warranty
- » Weight limit is 120kg

HUME-VC

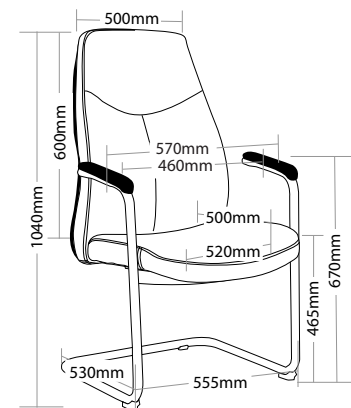
- » Chrome frame
- » High density foam
- » Available in black PU only
- » Minor assembly required
- » Suitable for indoor use only
- » 5 year warranty
- » Weight limit is 120kg



HUME-H



HUME-L



HUME-VC

HUME EXECUTIVE SEATING



HUME-H



HUME-L



HUME-VC

R4 EXECUTIVE SEATING

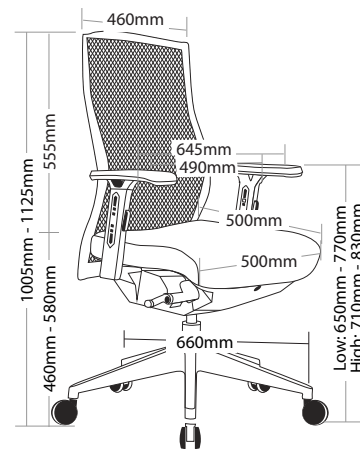
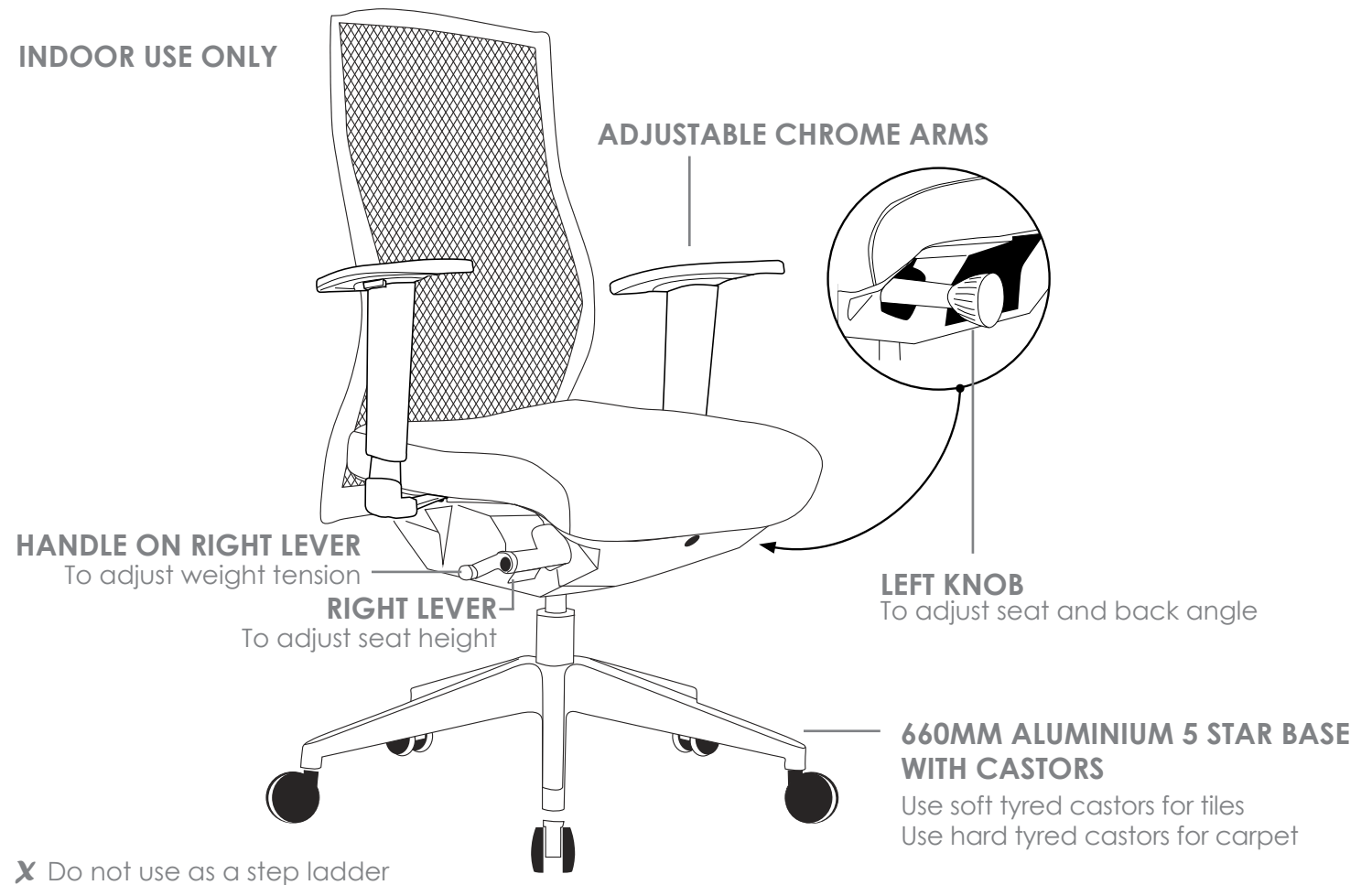
STING



FEATURES

- » Adjustable seat height
- » Adjustable seat and back angle
- » Adjustable weight tension
- » Adjustable chrome arms
- » Plastic deep under pan
- » Mesh back
- » Synchron mechanism with 3 locking positions
- » 660mm aluminium base
- » Available in black only
- » Minor assembly required
- » Suitable for indoor use only
- » 5 year warranty
- » Weight limit is 120kg

INDOOR USE ONLY



STING

STING EXECUTIVE SEATING



STING



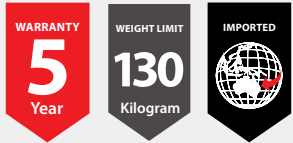
BACK VIEW



SIDE VIEW

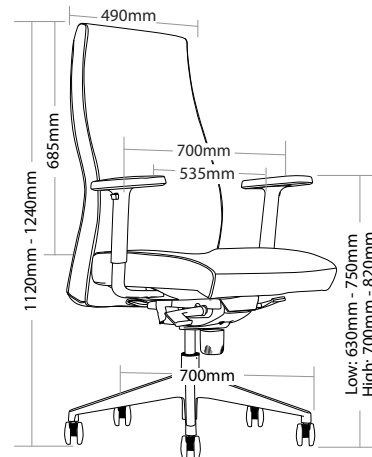
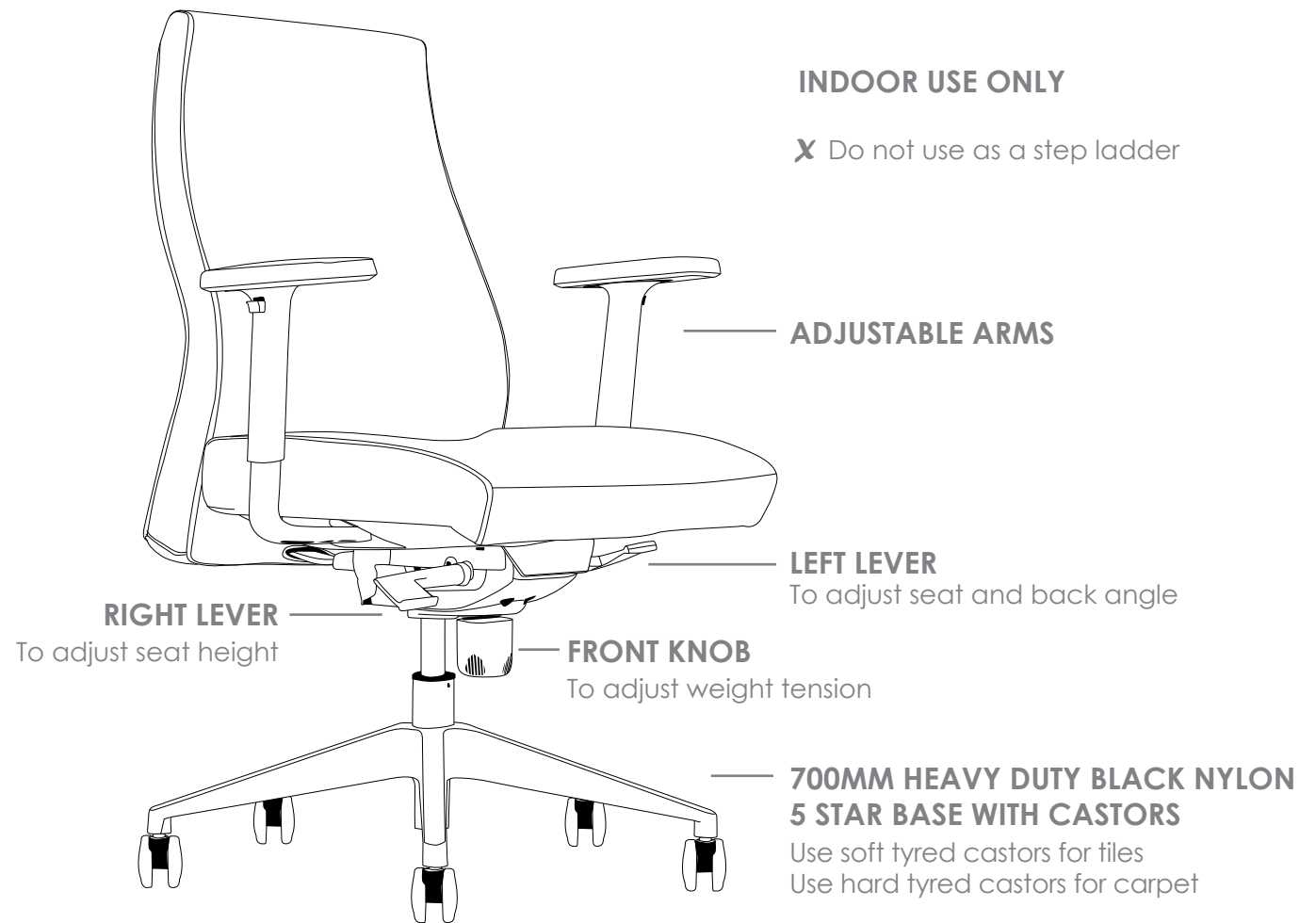
R4 EXECUTIVE SEATING

VENUS

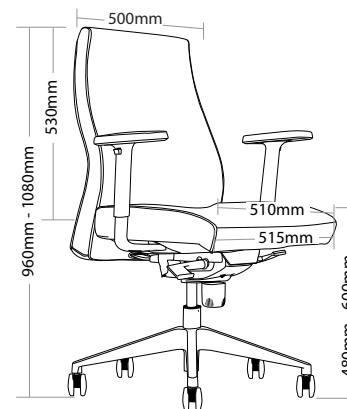


FEATURES

- » Adjustable seat height
- » Adjustable seat and back angle
- » Adjustable weight tension
- » Adjustable arms
- » Available in high and low back
- » Plastic under pan
- » Moulded seat and back foam
- » Synchron mechanism with 3 locking positions
- » 700mm heavy duty black nylon base
- » Available in black PU only
- » Minor assembly required
- » Suitable for indoor use only
- » 5 year warranty
- » Weight limit is 130kg



VENUS-H



VENUS-L

VENUS EXECUTIVE SEATING



VENUS-H



VENUS-L



BACKVIEW

R4 EXECUTIVE SEATING

BOSTON



FEATURES

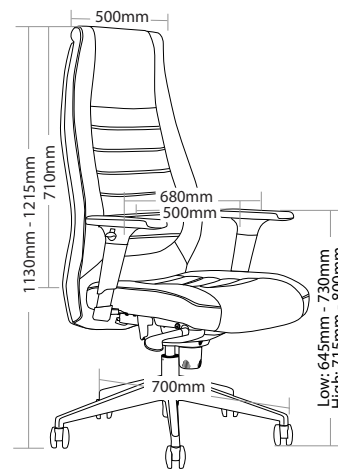
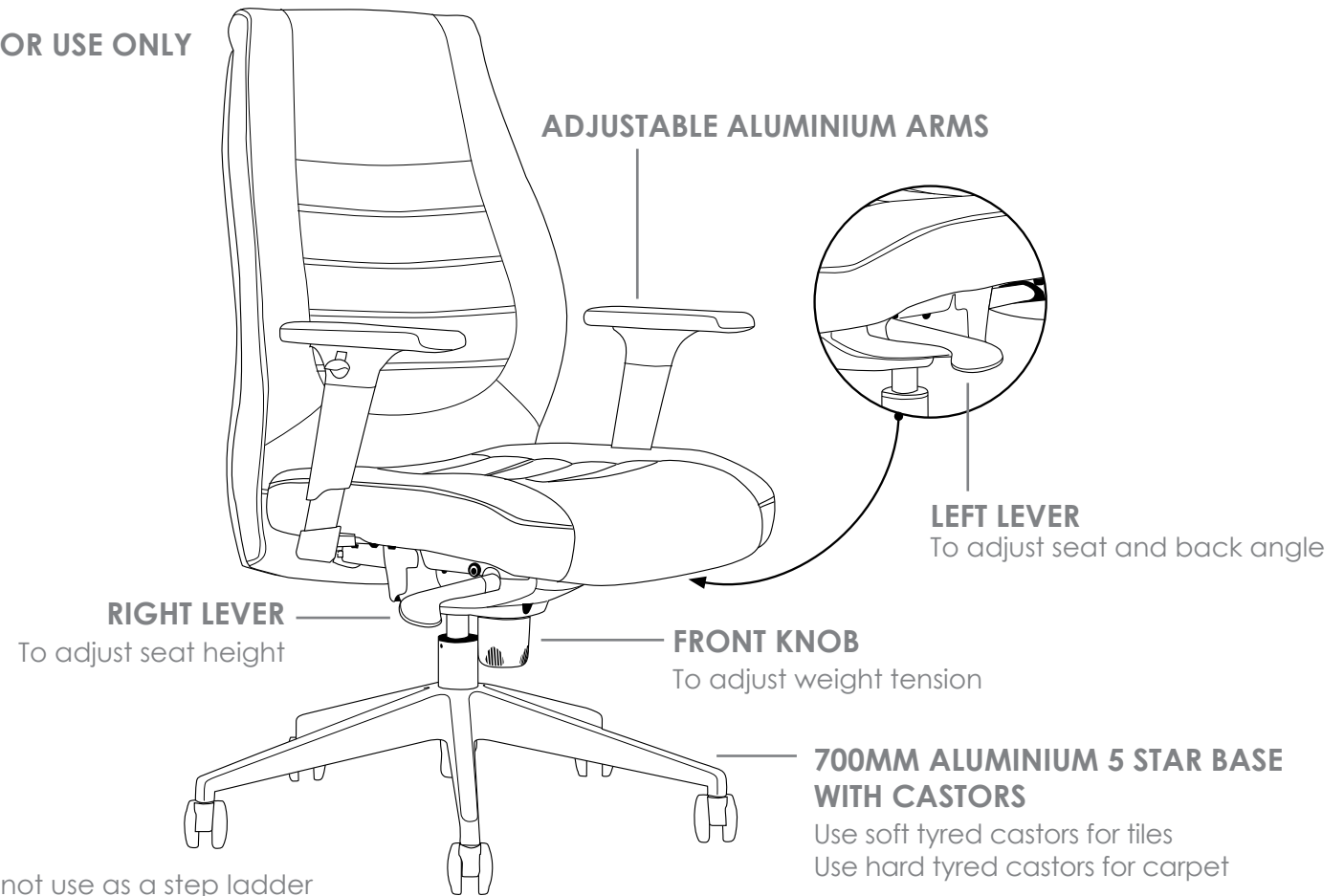
BOSTON-H/ BOSTON-L

- » Adjustable seat height
- » Adjustable seat and back angle
- » Adjustable weight tension
- » Adjustable aluminium arms
- » Available in high and low back
- » High density foam
- » Synchron mechanism with 3 locking positions
- » 700mm aluminium base
- » Available in black PU only
- » Minor assembly required
- » Suitable for indoor use only
- » 5 year warranty
- » Weight limit is 120kg

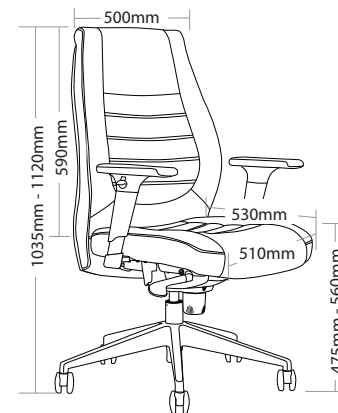
BOSTON-VC

- » Chrome frame
- » High density foam
- » Available in black PU only
- » Minor assembly required
- » Suitable for indoor use only
- » 5 year warranty
- » Weight limit is 120kg

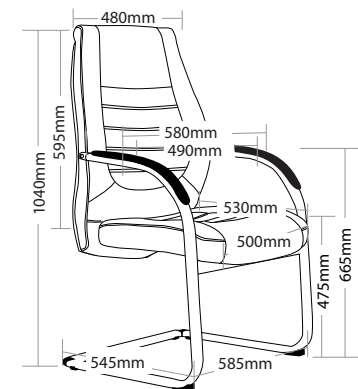
INDOOR USE ONLY



BOSTON-H



BOSTON-L



BOSTON-VC

BOSTON EXECUTIVE SEATING



BOSTON-H



BOSTON-L



BOSTON-VC

R4 EXECUTIVE SEATING

CAMRY



FEATURES

CAMRY-H/ CAMRY-L

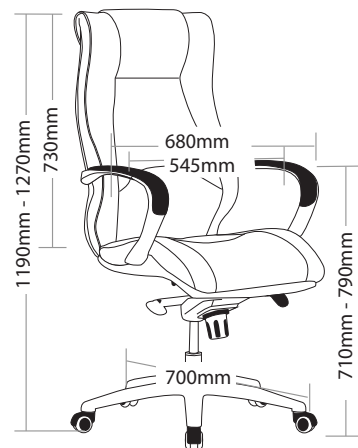
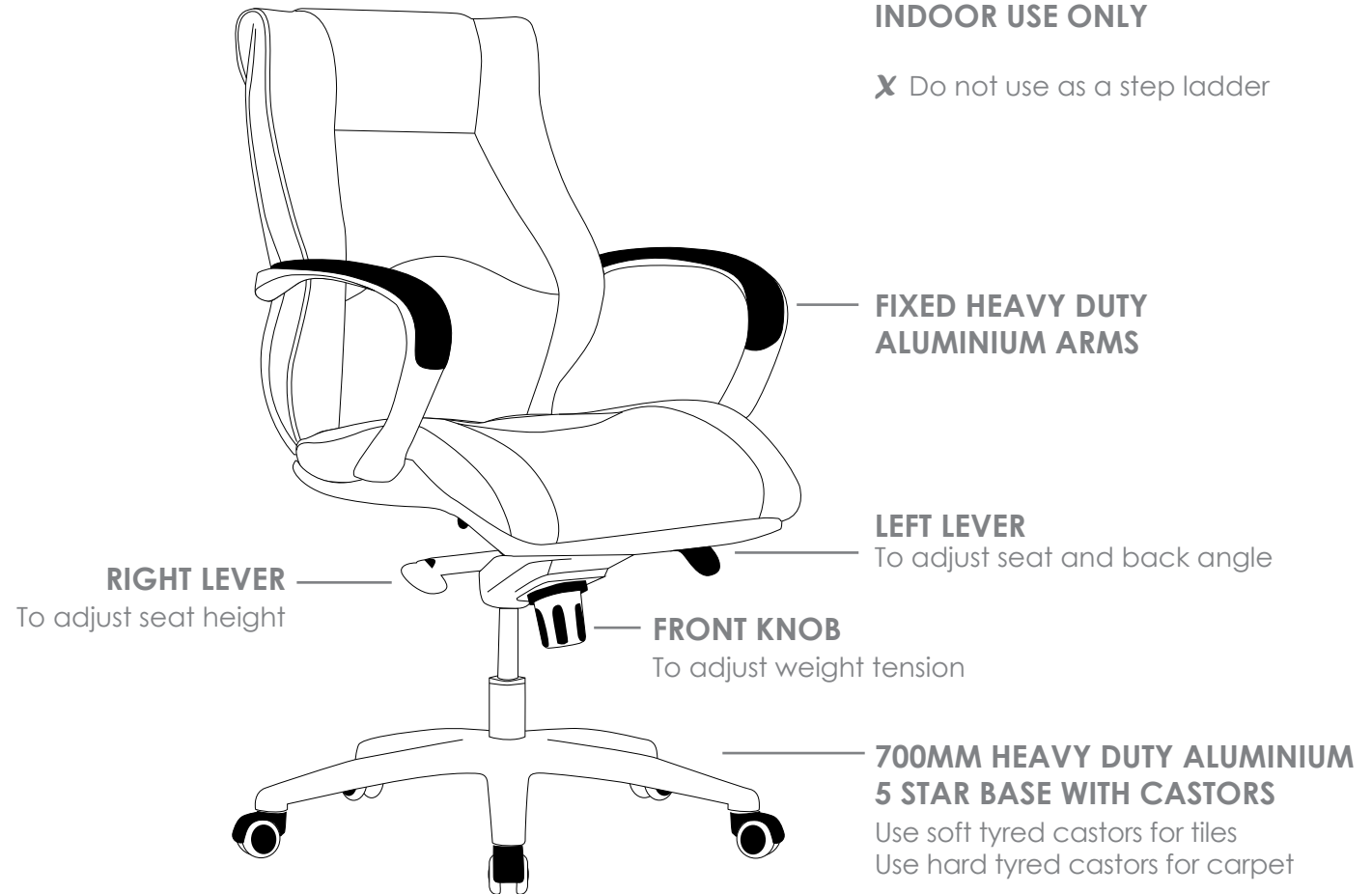
- » Adjustable seat height
- » Adjustable seat and back angle
- » Adjustable weight tension
- » Available in high and low back
- » Fixed heavy duty aluminium arms
- » High density foam
- » Knee tilt mechanism with 3 locking positions
- » 700mm heavy duty aluminium base
- » Available in black PU only
- » Minor assembly required
- » Suitable for indoor use only
- » 5 year warranty
- » Weight limit is 120kg

CAMRY-VC

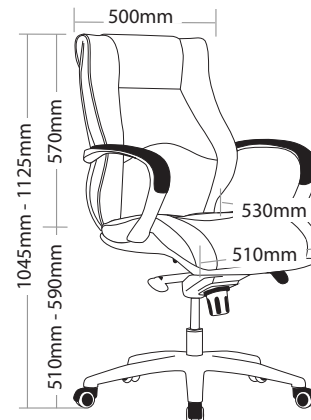
- » Chrome frame
- » High density foam
- » Available in black PU only
- » Minor assembly required
- » Suitable for indoor use only
- » 5 year warranty
- » Weight limit is 120kg

INDOOR USE ONLY

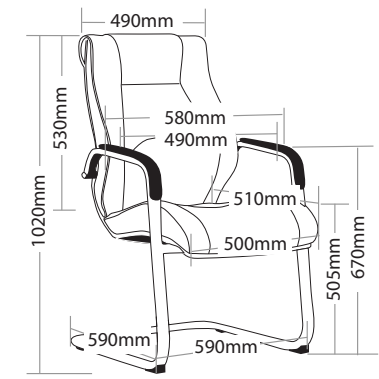
X Do not use as a step ladder



CAMRY-H



CAMRY-L



CAMRY-VC

CAMRY EXECUTIVE SEATING



CAMRY-H



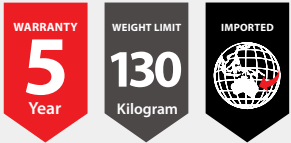
CAMRY-L



CAMRY-VC

R4 EXECUTIVE SEATING

OHIO



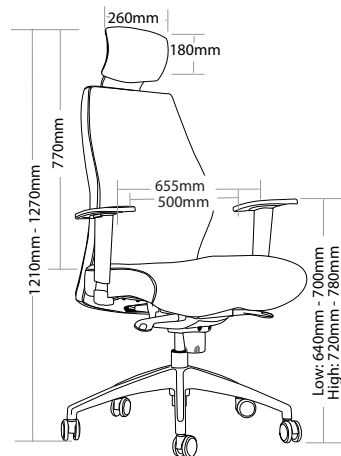
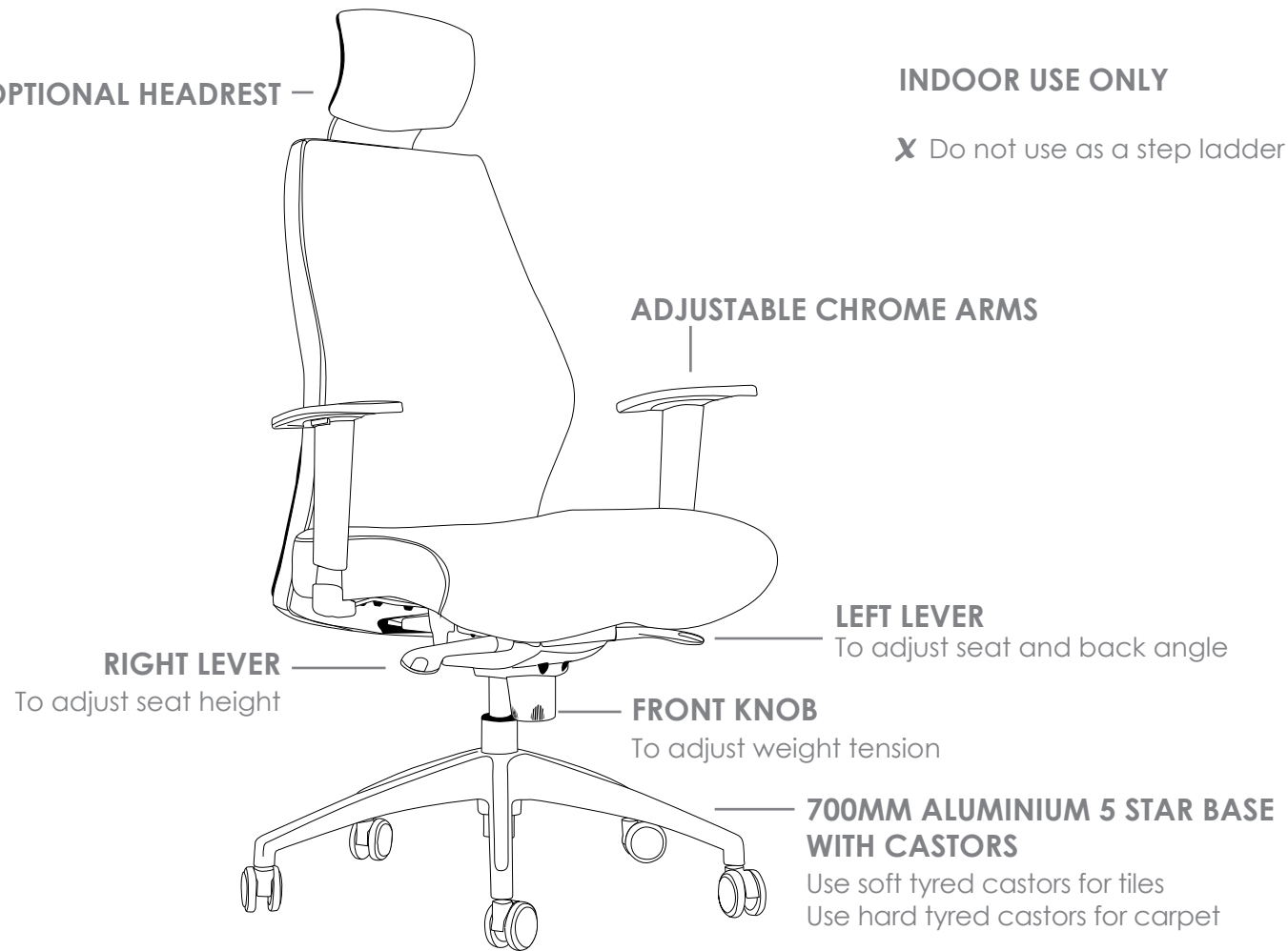
FEATURES

- » Adjustable seat height
- » Adjustable seat and back angle
- » Adjustable weight tension
- » Adjustable chrome arms
- » Optional headrest
- » Moulded back foam
- » Saddle seat
- » Synchron mechanism with 3 locking positions
- » 700mm aluminium base
- » Available in black PU only
- » Minor assembly required
- » Suitable for indoor use only
- » 5 year warranty
- » Weight limit is 130kg

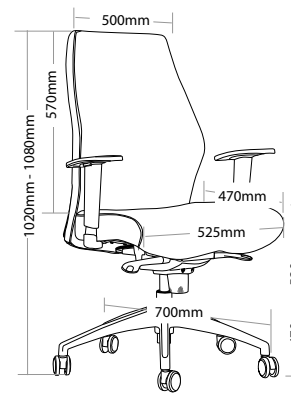
OPTIONAL HEADREST —

INDOOR USE ONLY

✗ Do not use as a step ladder



OHIO-H



OHIO-L

OHIO EXECUTIVE SEATING



OHIO-H



OHIO-L



BACKVIEW

R4 EXECUTIVE SEATING

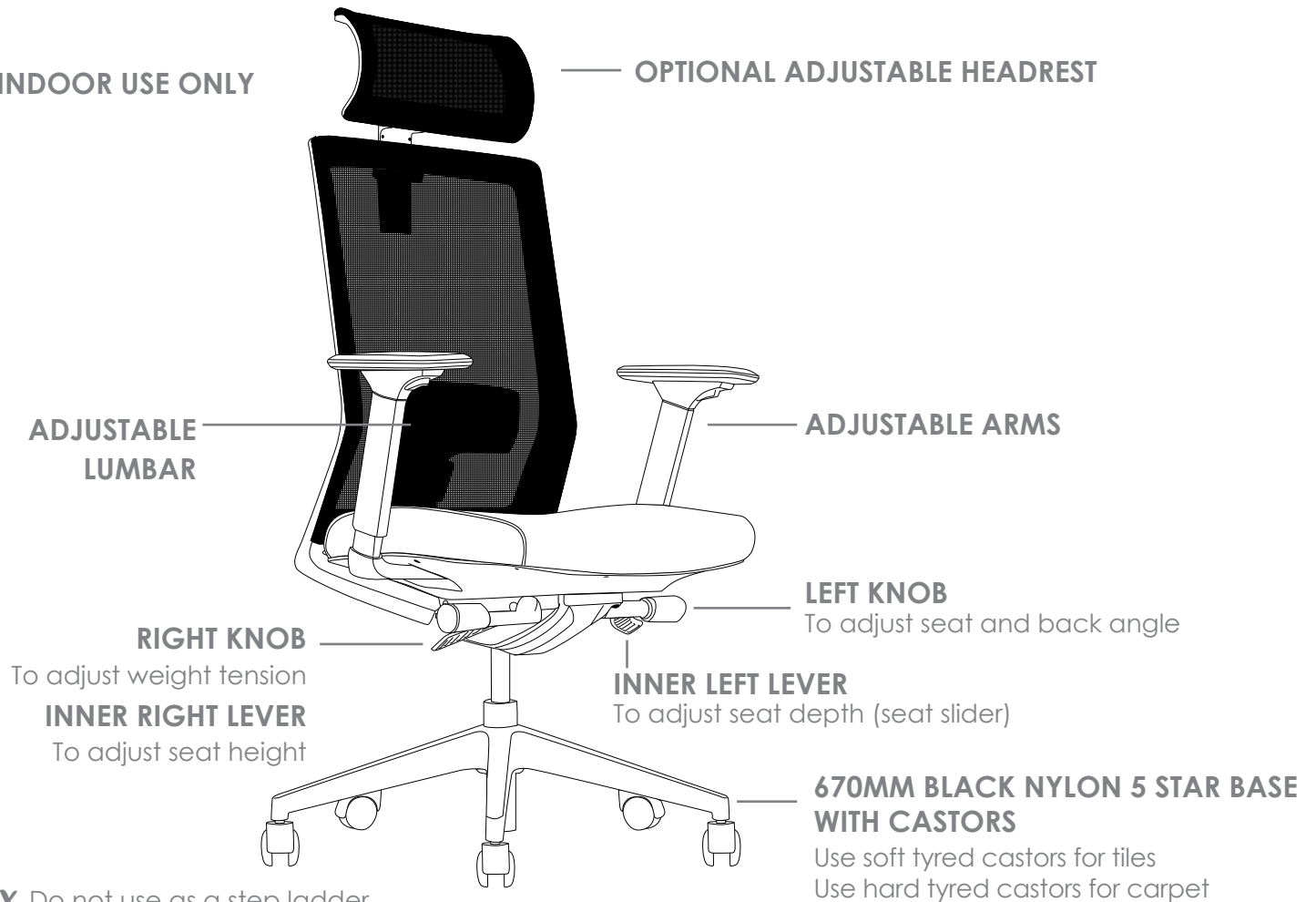
KUBE



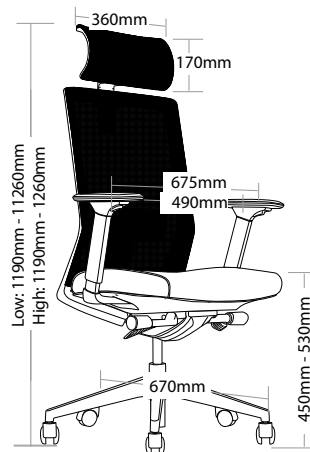
FEATURES

- » Adjustable seat height
- » Adjustable seat and back angle
- » Adjustable seat depth (seat slider)
- » Adjustable weight tension
- » Adjustable lumbar
- » Adjustable arms
- » Optional adjustable headrest
- » Synchron mechanism with 3 locking positions
- » 670mm black nylon 5 star base
- » Available in black only
- » BIFMA tested
- » Minor assembly required
- » Suitable for indoor use only
- » 5 year warranty
- » Weight limit is 130kg

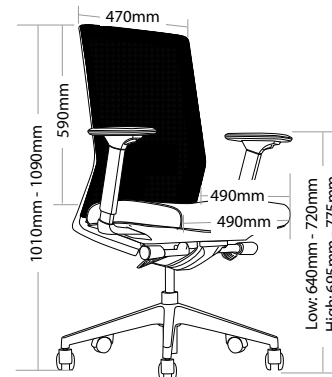
INDOOR USE ONLY



X Do not use as a step ladder



KUBE-H



KUBE-L

KUBE EXECUTIVE SEATING



KUBE-H



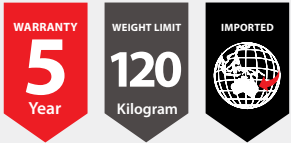
KUBE-L



BACK VIEW

R4 EXECUTIVE SEATING

GRAND



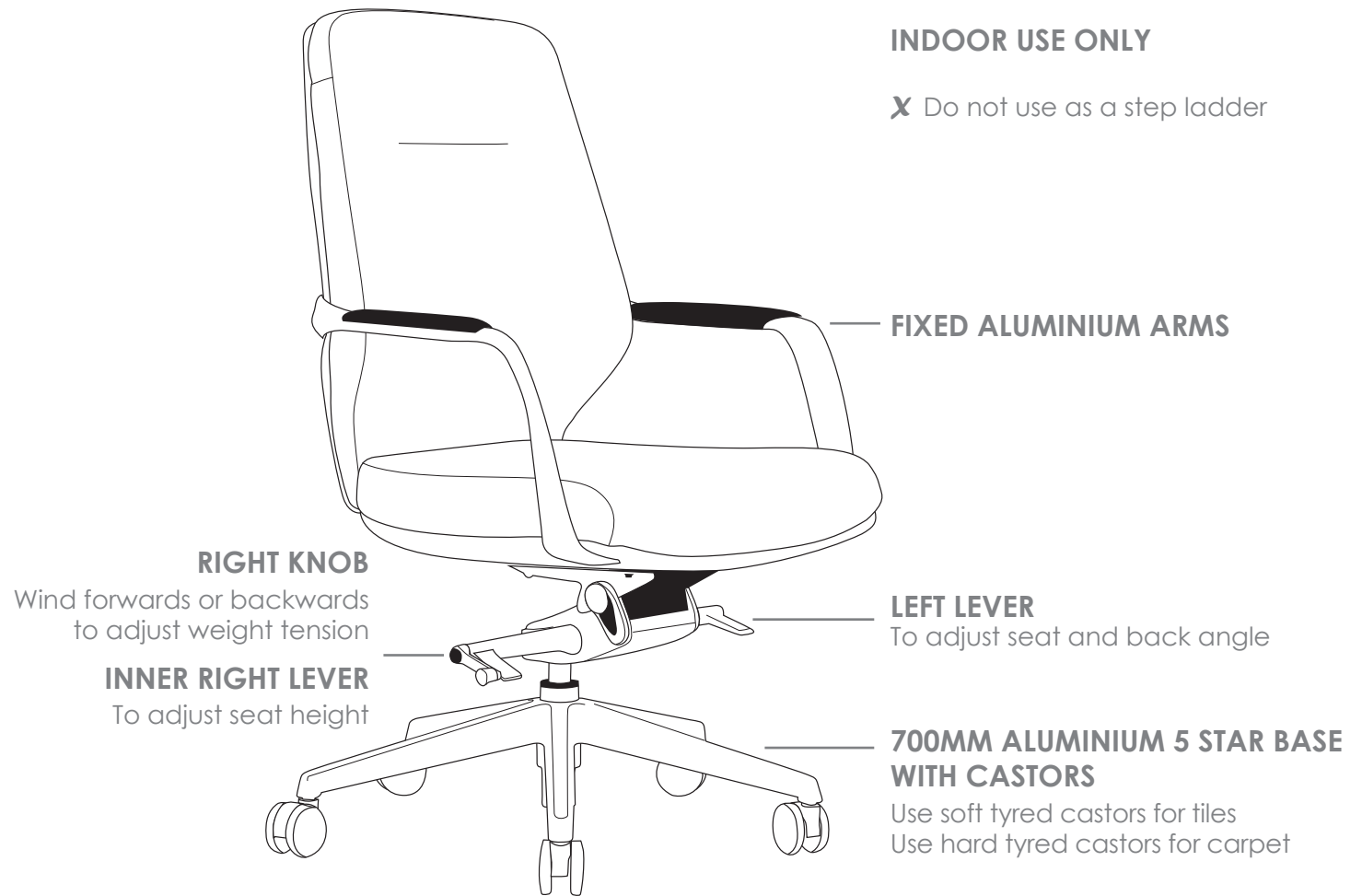
FEATURES

GRAND-H/ GRAND-L

- » Adjustable seat height
- » Adjustable seat and back angle
- » Adjustable weight tension
- » Available in high and low back
- » Fixed aluminium arms
- » High density foam
- » Knee tilt mechanism with 3 locking positions
- » 700mm aluminium base
- » Available in black PU only
- » Minor assembly required
- » Suitable for indoor use only
- » 5 year warranty
- » Weight limit is 120kg

GRAND-VC

- » Chrome frame
- » High density foam
- » Available in black PU only
- » Minor assembly required
- » Suitable for indoor use only
- » 5 year warranty
- » Weight limit is 120kg



INDOOR USE ONLY

X Do not use as a step ladder

FIXED ALUMINIUM ARMS

RIGHT KNOB

Wind forwards or backwards to adjust weight tension

INNER RIGHT LEVER

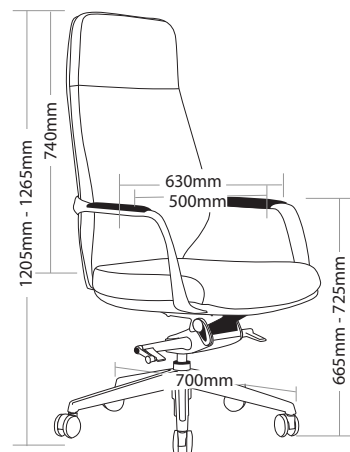
To adjust seat height

LEFT LEVER

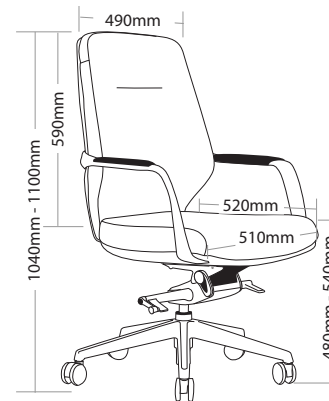
To adjust seat and back angle

700MM ALUMINIUM 5 STAR BASE WITH CASTORS

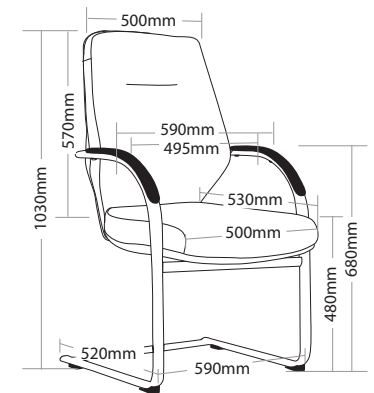
Use soft tyred castors for tiles
Use hard tyred castors for carpet



GRAND-H



GRAND-L



GRAND-VC

GRAND EXECUTIVE SEATING



GRAND-H



GRAND-L



GRAND-VC

R4 EXECUTIVE SEATING

FLASH



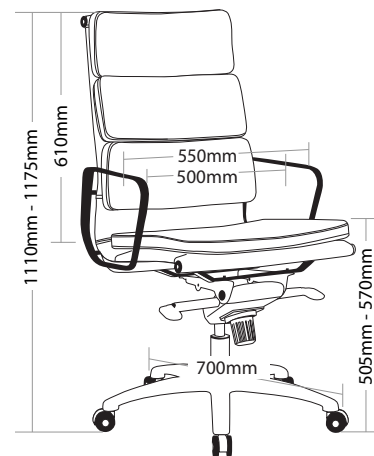
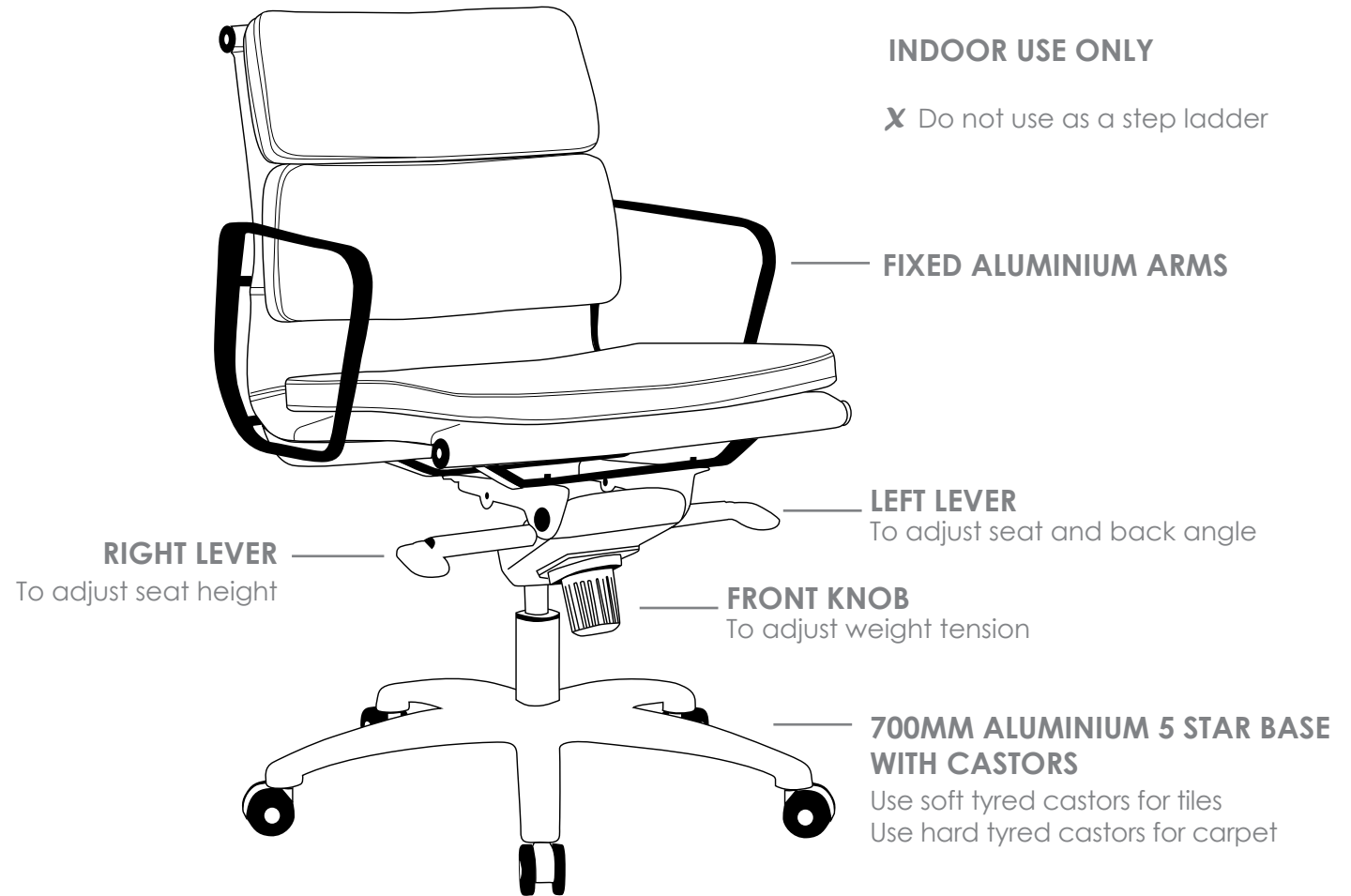
FEATURES

FLEX1H/ FLEX1L

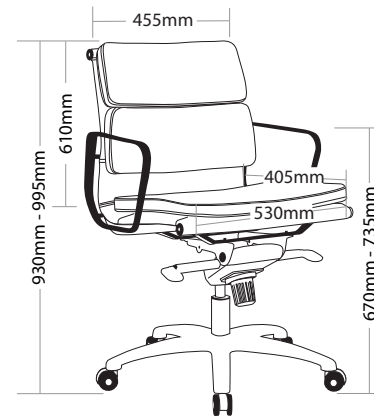
- » Adjustable seat height
- » Adjustable seat and back angle
- » Adjustable weight tension
- » Fixed arms
- » Available in high and low back
- » Knee tilt mechanism with 3 locking positions
- » 700mm aluminium base
- » Aluminium frame
- » Available in black leather only
- » Minor assembly required
- » Suitable for indoor use only
- » 5 year warranty
- » Weight limit is 120kg

FLVC1

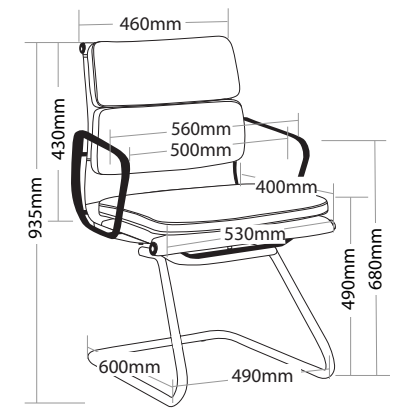
- » Aluminium cantilever frame
- » Available in black leather only
- » Minor assembly required
- » Suitable for indoor use only
- » 5 year warranty
- » Weight limit is 120kg



FLEX1H



FLEX1L



FLVC1

FLASH EXECUTIVE SEATING



FLEX1H



FLEX1L



FLVC1

R4 EXECUTIVE SEATING

ZODIAC



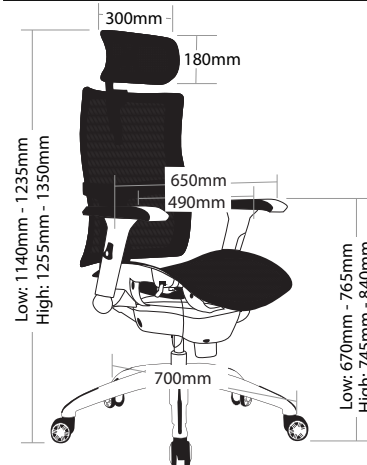
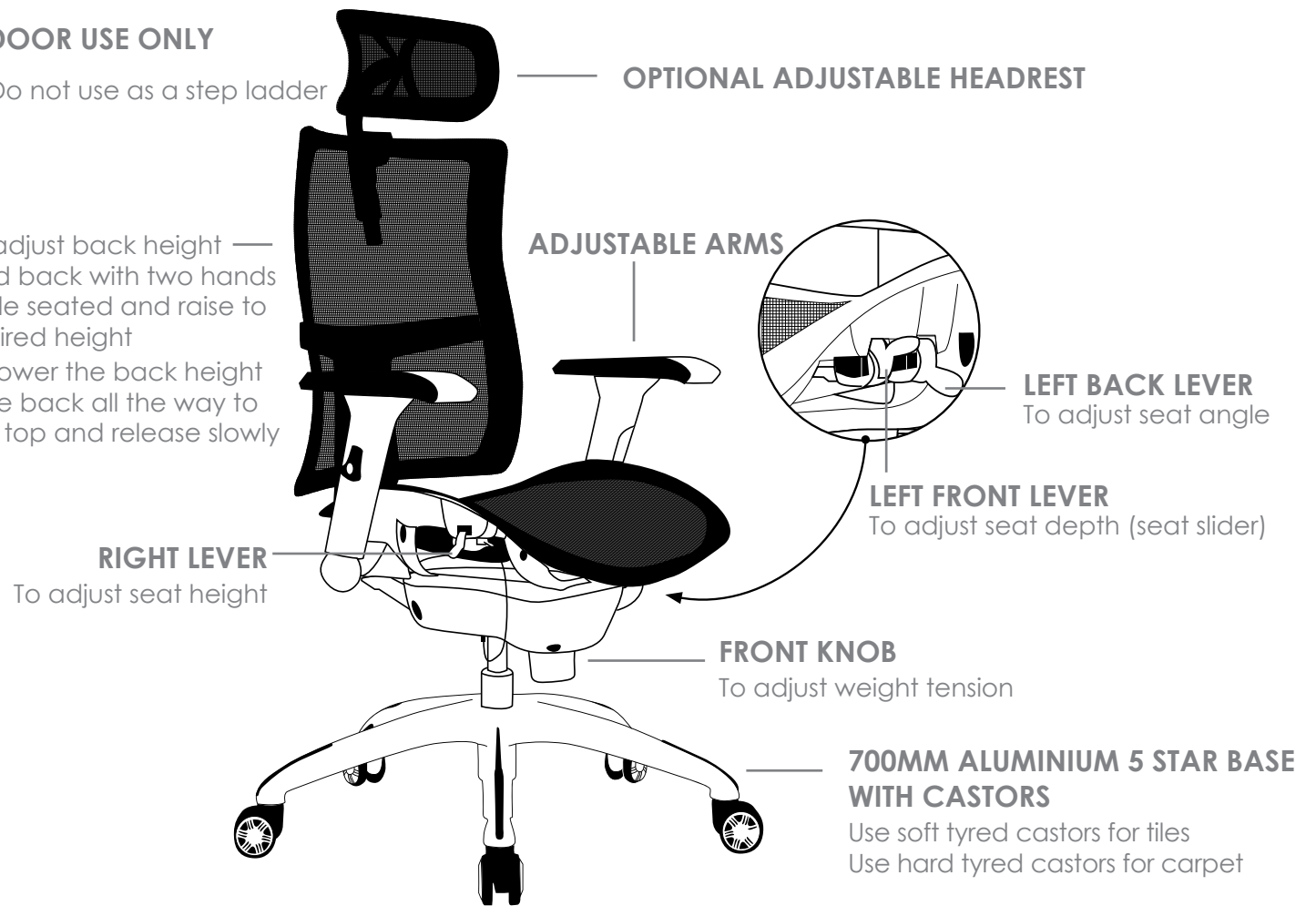
FEATURES

- » Adjustable seat height cable controlled
- » Adjustable back height (ratchet)
- » Adjustable seat and back angle cable controlled
- » Adjustable seat depth (seat slider) cable controlled
- » Adjustable weight tension
- » Optional adjustable headrest
- » Adjustable arms
- » Synchron mechanism with 3 locking positions
- » 700mm aluminium base
- » Available in black only
- » BIFMA tested
- » Minor assembly required
- » Suitable for indoor use only
- » 5 year warranty
- » Weight limit is 120kg

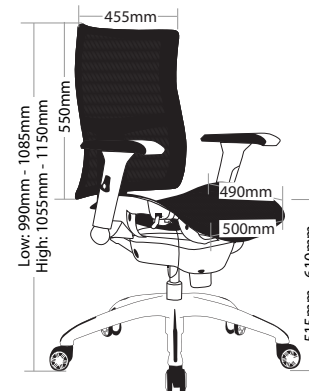
INDOOR USE ONLY

X Do not use as a step ladder

To adjust back height — hold back with two hands while seated and raise to desired height
To lower the back height raise back all the way to the top and release slowly



ZODIAC-H



ZODIAC-L

ZODIAC EXECUTIVE SEATING



ZODIAC-H



ZODIAC-L



BACK VIEW

R4 EXECUTIVE SEATING

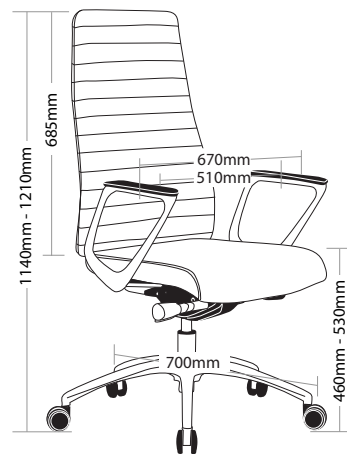
ENZO



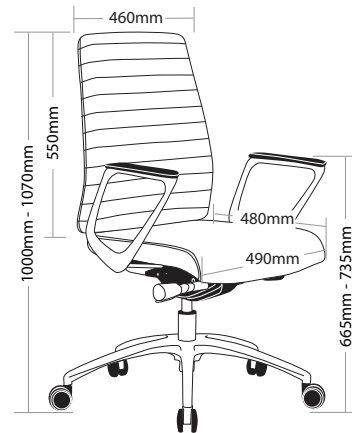
FEATURES

- » Adjustable seat height
- » Adjustable seat and back angle
- » Adjustable seat depth (seat slider)
- » Adjustable weight tension
- » Fixed aluminium arms
- » Available in high and low back
- » Ribbed back
- » Synchron mechanism with 3 locking positions
- » 700mm aluminium base
- » Available in black leather only
- » Suitable for indoor use only
- » 3 year warranty
- » Weight limit is 120kg

INDOOR USE ONLY



ENZO-H



ENZO-L

ENZO EXECUTIVE SEATING



ENZO-H



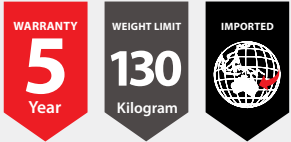
ENZO-L



BACKVIEW

R4 EXECUTIVE SEATING

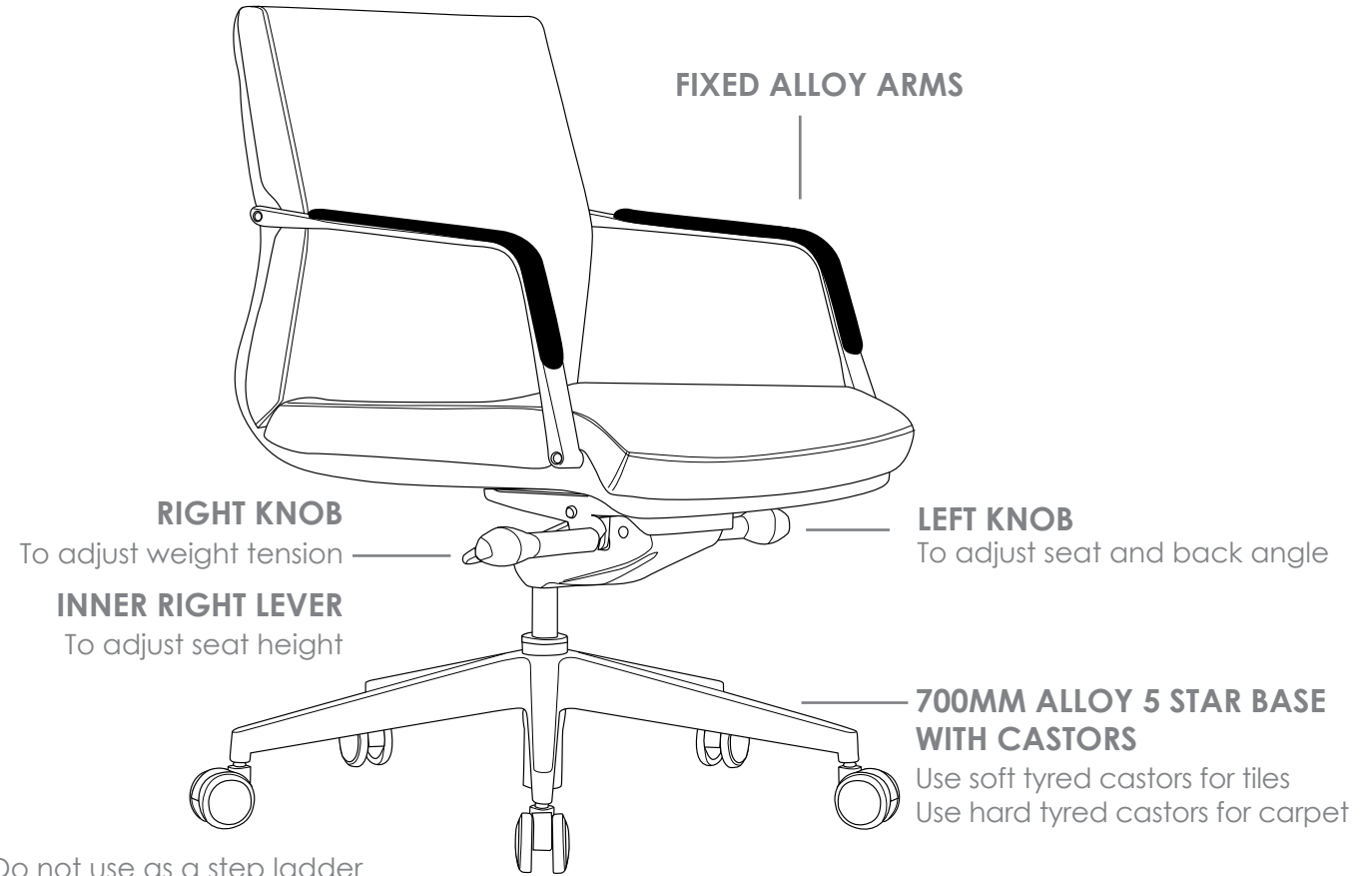
SELECT



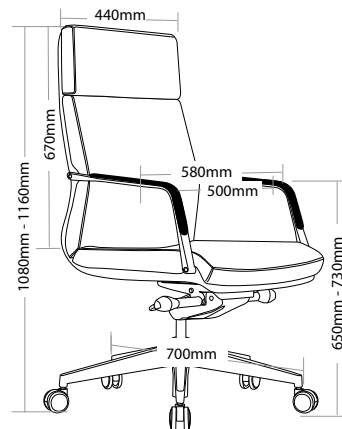
FEATURES

- » Adjustable seat height
- » Adjustable seat and back angle
- » Adjustable weight tension
- » Available in high and low back
- » Fixed alloy arms
- » Knee tilt mechanism with 4 locking positions
- » 700mm alloy base
- » Available in A grade Italian leather only
- » Minor assembly required
- » Suitable for indoor use only
- » 5 year warranty
- » Weight limit 130kg

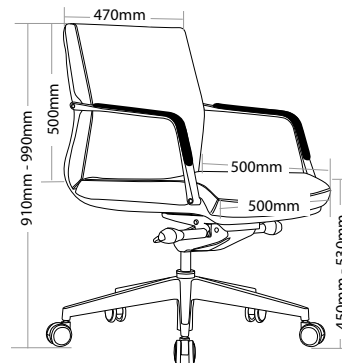
INDOOR USE ONLY



X Do not use as a step ladder



SELECT-H



SELECT-L

SELECT EXECUTIVE SEATING



SELECT-H



SELECT-L



BACK VIEW

R4 EXECUTIVE SEATING

EVITA

FEATURES



EVITA-TA

- » Adjustable seat height
- » Adjustable seat and back angle
- » Adjustable lumbar
- » Adjustable arms
- » Synchron mechanism with 3 locking positions
- » 680mm black nylon base
- » Moulded seat foam
- » Korean mesh back
- » Available in black only
- » Minor assembly required
- » Suitable for indoor use only
- » 5 year warranty
- » Weight limit is 120kg



EVITA-H/EVITA-L

- » Adjustable seat height
- » Adjustable seat and back angle
- » Adjustable seat depth (seat slider)
- » Adjustable weight tension
- » Adjustable lumbar
- » Adjustable arms
- » Optional adjustable headrest
- » Moulded seat foam
- » Korean mesh back
- » Synchron mechanism with 3 locking positions
- » 700mm aluminium base
- » Available in black only
- » BIFMA tested
- » Minor assembly required
- » Suitable for indoor use only
- » 5 year warranty
- » Weight limit is 120kg



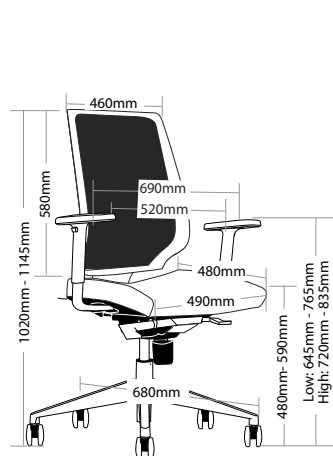
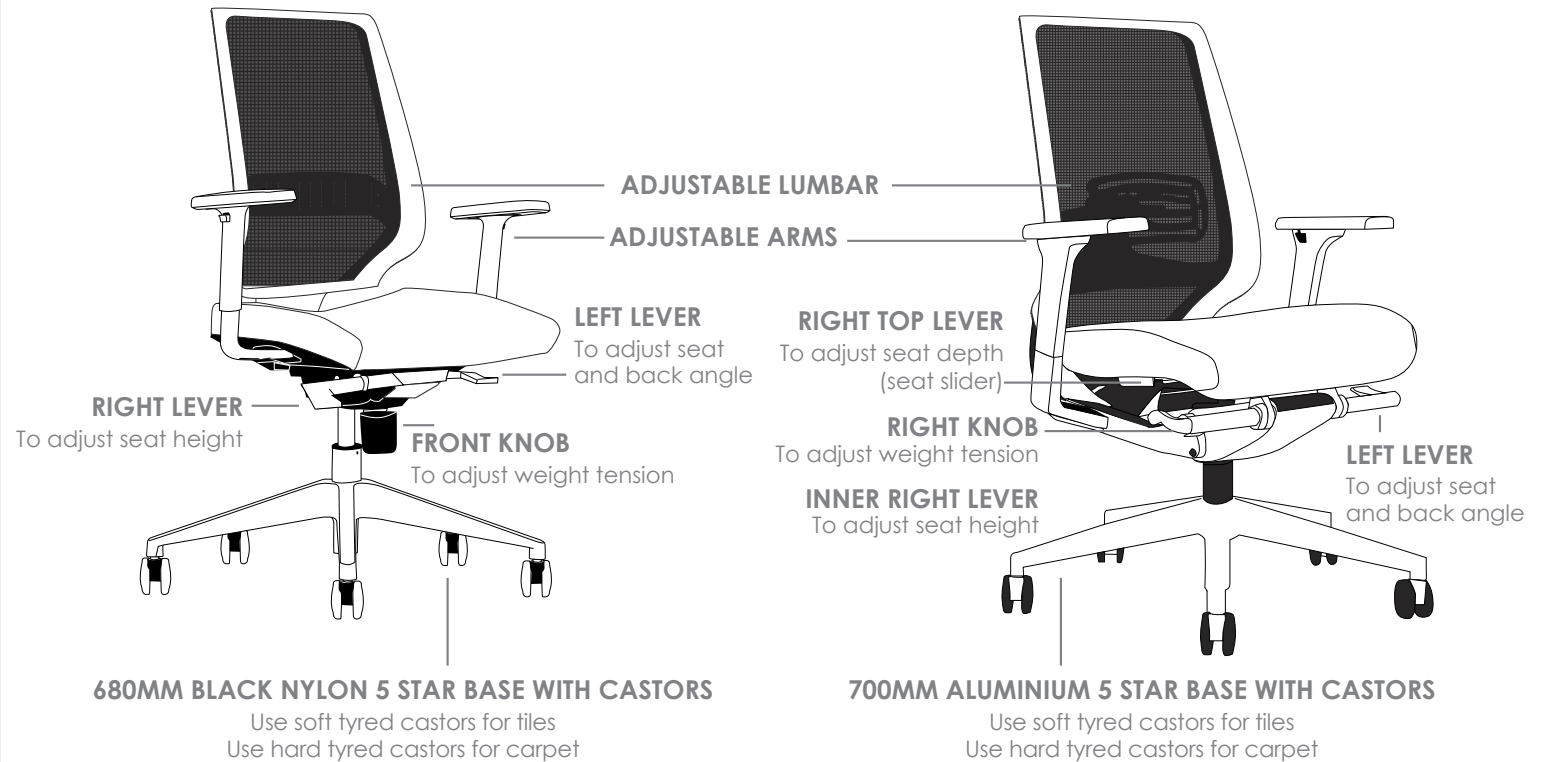
EVITA-VC

- » Chrome frame
- » Moulded seat foam
- » Korean mesh back
- » Available in black only
- » Minor assembly required
- » Suitable for indoor use only
- » 4 year warranty
- » Weight limit is 120kg

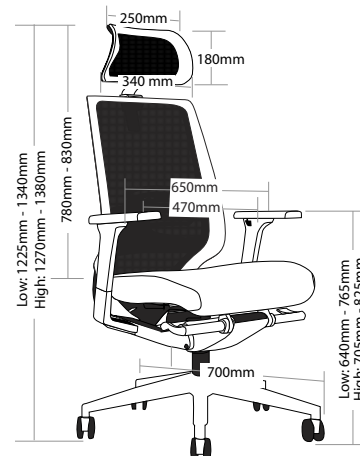


INDOOR USE ONLY

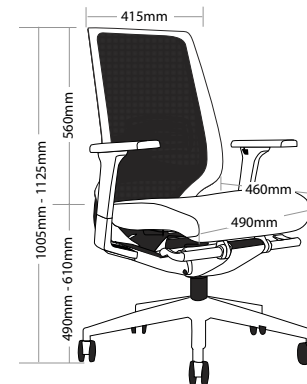
X Do not use as a step ladder



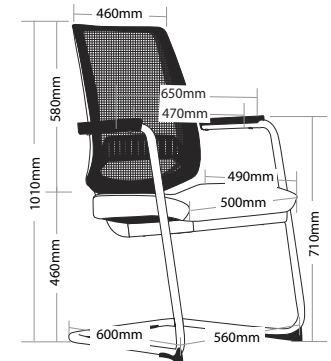
EVITA-TA



EVITA-H



EVITA-L



EVITA-VC

EVITA EXECUTIVE SEATING



EVITA-TA



EVITA-H



EVITA-L



EVITA-VC

R4 EXECUTIVE SEATING

MAGNUM



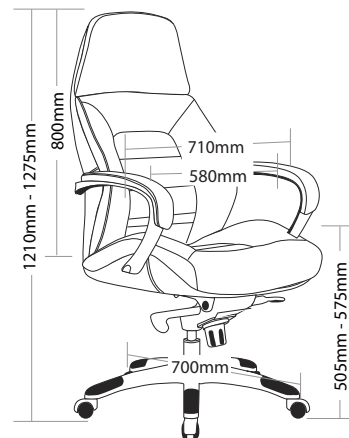
FEATURES

MAGNUM-H/MAGNUM-L

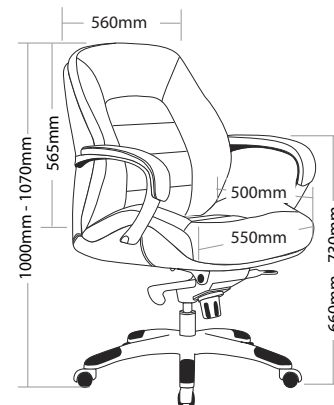
- » Adjustable seat height
- » Adjustable seat and back angle
- » Adjustable weight tension
- » Fixed aluminium arms
- » Available in high and low back
- » Moulded seat and back foam
- » Knee tilt mechanism with 3 locking positions
- » 700mm aluminium base
- » Extremely comfortable
- » Available in black leather only
- » Suitable for indoor use only
- » 5 year warranty
- » Weight limit is 120kg

MAGNUM-VC

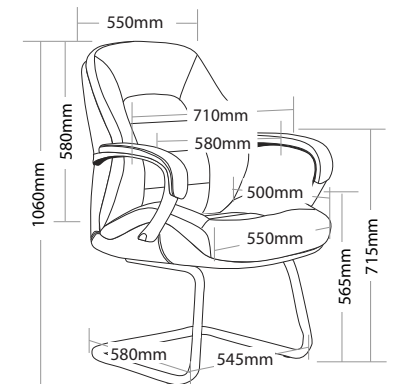
- » Fixed aluminium arms
- » Chrome cantilever frame
- » Extremely comfortable
- » Available in black leather only
- » Suitable for indoor use only
- » 5 year warranty
- » Weight limit is 120kg



MAGNUM-H



MAGNUM-L



MAGNUM-VC

MAGNUM EXECUTIVE SEATING



MAGNUM-H



MAGNUM-L



MAGNUM-VC

R4 EXECUTIVE SEATING

ERGO-1



FEATURES

- » Adjustable seat height cable controlled
- » Adjustable back height (ratchet)
- » Adjustable seat and back angle cable controlled
- » Adjustable seat depth (seat slider) cable controlled
- » Adjustable weight tension
- » Adjustable active lumbar
- » Adjustable arms
- » Optional adjustable headrest
- » Coat rack
- » Synchron mechanism with 3 locking positions
- » 700mm aluminium base
- » Available in black only
- » BIFMA tested
- » Minor assembly required
- » Suitable for indoor use only
- » 5 year warranty
- » Weight limit is 120kg

INDOOR USE ONLY

COAT RACK

ADJUSTABLE ACTIVE LUMBAR

RIGHT BACK LEVER
To adjust seat depth (seat slider)

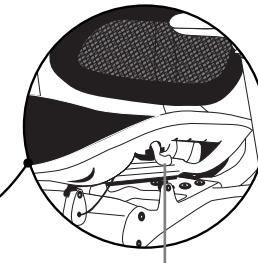
RIGHT FRONT LEVER
To adjust seat height

RIGHT KNOB
To adjust weight tension

OPTIONAL ADJUSTABLE HEADREST

To adjust back height hold back with two hands while seated and raise to desired height
To lower the back height raise back all the way to the top and release slowly

ADJUSTABLE ARMS

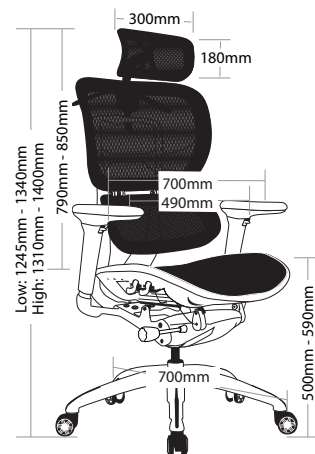


LEFT LEVER
To adjust seat and back angle

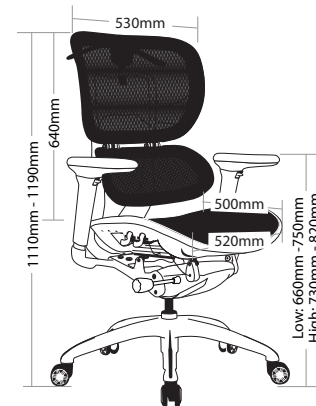
700MM ALUMINIUM 5 STAR BASE WITH CASTORS

Use soft tyred castors for tiles
Use hard tyred castors for carpet

Do not use as a step ladder



ERGO-1H



ERGO-1L

ERGO-1 EXECUTIVE SEATING



ERG0-1H



ERG0-1L



RIGHT VIEW

R5 HOSPITALITY SEATING

NEO

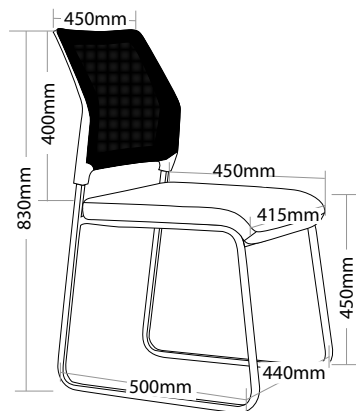
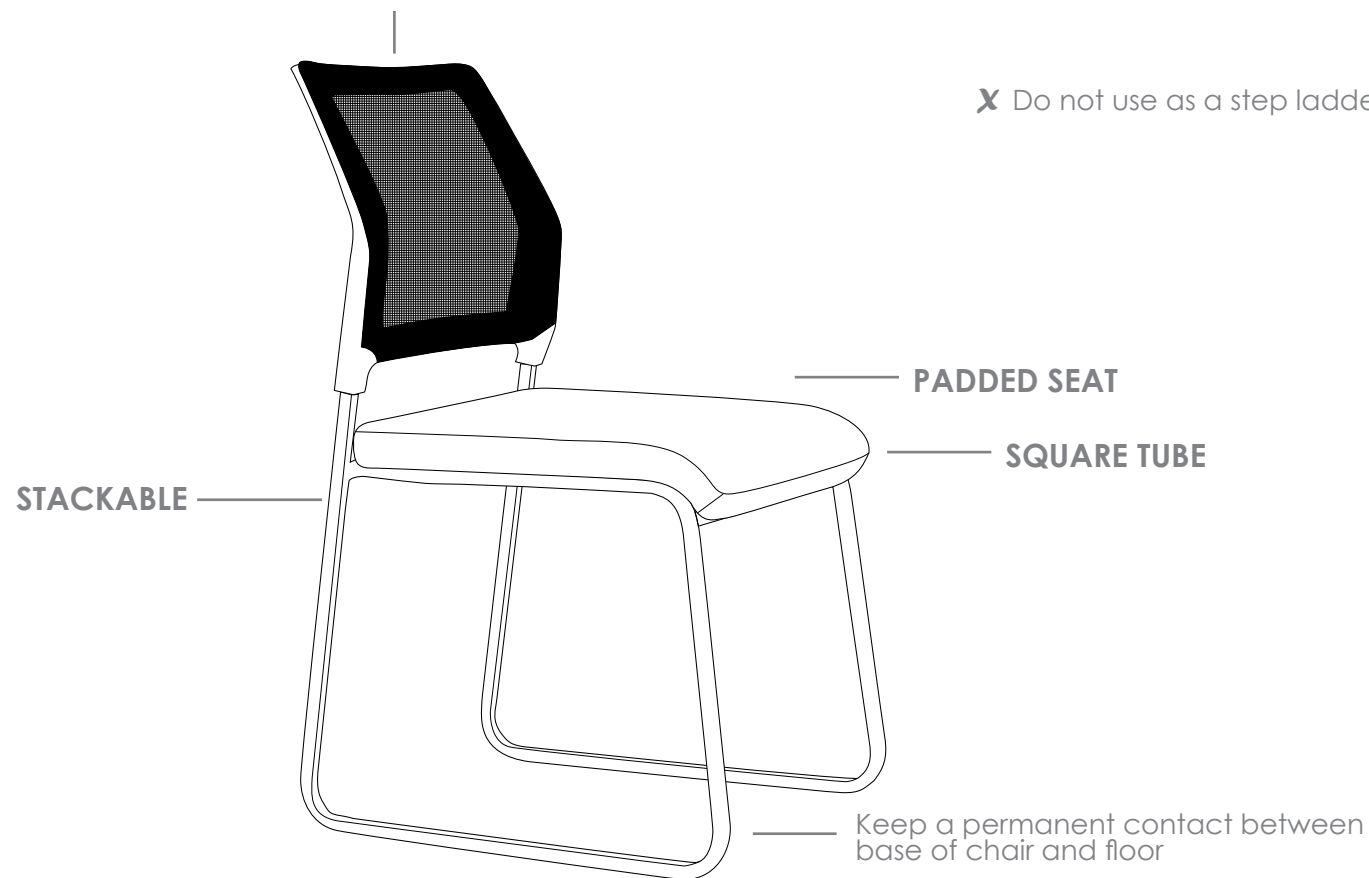


FEATURES

- » Not available with arms
- » Stackable
 - » Maximum 5 chairs on floor
- » Square tube
- » Mesh back
- » Padded seat
- » Black metal frame
- » Available in black only
- » Minor assembly required
- » Suitable for indoor use only
- » 3 year warranty
- » Weight limit is 120kg

INDOOR USE ONLY

✗ Do not use as a step ladder



NEO

NEO HOSPITALITY SEATING



NEO



BACK VIEW



SIDE VIEW

R5 HOSPITALITY SEATING

ROSE



FEATURES

- » Soft padding
- » Polyurethane arm pads
- » Chrome finish
- » Fully welded frame
- » Available in black PU only
- » Minor assembly required
- » Suitable for indoor use only
- » 3 year warranty
- » Weight limit is 110kg

INDOOR USE ONLY



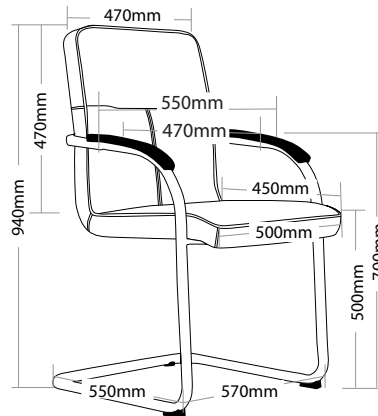
✗ Do not use as a step ladder

POLYURETHANE ARM PADS

SOFT PADDING

CHROME FRAME

Keep a permanent contact between base of chair and floor



ROSE

ROSE HOSPITALITY SEATING



ROSE



BACK VIEW



SIDE VIEW

R5 HOSPITALITY SEATING

FOCUS



FEATURES

- » Optional arms
- » Optional left / right hand tablet arm
- » Optional black metal trolley, easy to move when stacked
- » Available in beam seating
- » Multi purpose stackable client chair
 - » Maximum 20 chairs on trolley
 - » Maximum 5 chairs on floor
 - » Maximum 3 chairs with arms
 - » Not stackable with tablet arms
- » Linkable except with tablet arms or arms
- » Fully strengthened plastic back shell
- » Fully welded frame
- » Sled chrome base
- » Available in black only
- » BIFMA drop tested
- » Suitable for indoor use only
- » 4 year warranty
- » Weight limit is 120kg

INDOOR USE ONLY

X Do not use as a step ladder

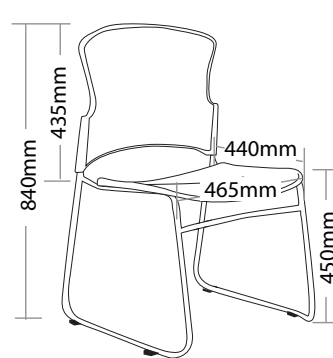


WELDED FRAME

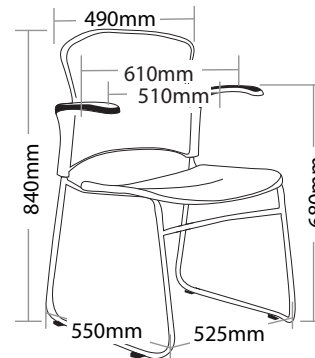
STACKABLE

SLED BASE FRAME

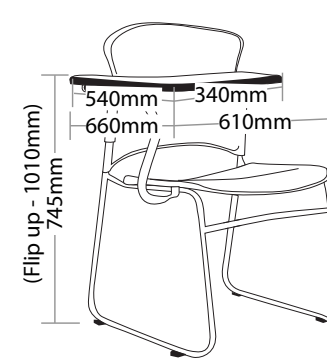
Keep a permanent contact between base of chair and floor



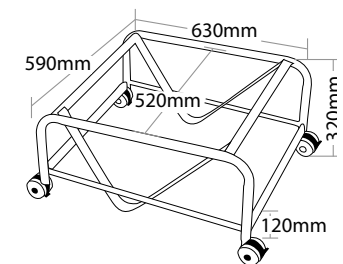
FOC-1



FOC-1A



FOC-1TR



FOC-TRL

FOCUS HOSPITALITY SEATING



FOC-1



FOC-1A



FOC-1TR



FOC-1TL



FOC-TRL



R5 HOSPITALITY SEATING

VINN

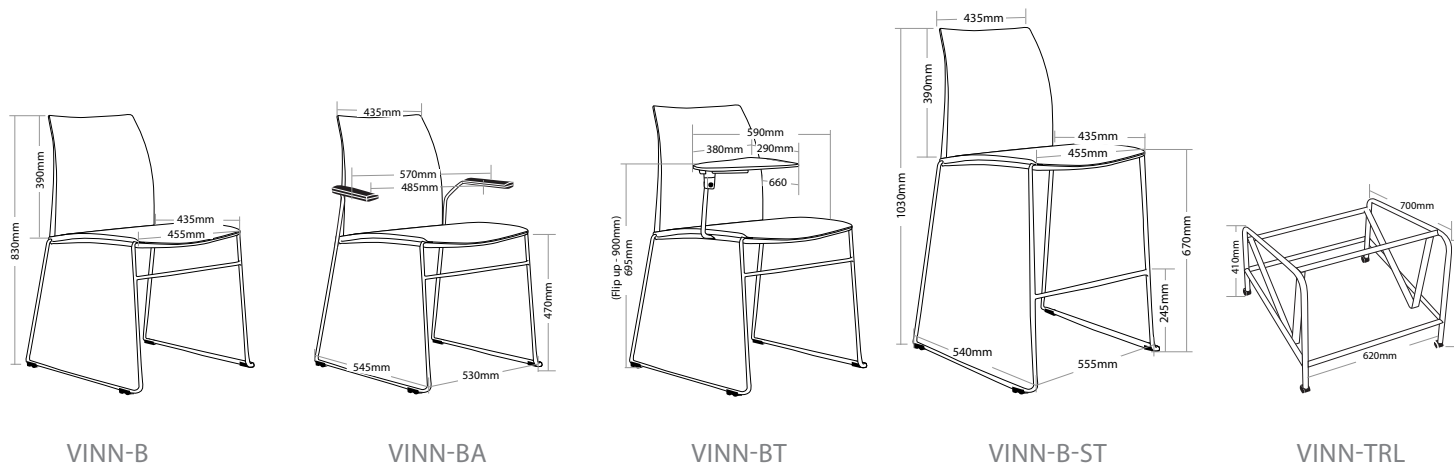
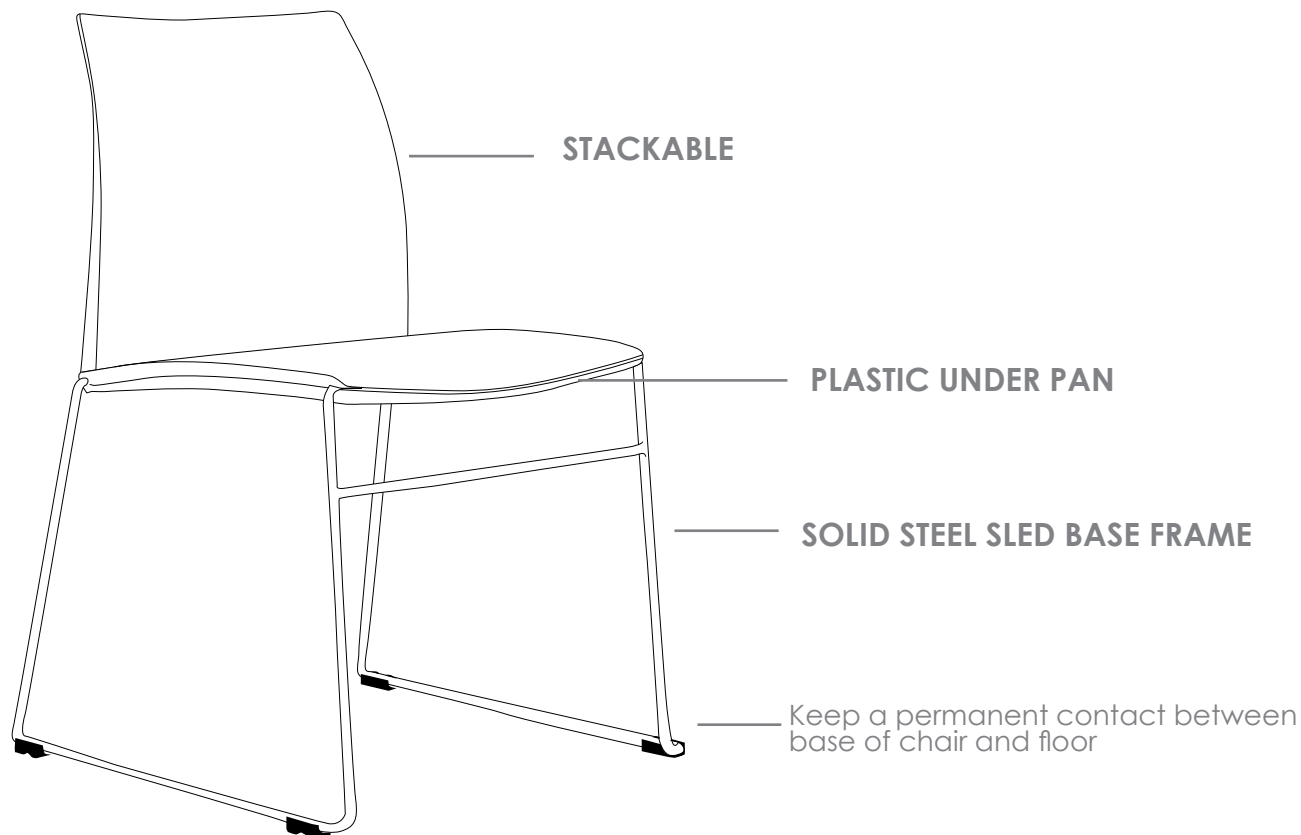


FEATURES

- » Optional plastic or mesh back
- » Optional arms, tablet arm or stool
- » Optional black metal trolley, easy to move when stacked
- » Available in beam seating
- » Stackable
 - » Maximum 13 chairs on trolley
 - » Maximum 5 chairs on floor
 - » Maximum 3 chairs with stools or arms
- » Not stackable with tablet arms or stool with arms
- » Linkable except with tablet arms or arms
- » Chrome finish
- » Black plastic
- » Plastic under pan
- » Solid steel sled base frame
- » Available in black only
- » Suitable for indoor use only
- » 4 year warranty
- » Weight limit is 120kg

INDOOR USE ONLY

X Do not use as a step ladder



VINN HOSPITALITY SEATING



VINN-B



VINN-BA



VINN-BT



VINN-B-ST



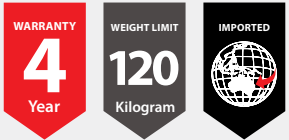
VINN-B-STA



VINN-TRL

R5 HOSPITALITY SEATING

VINN MESH

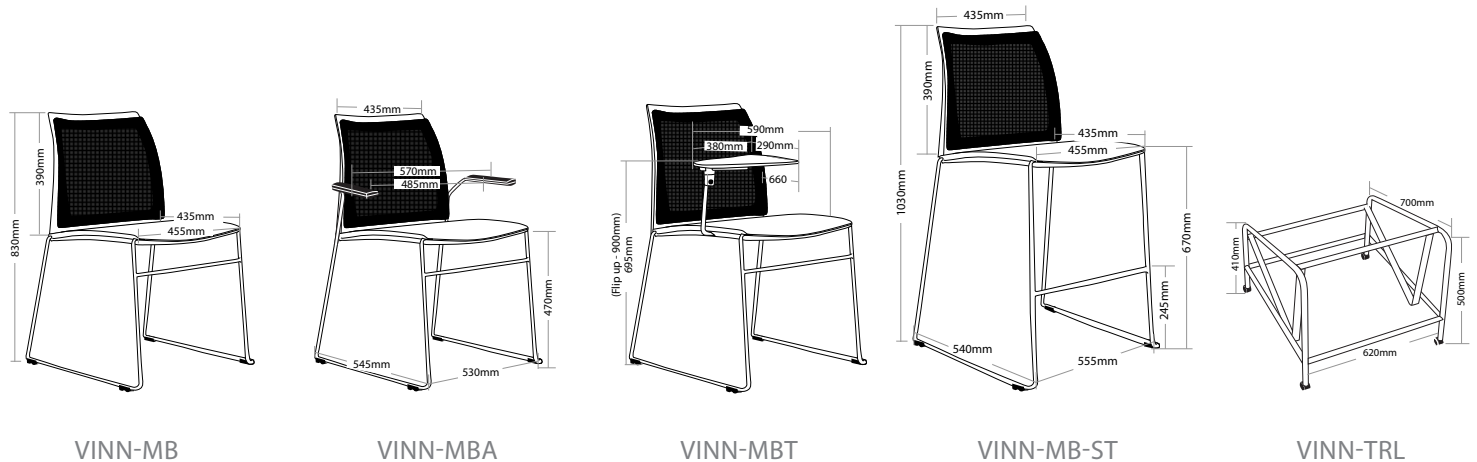
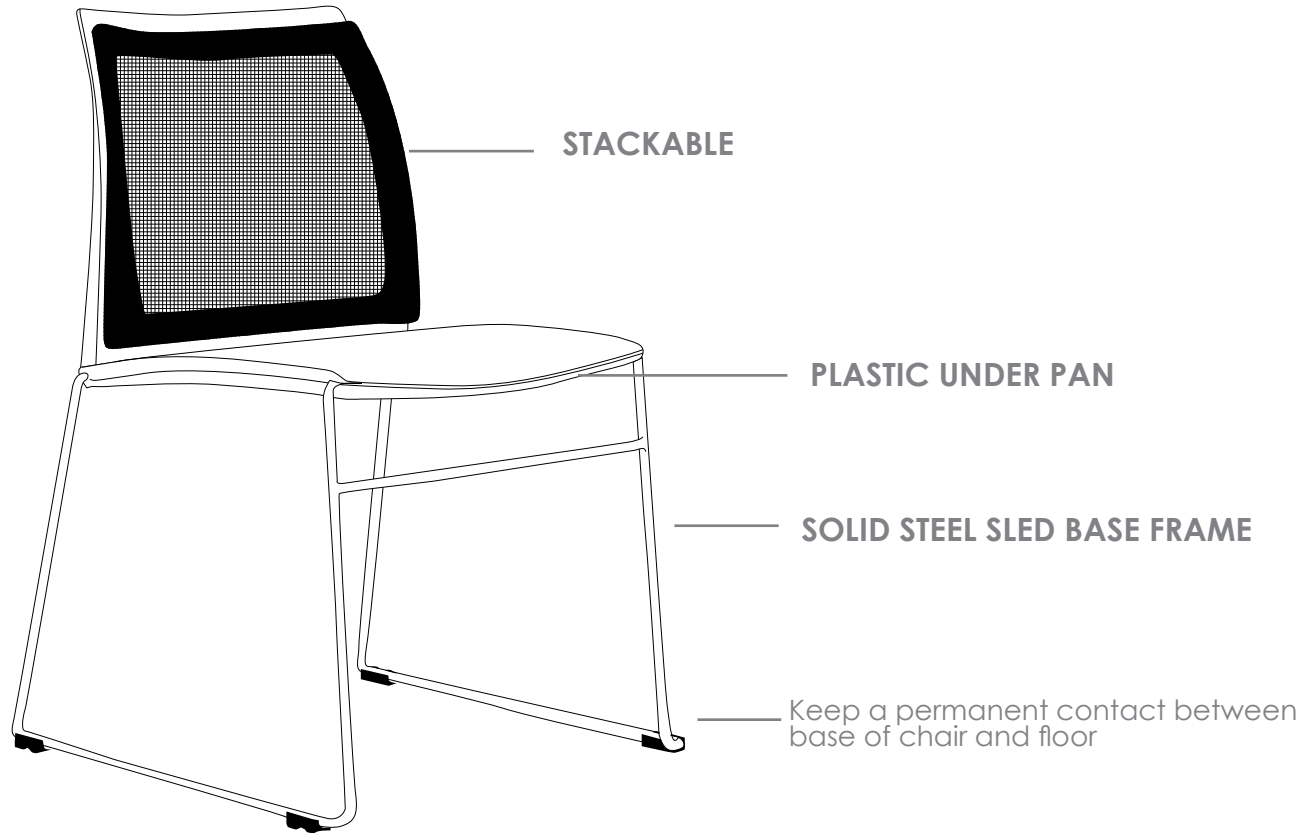


FEATURES

- » Optional plastic or mesh back
- » Optional arms, tablet arm or stool
- » Optional black metal trolley, easy to move when stacked
- » Available in beam seating
- » Stackable
 - » Maximum 13 chairs on trolley
 - » Maximum 5 chairs on floor
 - » Maximum 3 chairs with stools or arms
- » Not stackable with tablet arms or stool with arms
- » Linkable except with tablet arms or arms
- » Chrome finish
- » Black plastic
- » Plastic under pan
- » Solid steel sled base frame
- » Available in black only
- » Suitable for indoor use only
- » 4 year warranty
- » Weight limit is 120kg

INDOOR USE ONLY

✗ Do not use as a step ladder



VINN MESH HOSPITALITY SEATING



VINN-MB



VINN-MBA



VINN-MBT



VINN-MB-ST



VINN-MB-STA



VINN-TRL



R5 HOSPITALITY SEATING

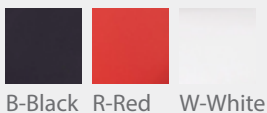
POD 4 LEGS



FEATURES

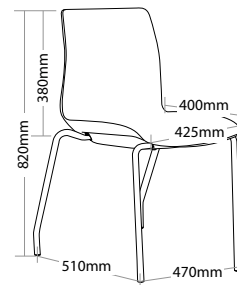
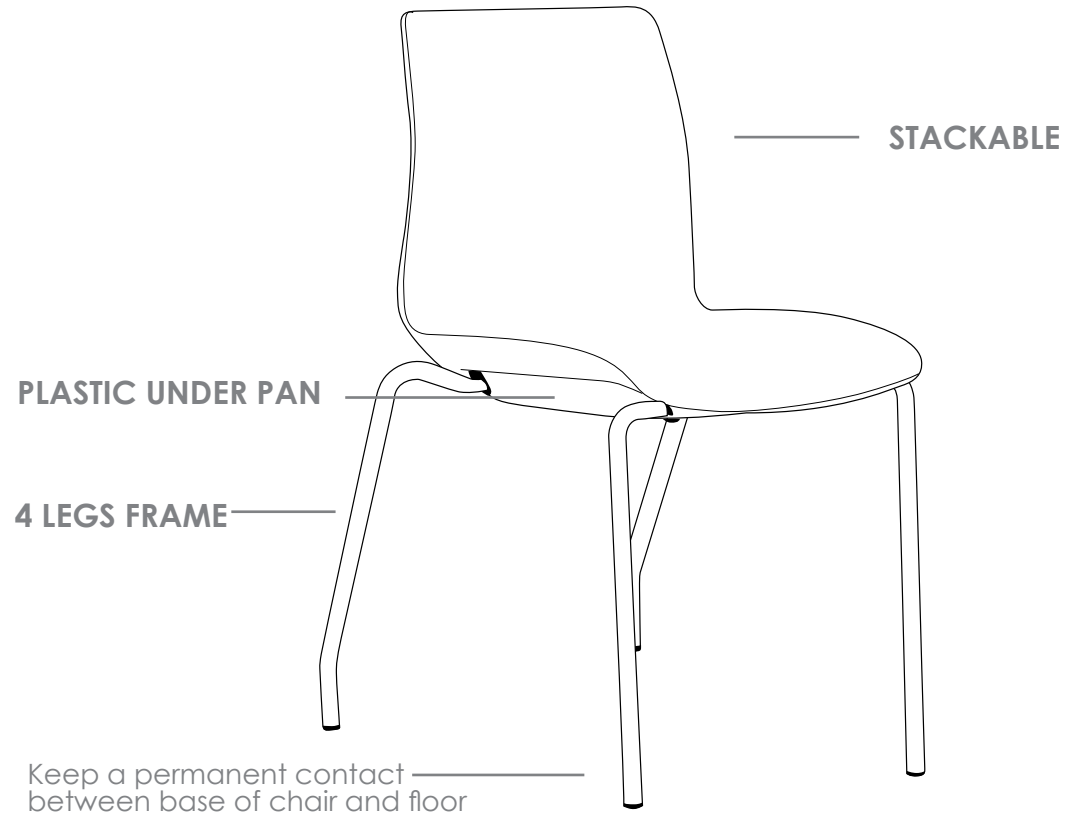
- » Optional arms
- » Optional tablet arm
- » Optional stool
- » Optional black metal trolley, easy to move when stacked
- » Optional 4 legs or sled base chrome frame
- » Available in beam seating
- » Stackable
 - » Maximum 13 chairs on trolley
 - » Maximum 5 chairs on floor
 - » Maximum 3 chairs with stool or arms
 - » Maximum 3 chairs with tablet arms
- » Plastic under pan
- » Available in black, red and white only
- » Suitable for indoor use only
- » 4 year warranty
- » Weight limit is 120kg

COLOUR

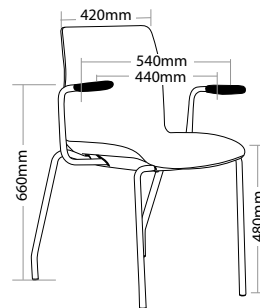


INDOOR USE ONLY

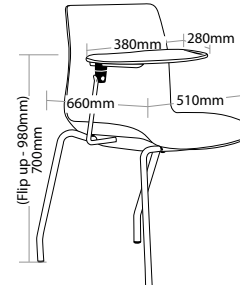
✗ Do not use as a step ladder



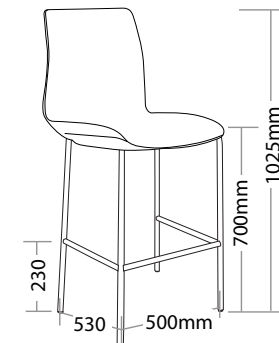
POD-4



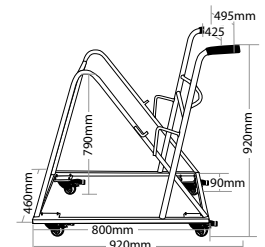
POD-4A



POD-4T



POD-ST



POD-TRL

POD 4 LEGS HOSPITALITY SEATING



POD-4B



POD-4RA



POD-4WT



POD-STW



POD-STB



POD-TRL

R5 HOSPITALITY SEATING

POD SLED



FEATURES

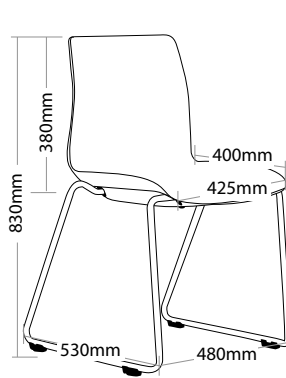
- » Optional arms
- » Optional tablet arm
- » Optional black metal trolley, easy to move when stacked
- » Optional 4 legs or sled base chrome frame
- » Available in beam seating
- » Stackable
 - » Maximum 13 chairs on trolley
 - » Maximum 5 chairs on floor
 - » Not stackable with arms or tablet arms
- » Linkable except with tablet arms and arms
- » Plastic under pan
- » Available in black, red and white only
- » Suitable for indoor use only
- » 4 year warranty
- » Weight limit is 120kg

COLOUR

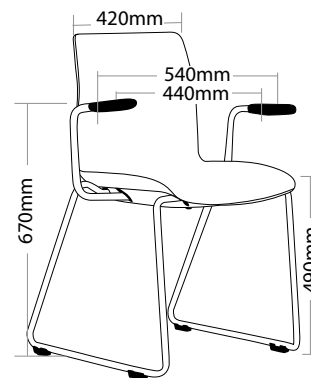


INDOOR USE ONLY

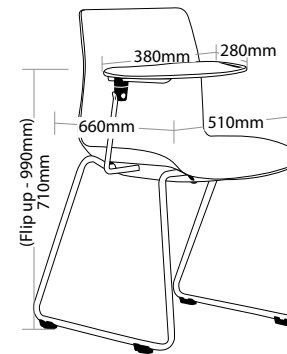
✗ Do not use as a step ladder



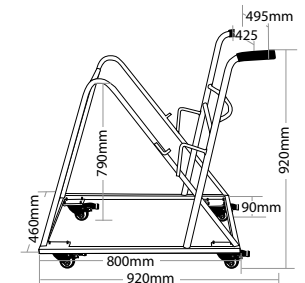
POD-S



POD-SA



POD-ST



POD-TRL

POD SLED HOSPITALITY SEATING



POD-SB



POD-SRA



POD-SWT



POD-TRL

R6 BEAM SEATING

FOCUS



FEATURES

- » Optional 2 or 3 seater
- » Fully welded black metal frame
- » Twin seat support bars
- » Adjustable feet
- » Available in black only
- » Minor assembly required
- » Suitable for indoor use only
- » 4 year warranty
- » Weight limit for 2 seater is 200kg
- » Weight limit for 3 seater is 300kg

INDOOR USE ONLY

✗ Do not use as a step ladder

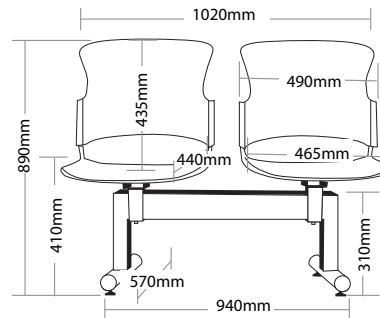


TWIN SEAT SUPPORT BARS

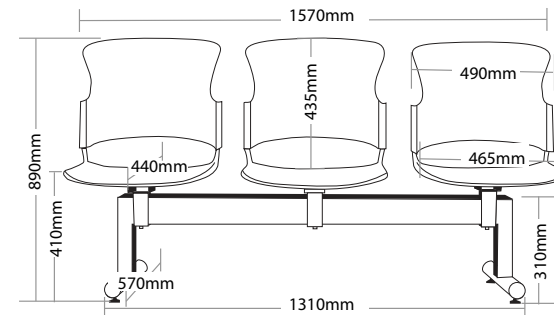
FULLY WELDED BLACK METAL FRAME

ADJUSTABLE FEET
Screw to adjust the height

Keep a permanent contact between base of chair and floor



F-BEAM 2



F-BEAM 3

FOCUS BEAM SEATING



F-BEAM 2



F-BEAM 3

R6 BEAM SEATING

VINN

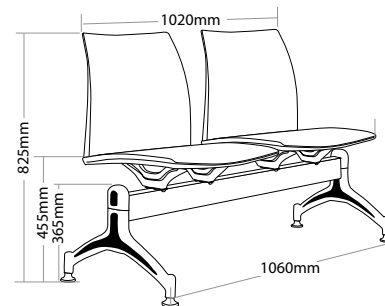
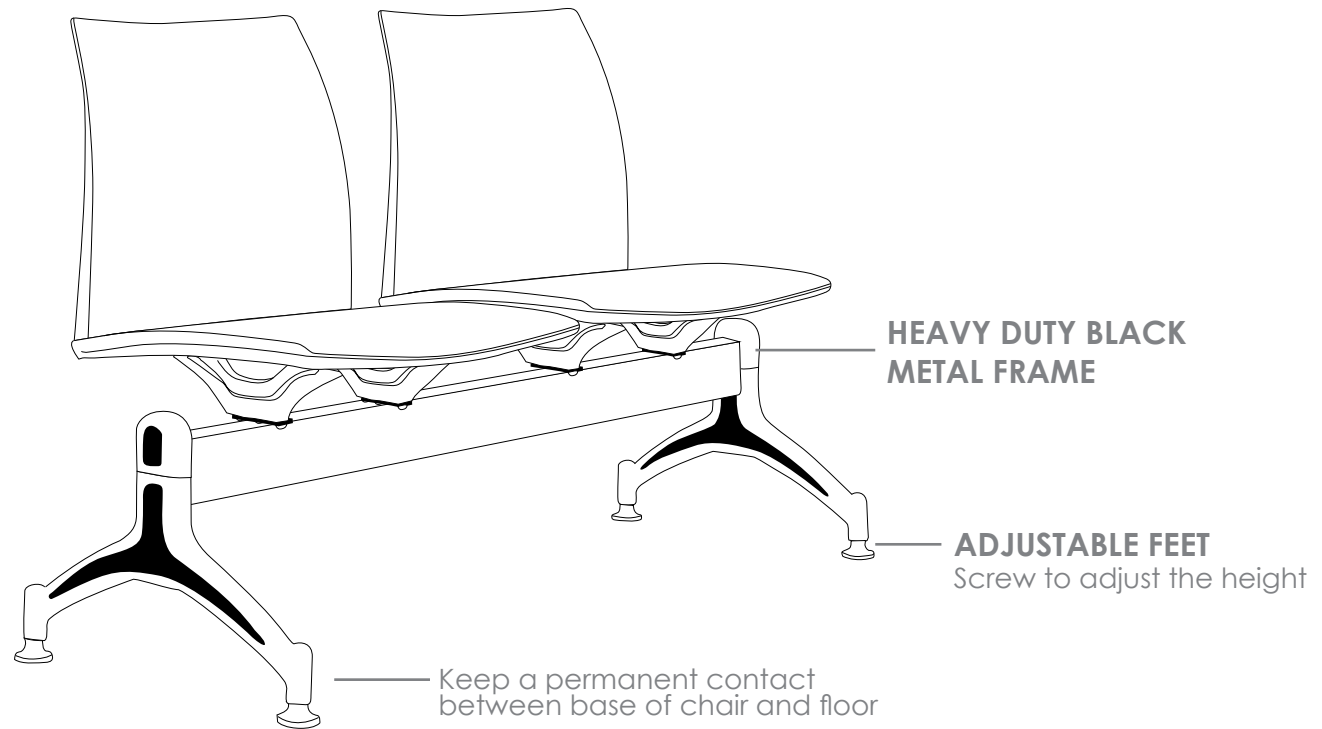


FEATURES

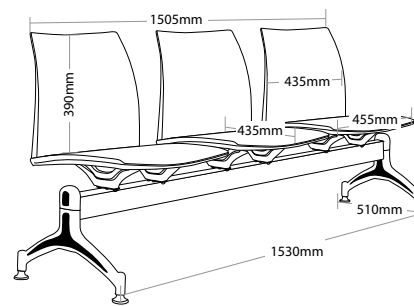
- » Optional 2, 3 or 4 seater
- » Optional plastic or mesh back
- » Heavy duty black metal beam frame
- » Adjustable feet
- » Available in black only
- » Minor assembly required
- » Suitable for indoor use only
- » 4 year warranty
- » Weight limit for 2 seater is 180kg
- » Weight limit for 3 seater is 250kg
- » Weight limit for 4 seater is 300kg

X Do not use as a step ladder

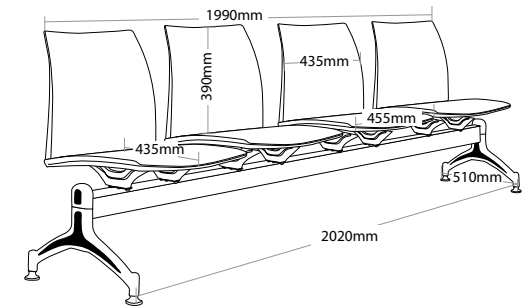
INDOOR USE ONLY



V-BEAM 2



V-BEAM 3



V-BEAM 4

VINN BEAM SEATING



V-BEAM 2



V-BEAM 3



V-BEAM 4



V-BEAM 2M



V-BEAM 3M



V-BEAM 4M

R6 BEAM SEATING

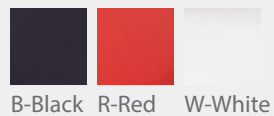
POD



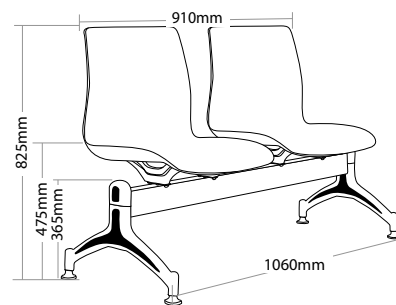
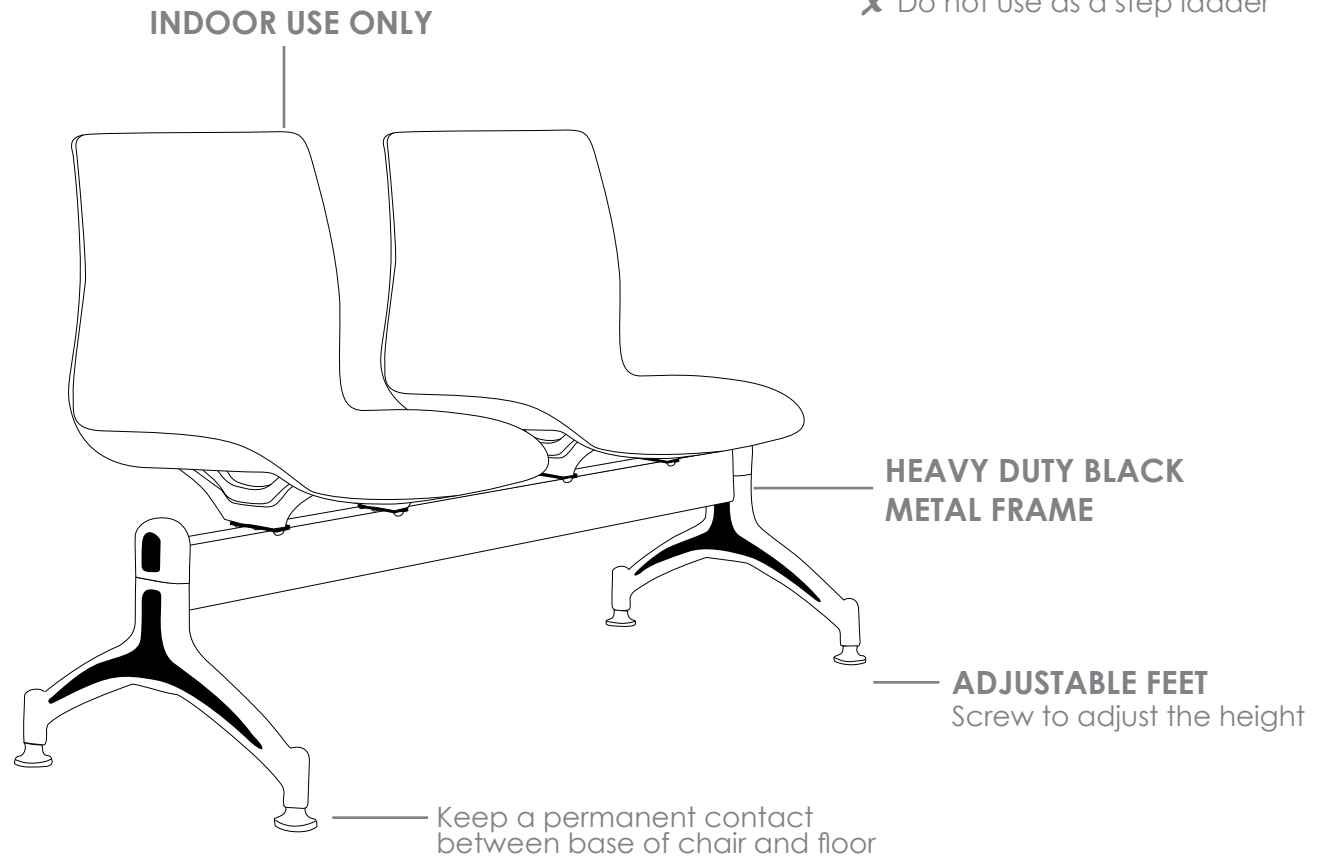
FEATURES

- » Optional 2, 3 or 4 seater
- » Heavy duty black metal beam frame
- » Adjustable feet
- » Available in black, red and white only
- » Minor assembly required
- » Suitable for indoor use only
- » 4 year warranty
- » Weight limit for 2 seater is 200kg
- » Weight limit for 3 seater is 300kg
- » Weight limit for 4 seater is 350kg

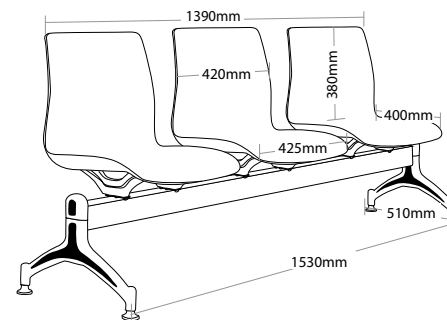
COLOUR



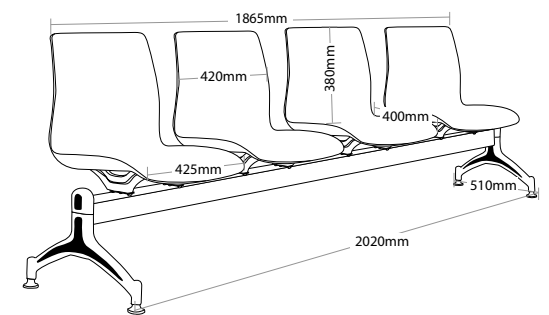
X Do not use as a step ladder



P-BEAM 2



P-BEAM 3



P-BEAM 4

POD BEAM SEATING



P-BEAM 2B



P-BEAM 3R



P-BEAM 4W



SIDE VIEW



BACK VIEW

R7 BREAKOUT SEATING

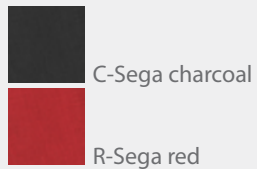
RAVEN



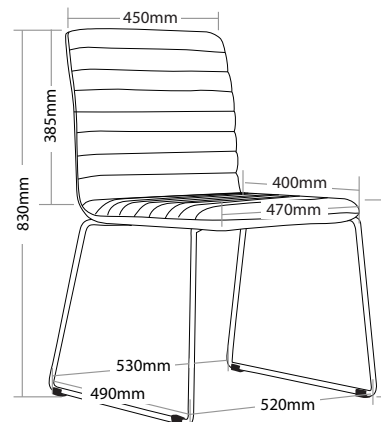
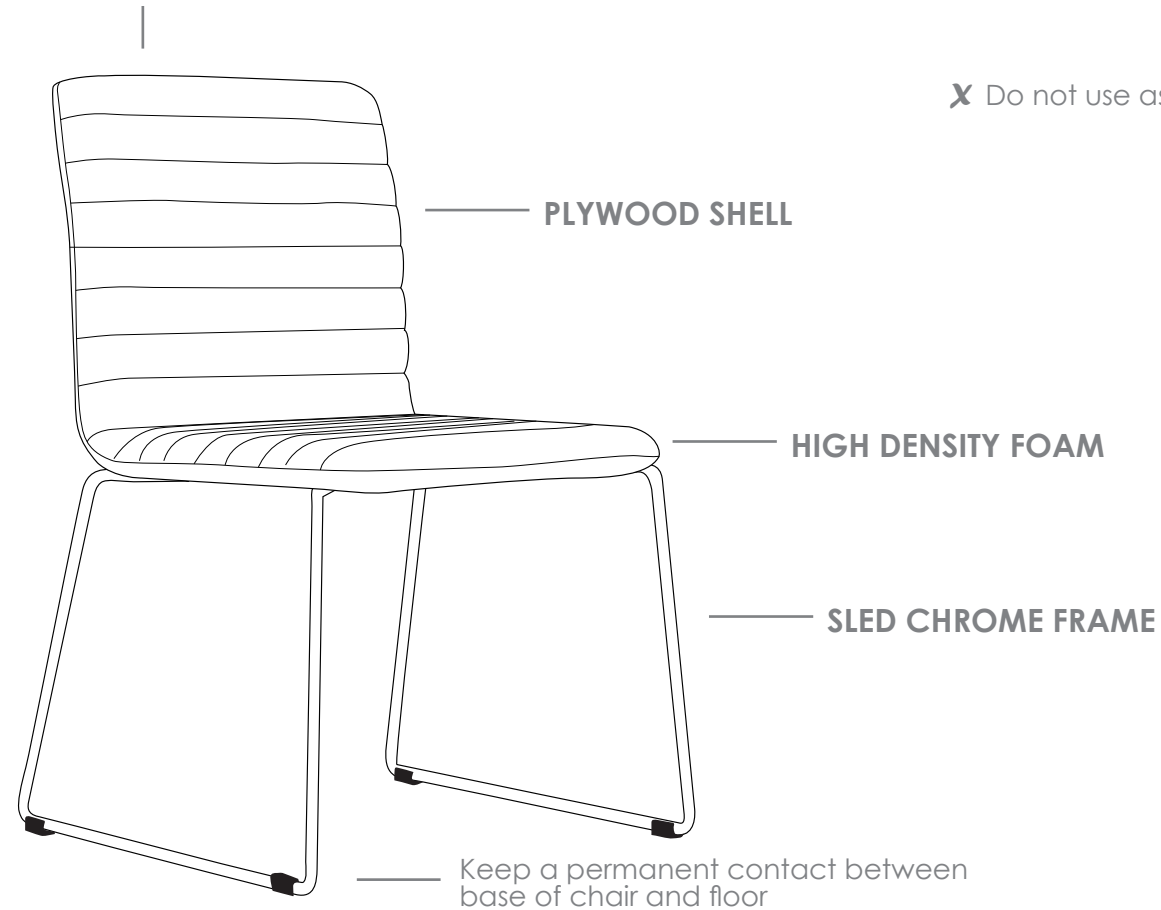
FEATURES

- » Fully upholstered
- » High density foam
- » Sled base chrome frame
- » Plywood shell
- » Available in Sega charcoal and red only
- » Minor assembly required
- » Suitable for indoor use only
- » 5 year warranty
- » Weight limit is 130kg

COLOUR



INDOOR USE ONLY



RAVEN

RAVEN BREAKOUT SEATING



RAVEN-C



RAVEN-R



BACKVIEW

R7 BREAKOUT SEATING

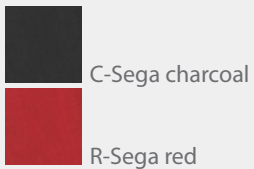
TONIC



FEATURES

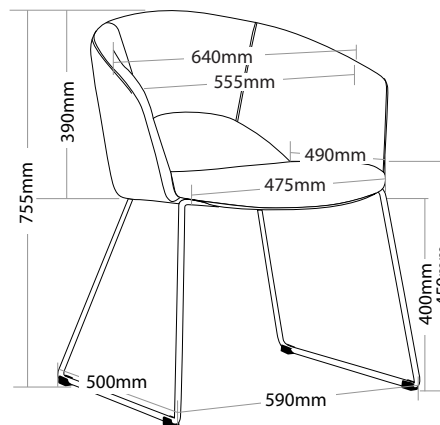
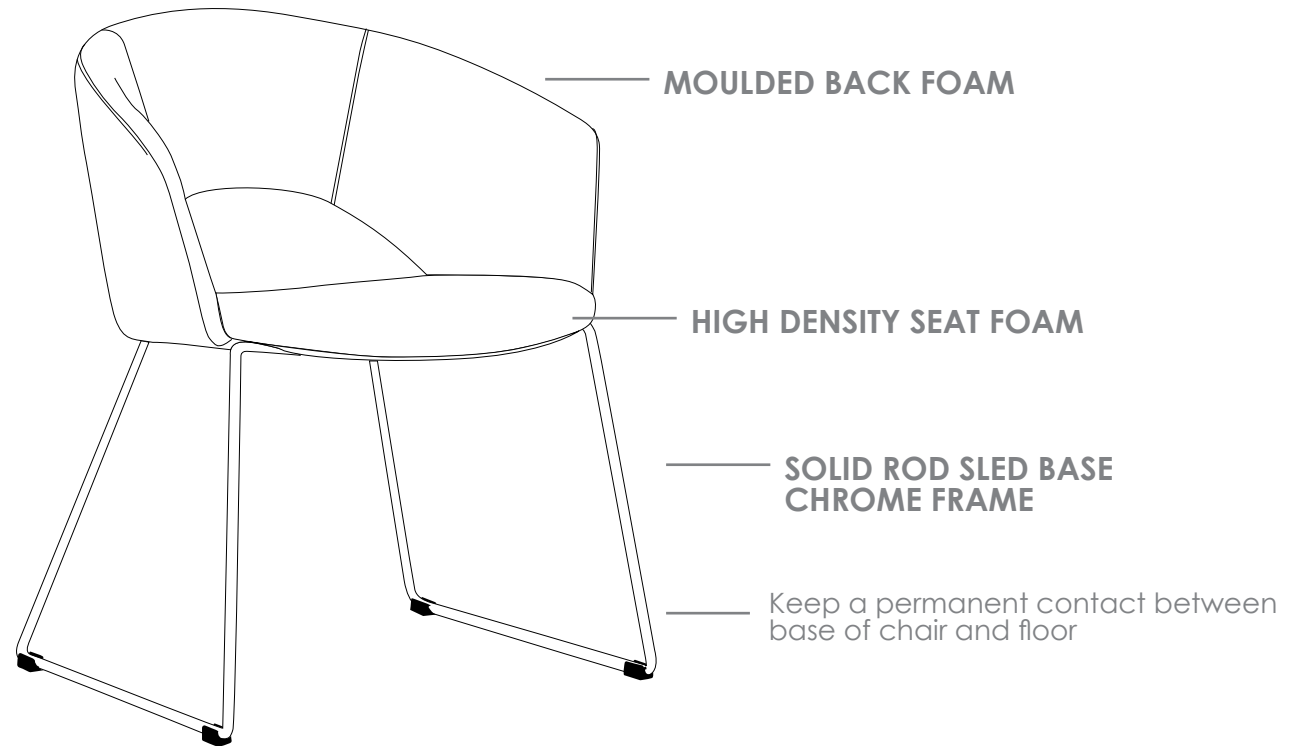
- » High density seat foam
- » Moulded back foam
- » Solid rod base sled chrome frame
- » Available in Sega charcoal and red only
- » Minor assembly required
- » Suitable for indoor use only
- » 5 year warranty
- » Weight limit is 120kg

COLOUR



INDOOR USE ONLY

✗ Do not use as a step ladder



TONIC

TONIC BREAKOUT SEATING



TONIC-C



TONIC-R



BACKVIEW

R7 BREAKOUT SEATING

HULA



FEATURES

HULA CHAIR FEATURES

- » Adjustable seat height
- » High density foam
- » 700mm aluminium 4 star base
- » Plywood shell
- » Available in Sega charcoal and red only
- » Minor assembly required
- » Suitable for indoor use only
- » 5 year warranty
- » Weight limit is 120kg



HULA TABLE

- » 8mm thick glass top
- » 800mm diameter tempered glass
- » 660mm aluminium frame
- » Minor assembly required
- » Suitable for indoor use only
- » 3 year warranty

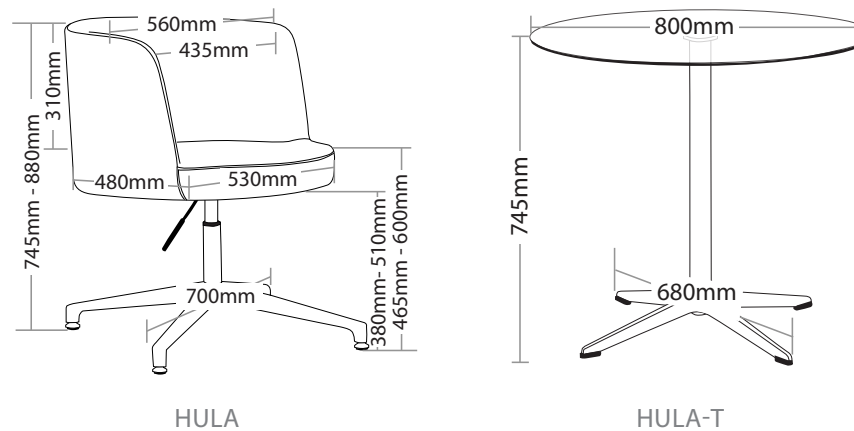
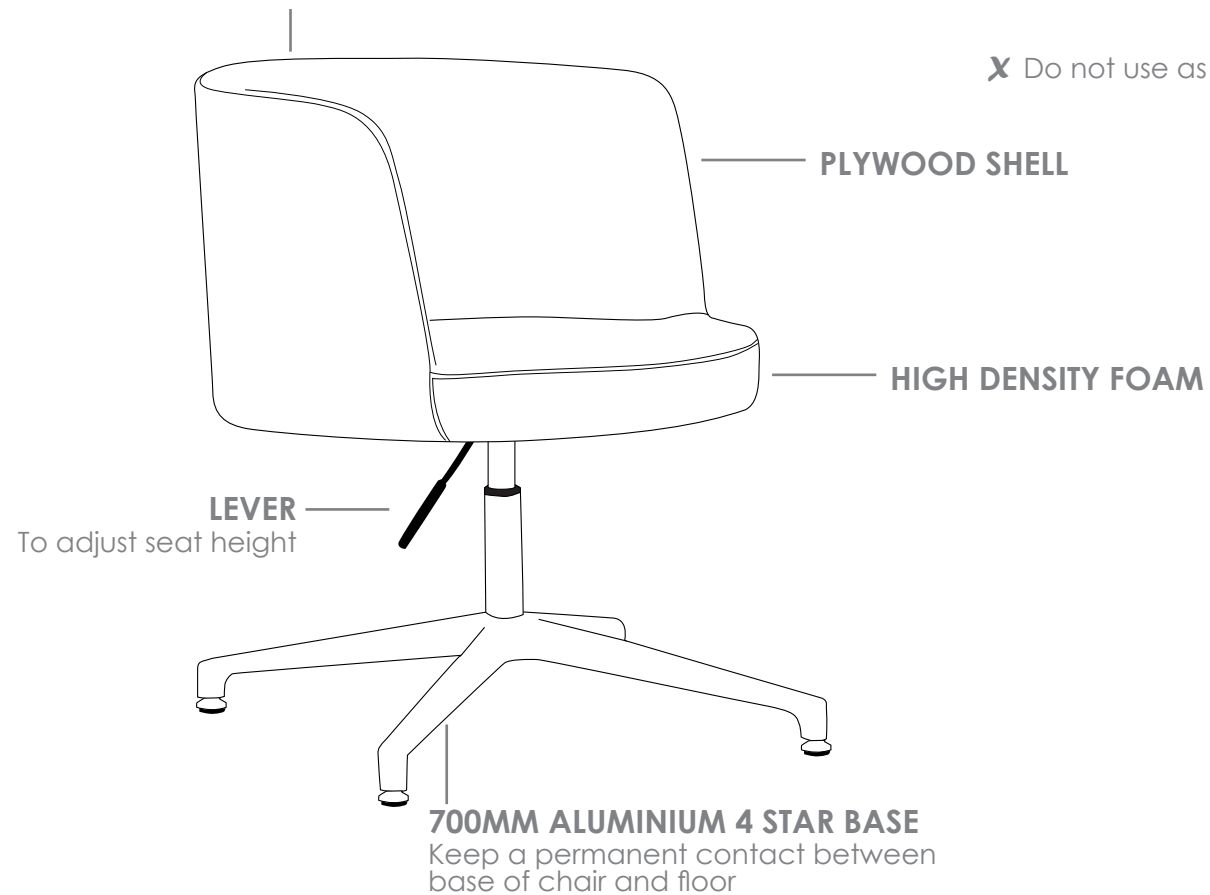


COLOUR



INDOOR USE ONLY

✗ Do not use as a step ladder



HULA BREAKOUT SEATING



HULA-C



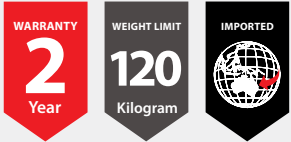
HULA-R



HULA-T

R7 BREAKOUT SEATING

TECHNO

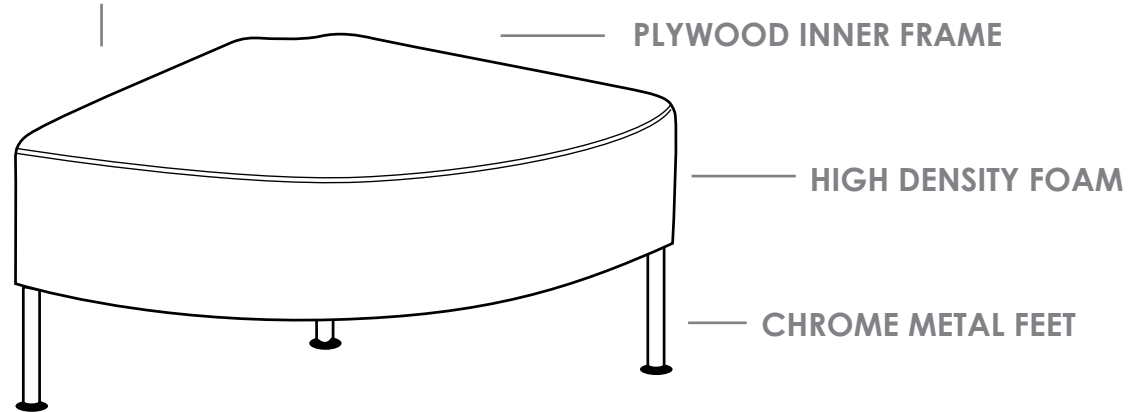


FEATURES

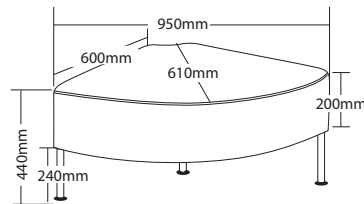
- » High density foam
- » Linkable
- » Plywood inner frame
- » Chrome metal feet
- » Available in black PU only
- » Minor assembly required
- » Suitable for indoor use only
- » 2 year warranty
- » Weight limit is 120kg

✗ Do not use as a step ladder

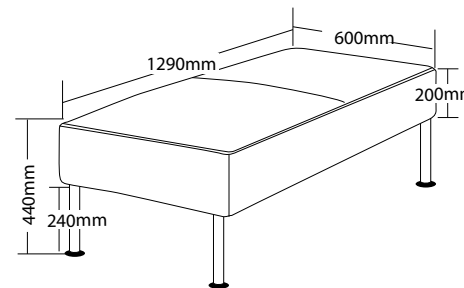
INDOOR USE ONLY



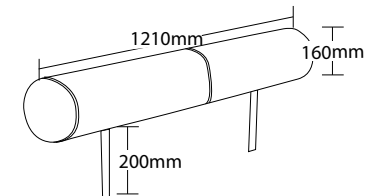
Keep a permanent contact between base of chair and floor



TECHNO-1



TECHNO-2



TECHNO-B

TECHNO BREAKOUT SEATING



TECHNO-1



TECHNO-2



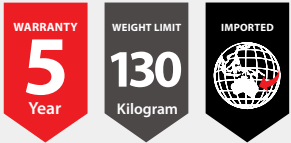
TECHNO-B



GROUP

R7 BREAKOUT SEATING

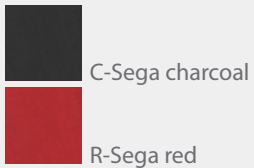
LORI



FEATURES

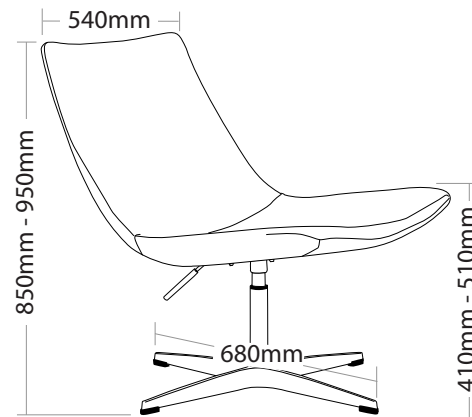
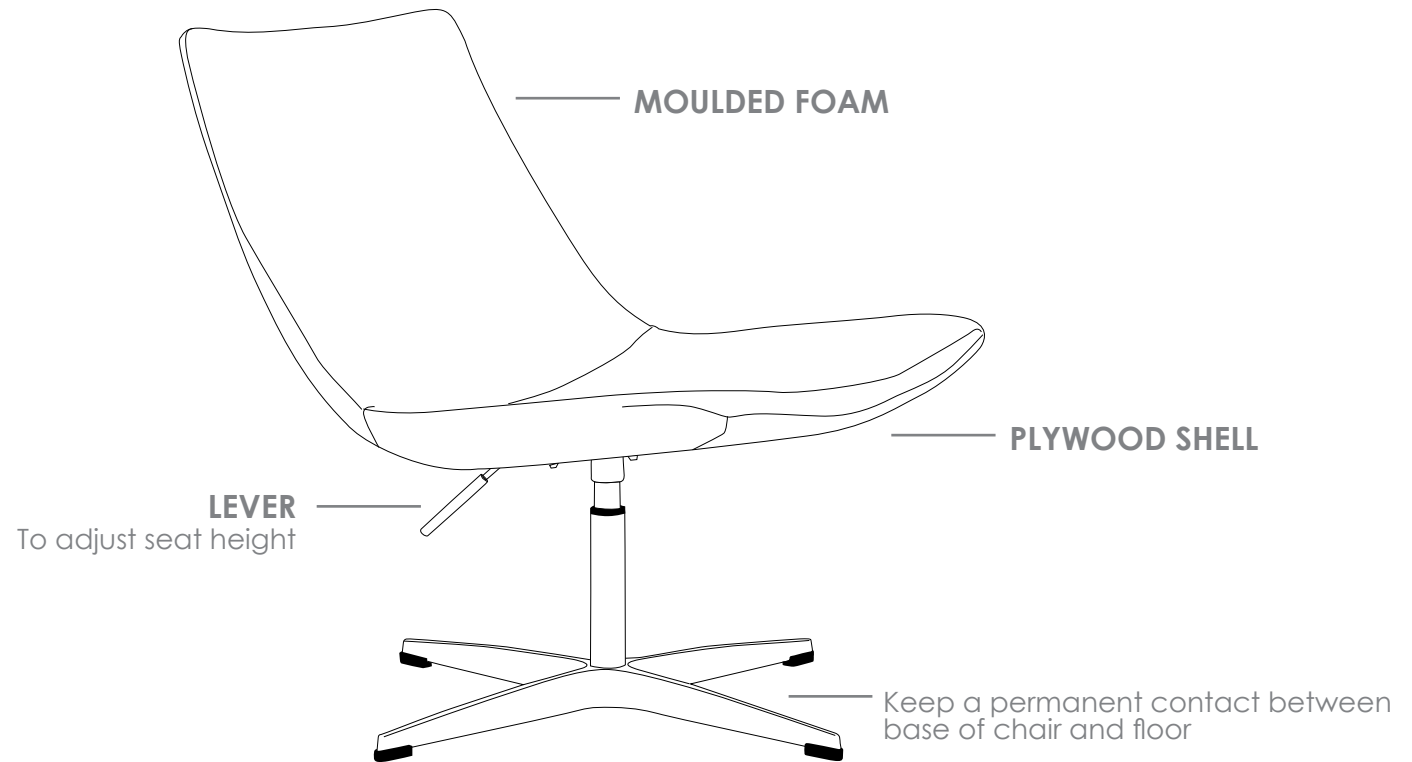
- » Moulded foam
- » Solid rod base chrome frame
- » Plywood shell
- » Available in Sega charcoal and red only
- » Minor assembly required
- » Suitable for indoor use only
- » 5 year warranty
- » Weight limit is 130kg

COLOUR



INDOOR USE ONLY

✗ Do not use as a step ladder



LORI

LORI BREAKOUT SEATING



LORI-C



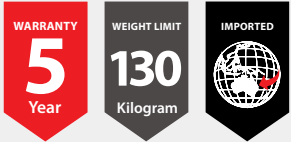
LORI-R



BACKVIEW

R7 BREAKOUT SEATING

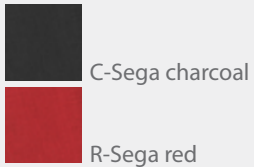
OSCAR



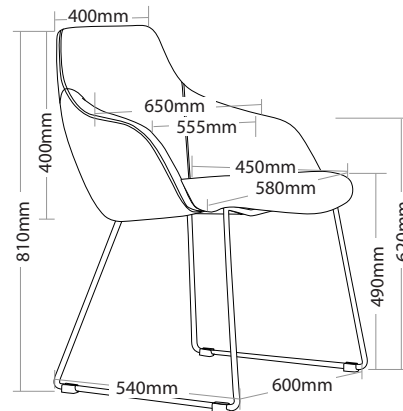
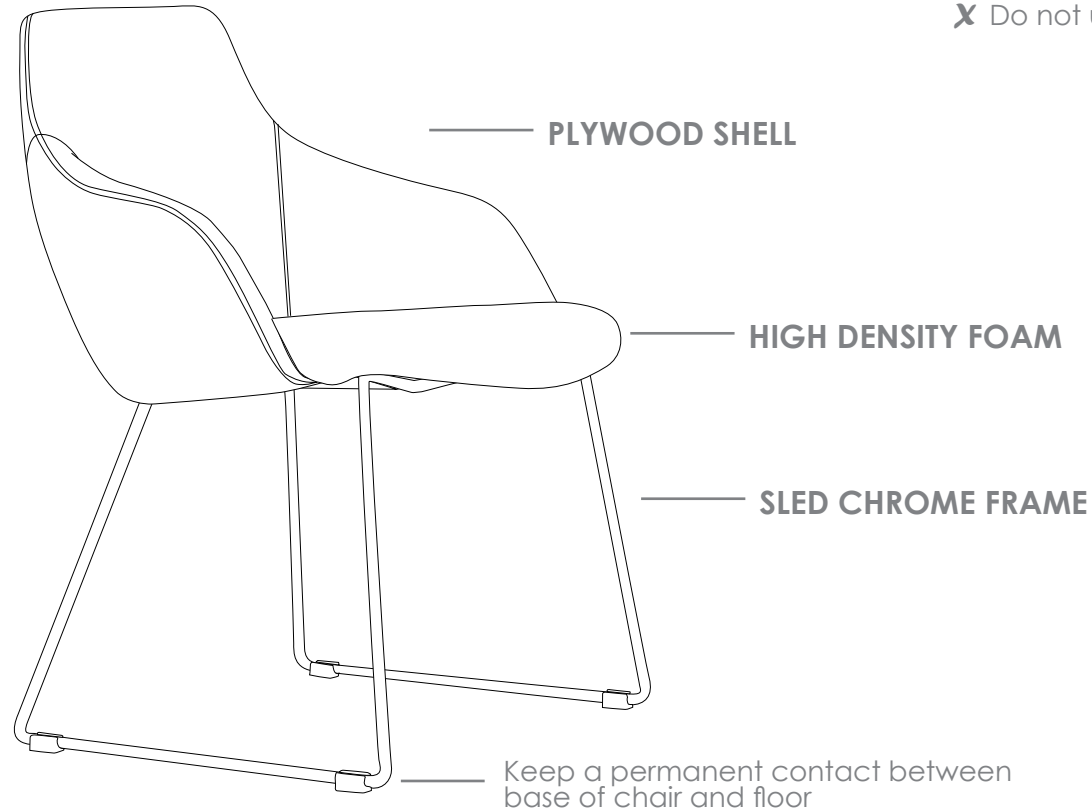
FEATURES

- » High density foam
- » Sled base chrome frame
- » Plywood shell
- » Available in Sega charcoal and red only
- » Minor assembly required
- » Suitable for indoor use only
- » 5 year warranty
- » Weight limit is 130kg

COLOUR



INDOOR USE ONLY



OSCAR

OSCAR BREAKOUT SEATING



OSCAR-C



OSCAR-R



BACK VIEW

R8 SOFT SEATING

ORION

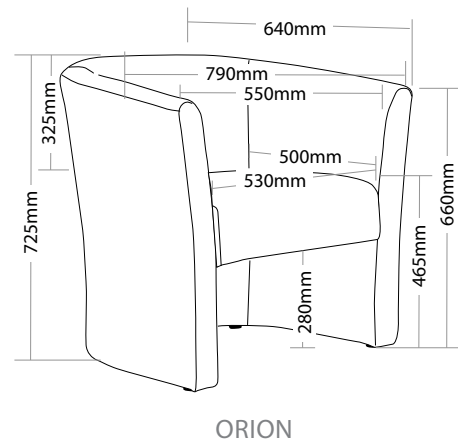
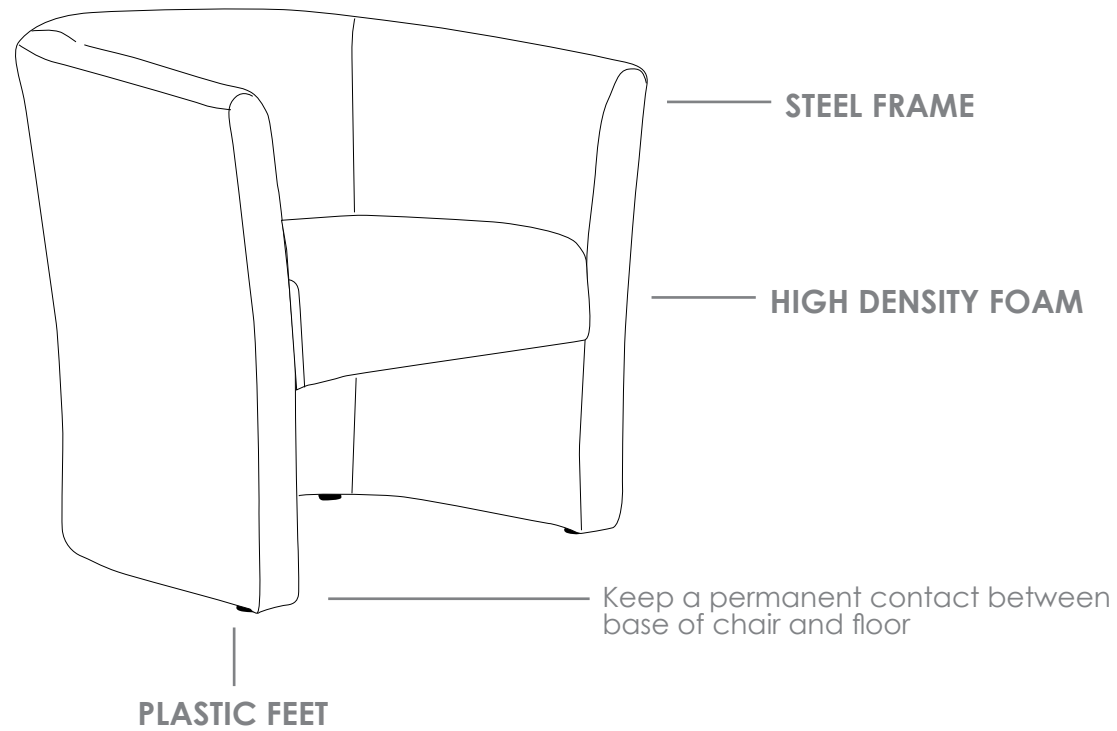


FEATURES

- » High density foam
- » Steel frame
- » Plastic feet
- » Available in black PU only
- » Minor assembly required
- » Suitable for indoor use only
- » 3 year warranty
- » Weight limit is 120kg

INDOOR USE ONLY

✗ Do not use as a step ladder



ORION SOFT SEATING



ORION

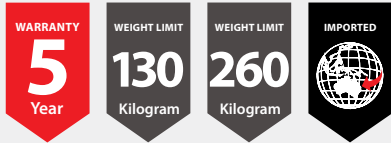


FRONT VIEW



BACK VIEW

RIVET

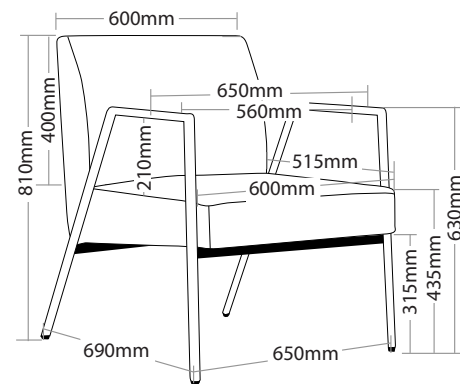
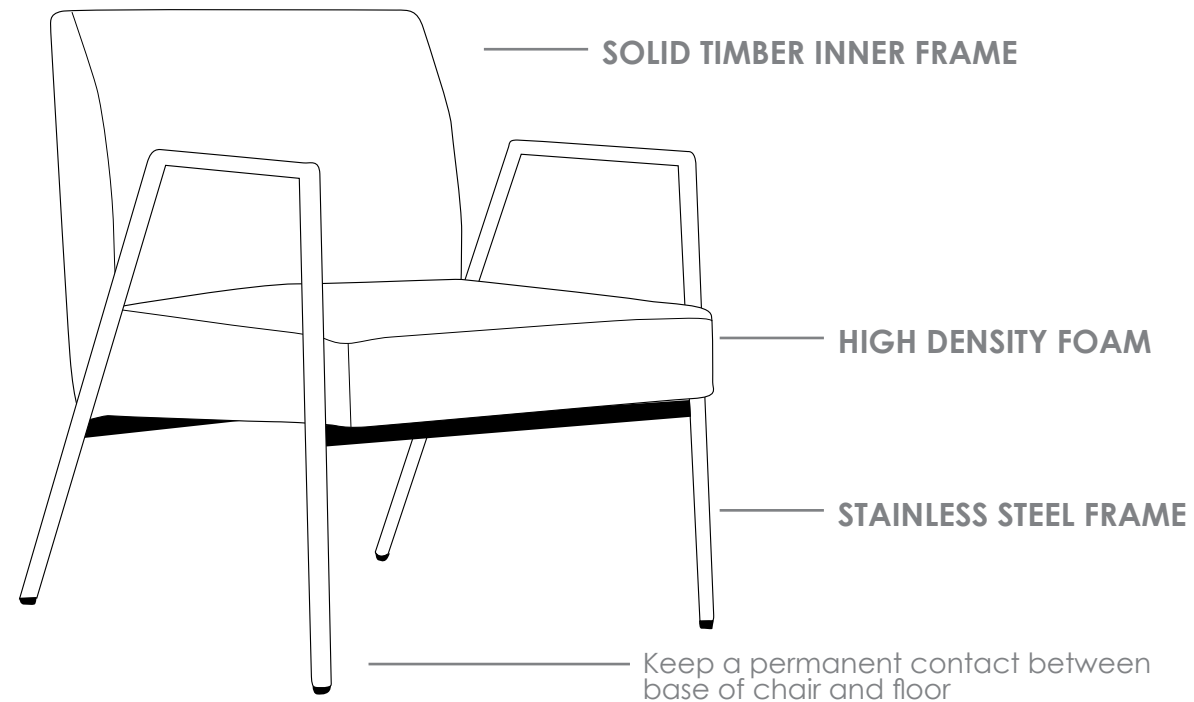


FEATURES

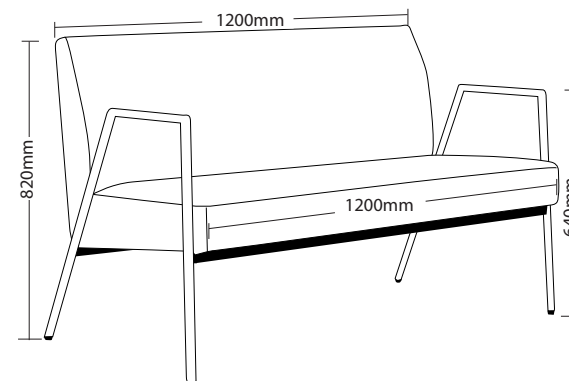
- » Optional 1 or 2 seater
- » High density foam
- » Stainless steel frame
- » Solid timber inner frame
- » Available in black PU only
- » Minor assembly required
- » Suitable for indoor use only
- » 5 year structural warranty
- » Weight limit for 1 seater is 130kg
- » Weight limit for 2 seater is 260kg

INDOOR USE ONLY

✗ Do not use as a step ladder



RIVET-1



RIVET-2

RIVET SOFT SEATING



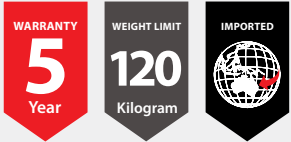
RIVET-1



RIVET-2

R8 SOFT SEATING

BLITZ

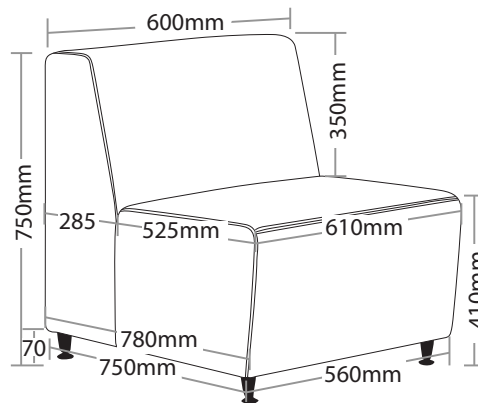
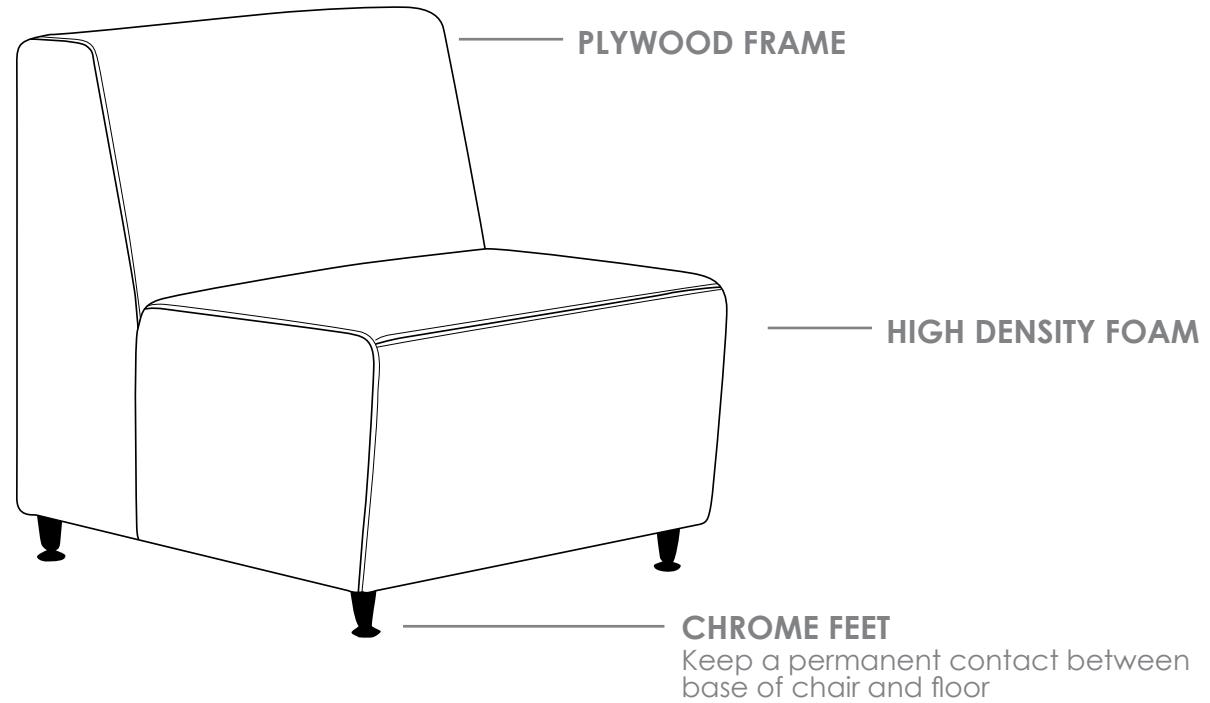


FEATURES

- » High density foam
- » Zig zag steel spring
- » Plywood frame
- » Chrome feet
- » Available in black PU
- » Minor assembly required
- » Suitable for indoor use only
- » 5 year warranty
- » Weight limit is 120kg

INDOOR USE ONLY

✗ Do not use as a step ladder



BLITZ-B

BLITZ SOFT SEATING



BLITZ-B



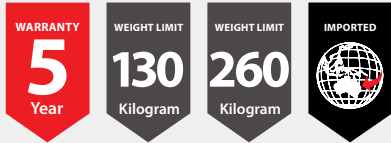
BACK VIEW



SIDE VIEW

R8 SOFT SEATING

JADEN

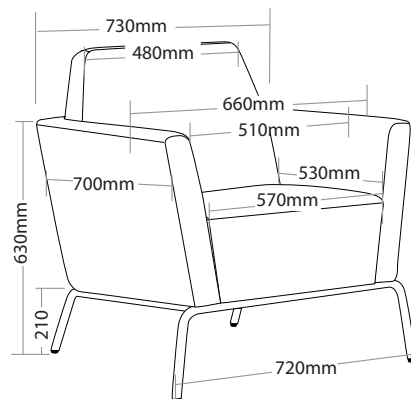
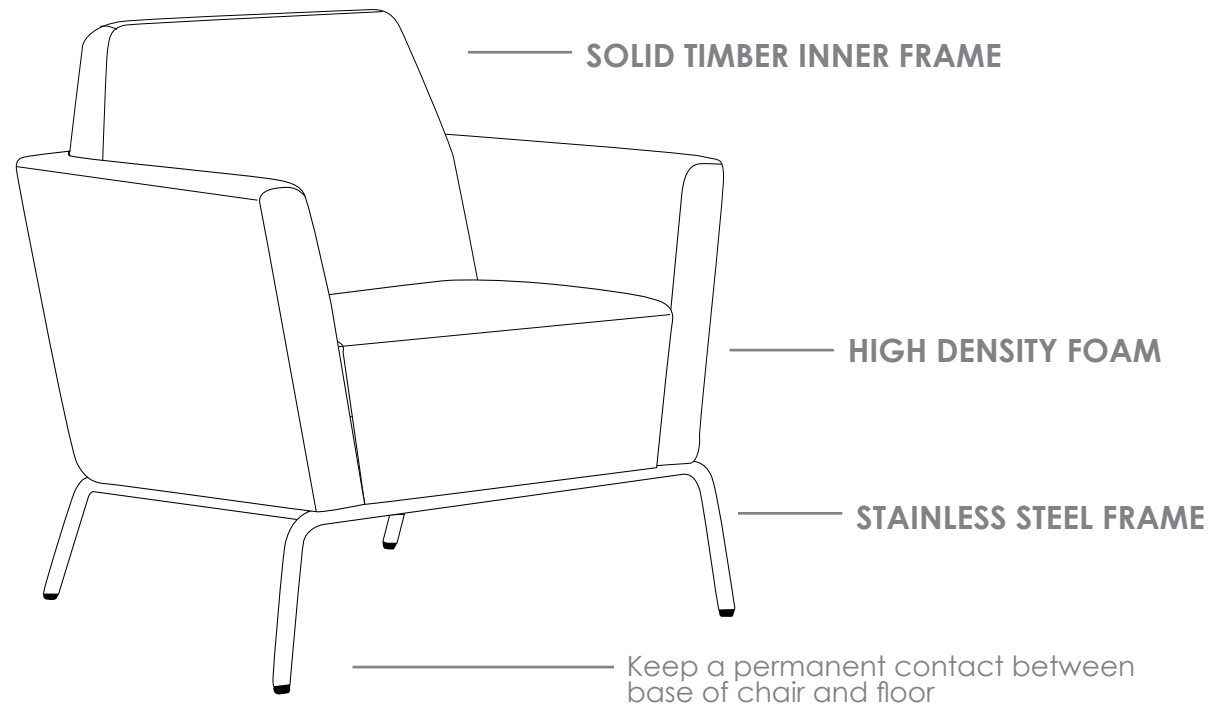


FEATURES

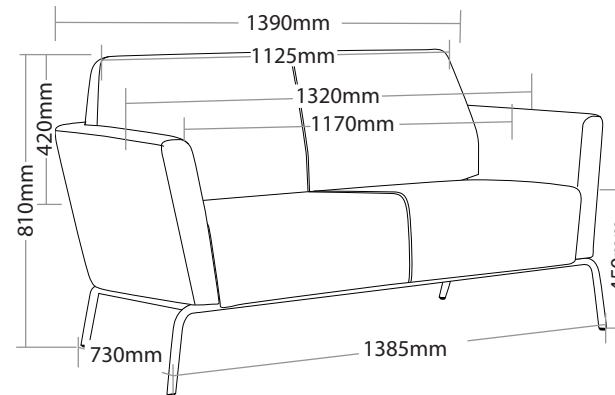
- » Optional 1 or 2 seater
- » High density foam
- » Stainless steel frame
- » Solid timber inner frame
- » Available in black PU only
- » Minor assembly required
- » Suitable for indoor use only
- » 5 year structural warranty
- » Weight limit for 1 seater is 130kg
- » Weight limit for 2 seater is 260kg

INDOOR USE ONLY

✘ Do not use as a step ladder



JADEN-1



JADEN-2

JADEN SOFT SEATING



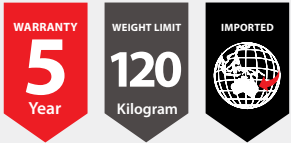
JADEN-1



JADEN-2

R8 SOFT SEATING

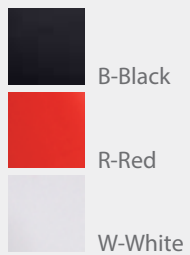
RUBY



FEATURES

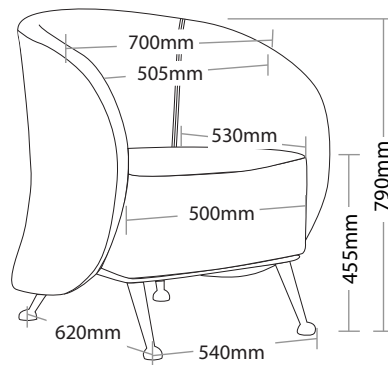
- » Steel frame
- » Stainless steel legs
- » Suitable for indoor use only
- » Available in black, red and white PU only
- » Minor assembly required
- » Suitable for indoor use only
- » 5 year warranty
- » Weight limit is 120kg

COLOUR



INDOOR USE ONLY

✗ Do not use as a step ladder



RUBY

RUBY SOFT SEATING



RUBY-B



RUBY-R



RUBY-W

R8 SOFT SEATING

ROXA

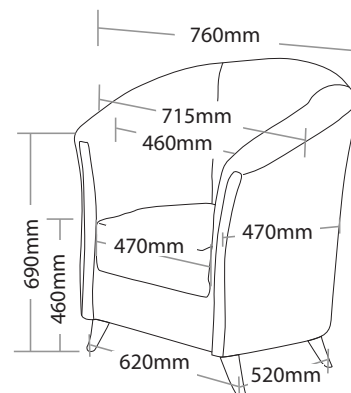
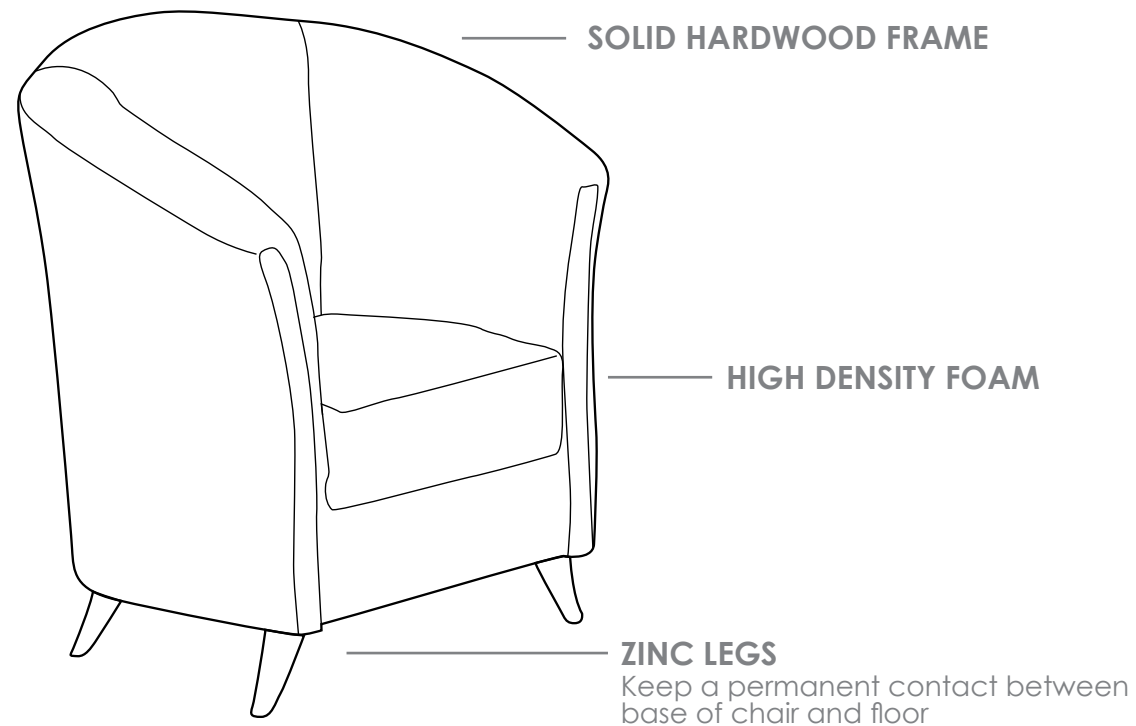


FEATURES

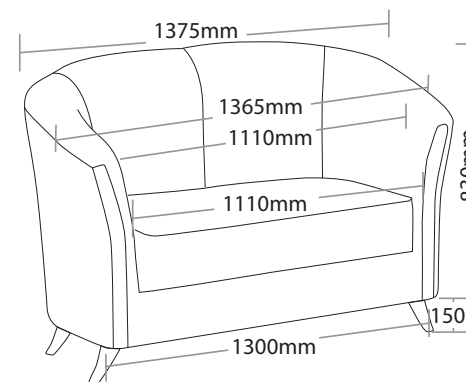
- » Optional 1 or 2 seater
- » High density foam
- » Solid hardwood frame
- » Zinc legs
- » Available in black PU only
- » Minor assembly required
- » Suitable for indoor use only
- » 5 year warranty
- » Weight limit for 1 seater is 130kg
- » Weight limit for 2 seater is 260kg

INDOOR USE ONLY

✗ Do not use as a step ladder



ROXA-1



ROXA-2

ROXA SOFT SEATING



ROXA-PU1



ROXA-PU2

R8 SOFT SEATING

PLAZA

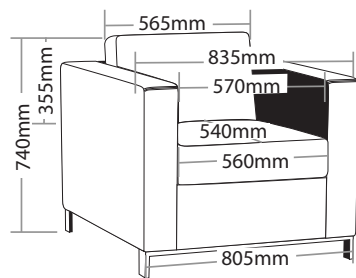
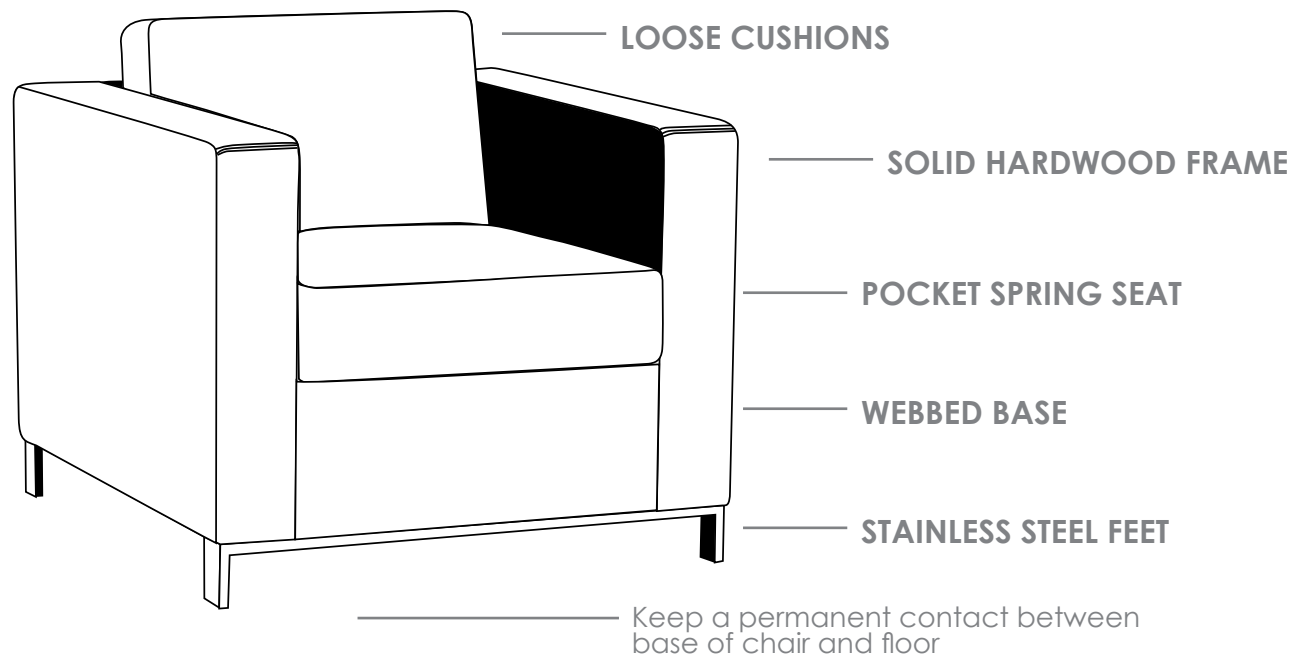


FEATURES

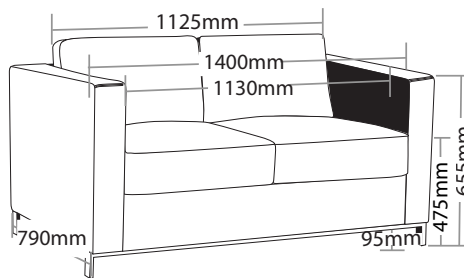
- » Optional 1, 2 or 3 seater
- » Pocket spring seat
- » Loose cushions upholstered both sides
- » Zig zag steel spring
- » Webbed base
- » Solid hardwood frame
- » Stainless steel feet
- » Available in black PU only
- » Minor assembly required
- » Suitable for indoor use only
- » 5 year warranty
- » Weight limit for 1 seater is 130kg
- » Weight limit for 2 seater is 260kg
- » Weight limit for 3 seater is 390kg

INDOOR USE ONLY

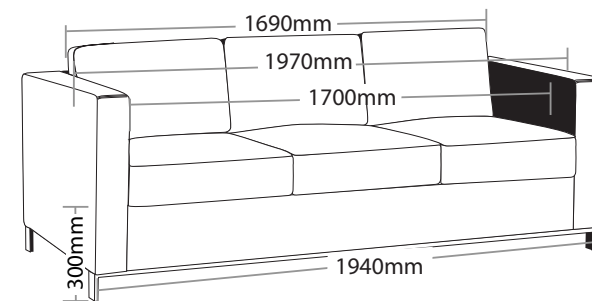
✗ Do not use as a step ladder



PL-1S



PL-2S



PL-3S

PLAZA SOFT SEATING



PL-1S



PL-2S



PL-3S

R9 INDUSTRIAL STOOLS

CAD

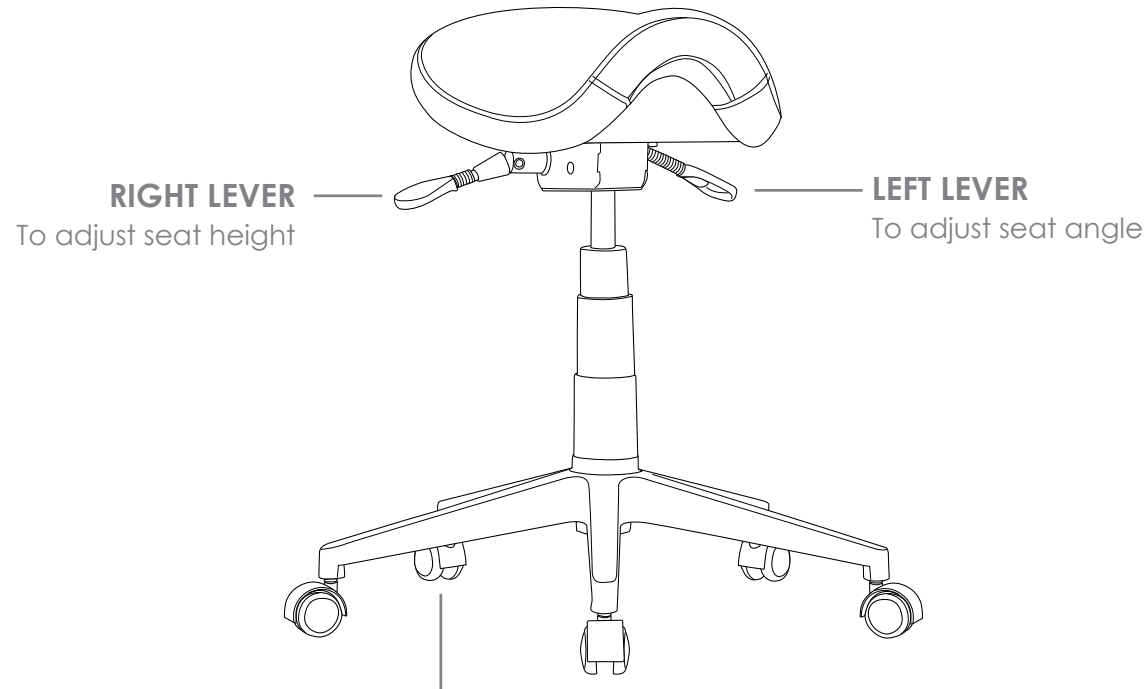


FEATURES

- » Adjustable seat height
- » Adjustable seat angle
- » Optional drafting kit
- » Optional glides or brake castors
- » Saddle seat
- » Nylon castors
- » 640mm black nylon base
- » Available in black PU only
- » Minor assembly required
- » Suitable for indoor use only
- » 5 year warranty
- » Weight limit is 120kg

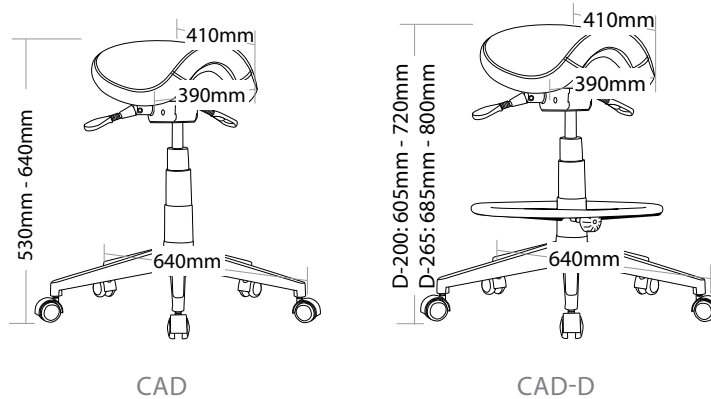
INDOOR USE ONLY

X Do not use as a step ladder



640MM BLACK NYLON 5 STAR BASE WITH CASTORS

Use soft tyred castors for tiles
Use hard tyred castors for carpet



CAD INDUSTRIAL STOOL



CAD



CAD-D



BACK VIEW

STAGE

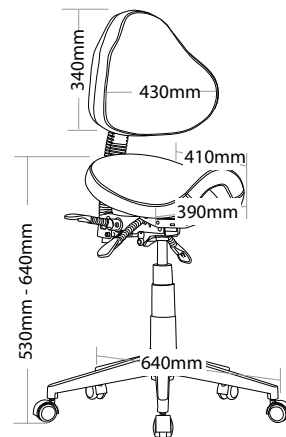
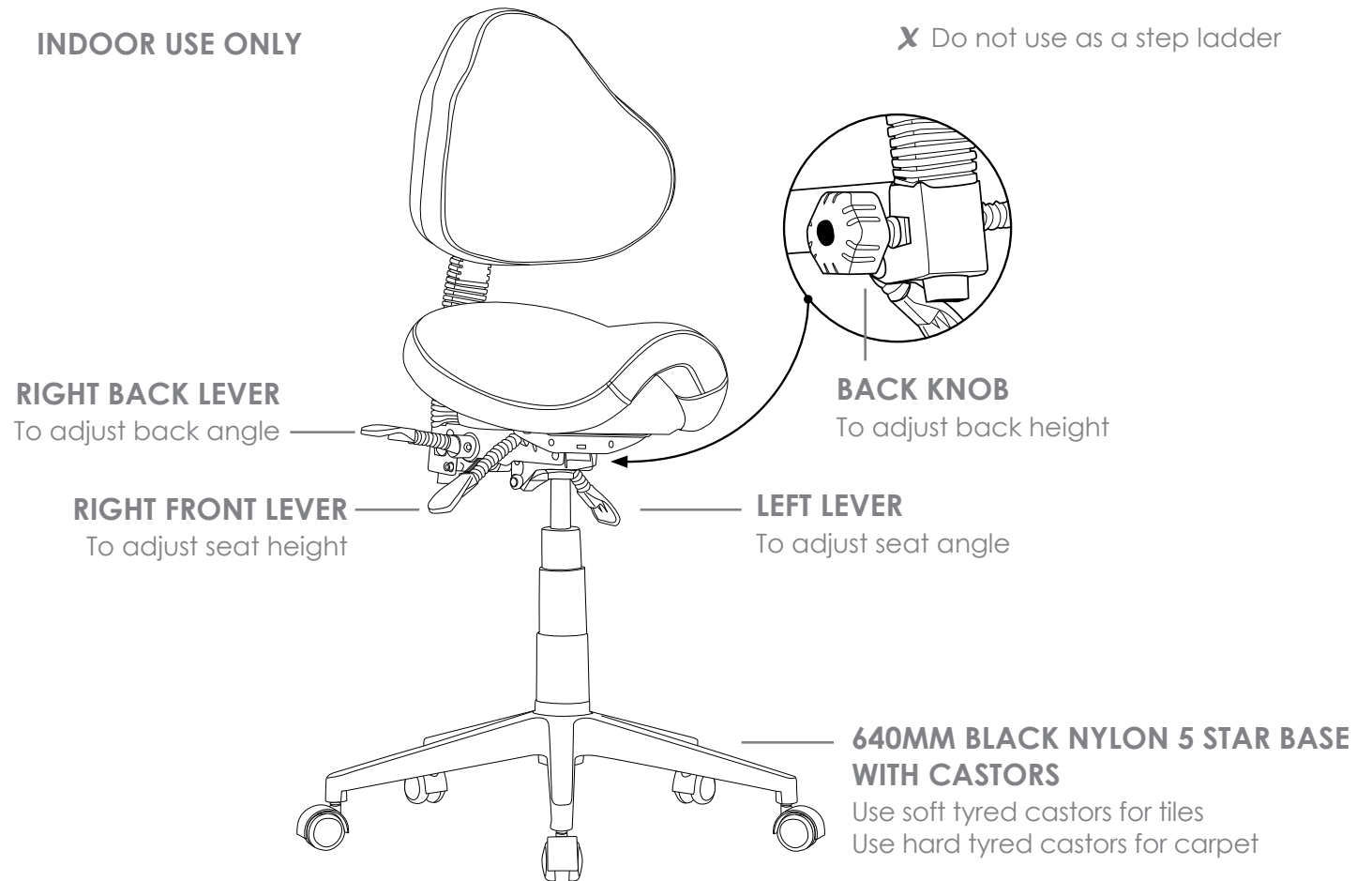


FEATURES

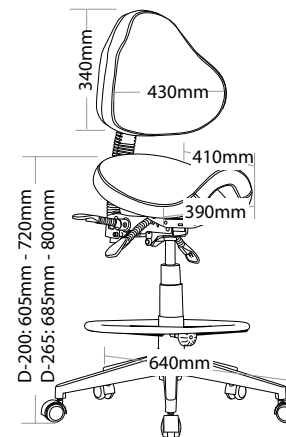
- » Adjustable seat height
- » Adjustable back height
- » Adjustable seat and back angle
- » Optional drafting kit
- » Optional glides or brake castors
- » Saddle seat
- » 640mm black nylon base
- » Available in black PU only
- » Minor assembly required
- » Suitable for indoor use only
- » 5 year warranty
- » Weight limit is 120kg

INDOOR USE ONLY

X Do not use as a step ladder



STAGE



STAGE-D

STAGE INDUSTRIAL STOOL



STAGE



STAGE-D



BACK VIEW

SIREN

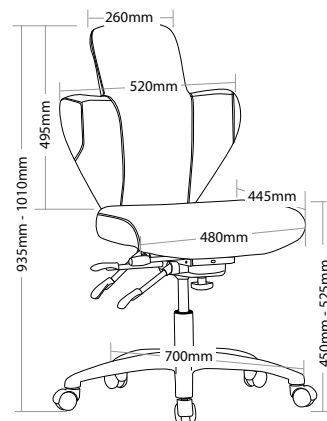
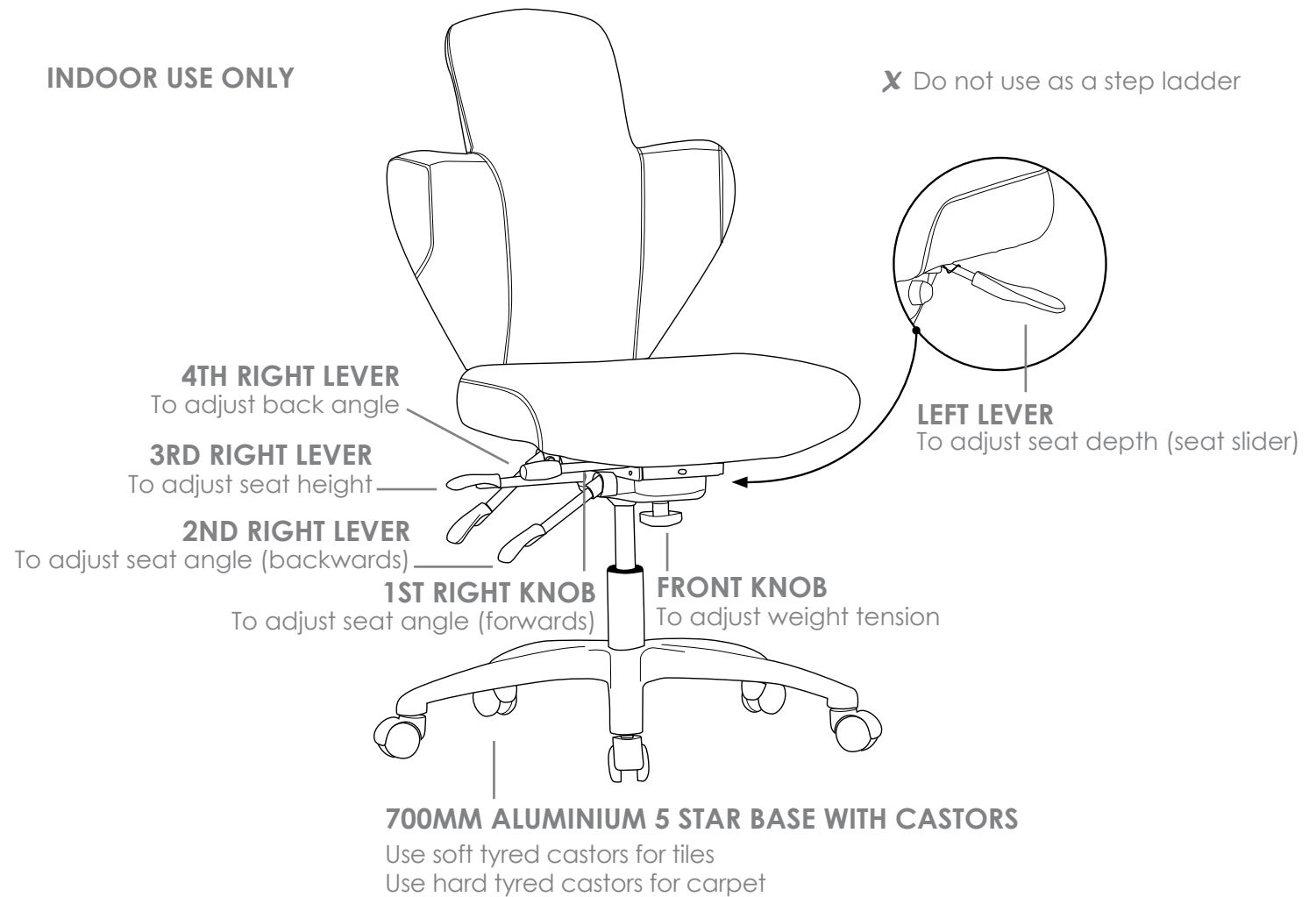


FEATURES

- » Adjustable seat height
- » Adjustable seat and back angle
- » Adjustable seat depth (seat slider)
- » Adjustable weight tension
- » 700mm aluminium base
- » Available in black PU only
- » Minor assembly required
- » Suitable for indoor use only
- » 5 year warranty
- » Weight limit is 120kg

INDOOR USE ONLY

X Do not use as a step ladder



SIREN

SIREN INDUSTRIAL STOOL



SIREN



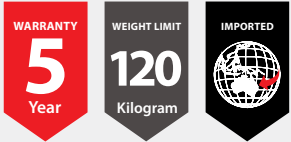
BACK VIEW



SIDE VIEW

R9 INDUSTRIAL STOOLS

STATE

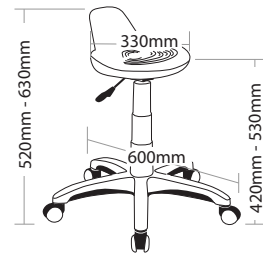
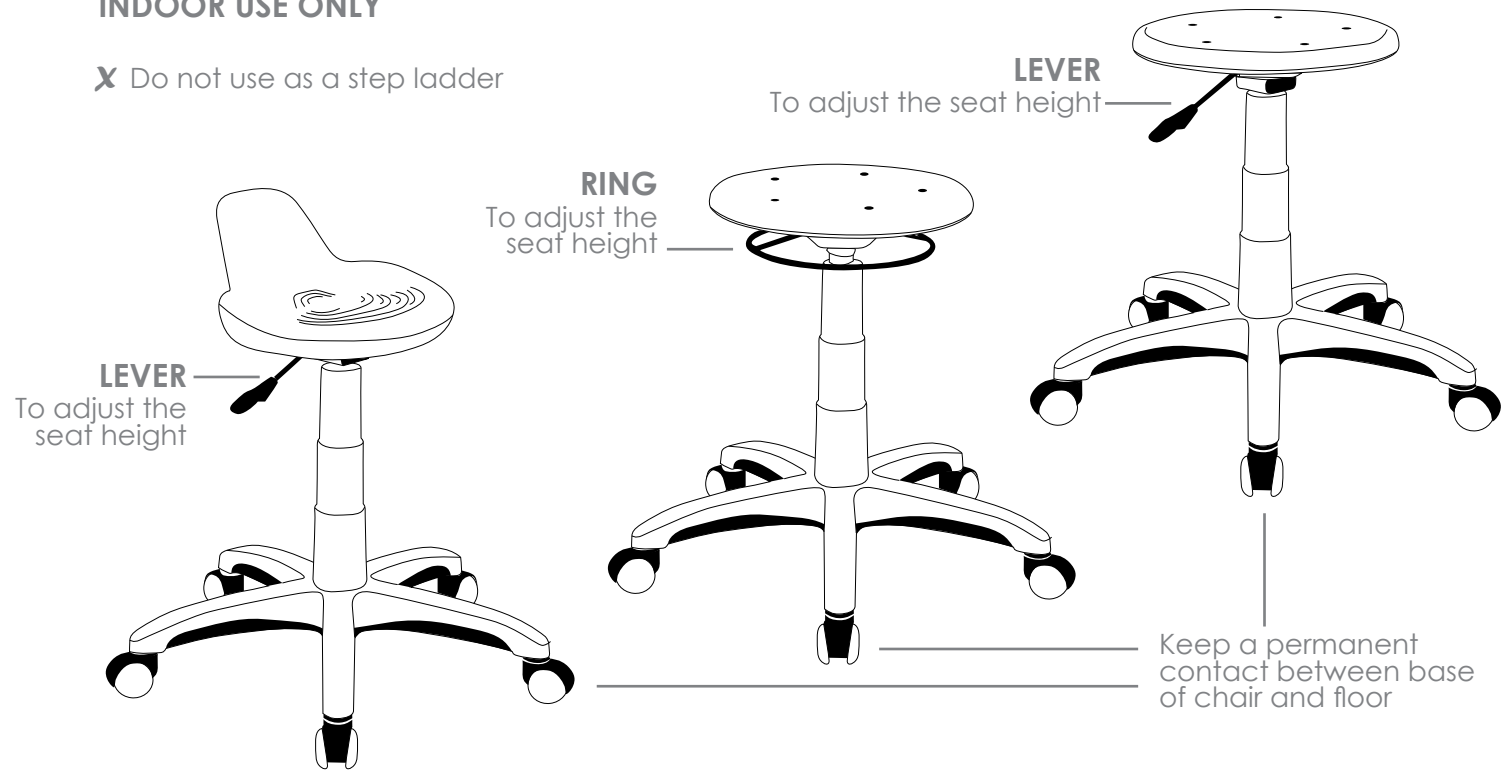


FEATURES

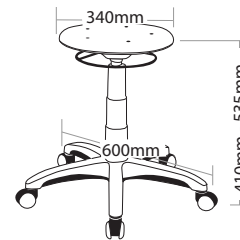
- » Adjustable seat height
- » Optional drafting kit
- » Optional glides or brake castors
- » 600mm black nylon base
- » Available in black only
- » Minor assembly required
- » Suitable for indoor use only
- » 5 year warranty
- » Weight limit is 120kg

INDOOR USE ONLY

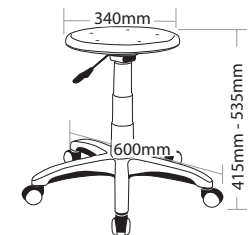
X Do not use as a step ladder



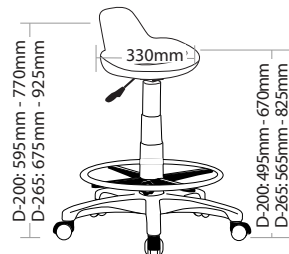
ST001



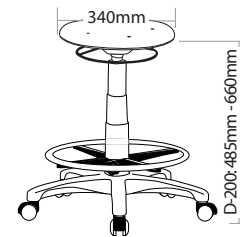
ST005



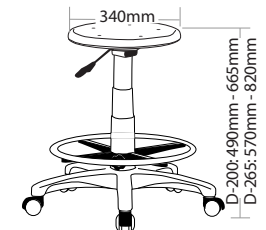
ST008



ST001D



ST005D



ST008D

STATE INDUSTRIAL STOOL



ST001



ST005



ST008



ST001D



ST005D



ST008D

STATE

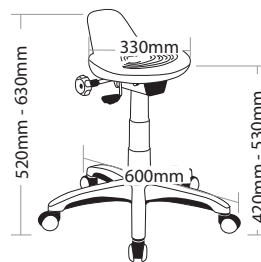
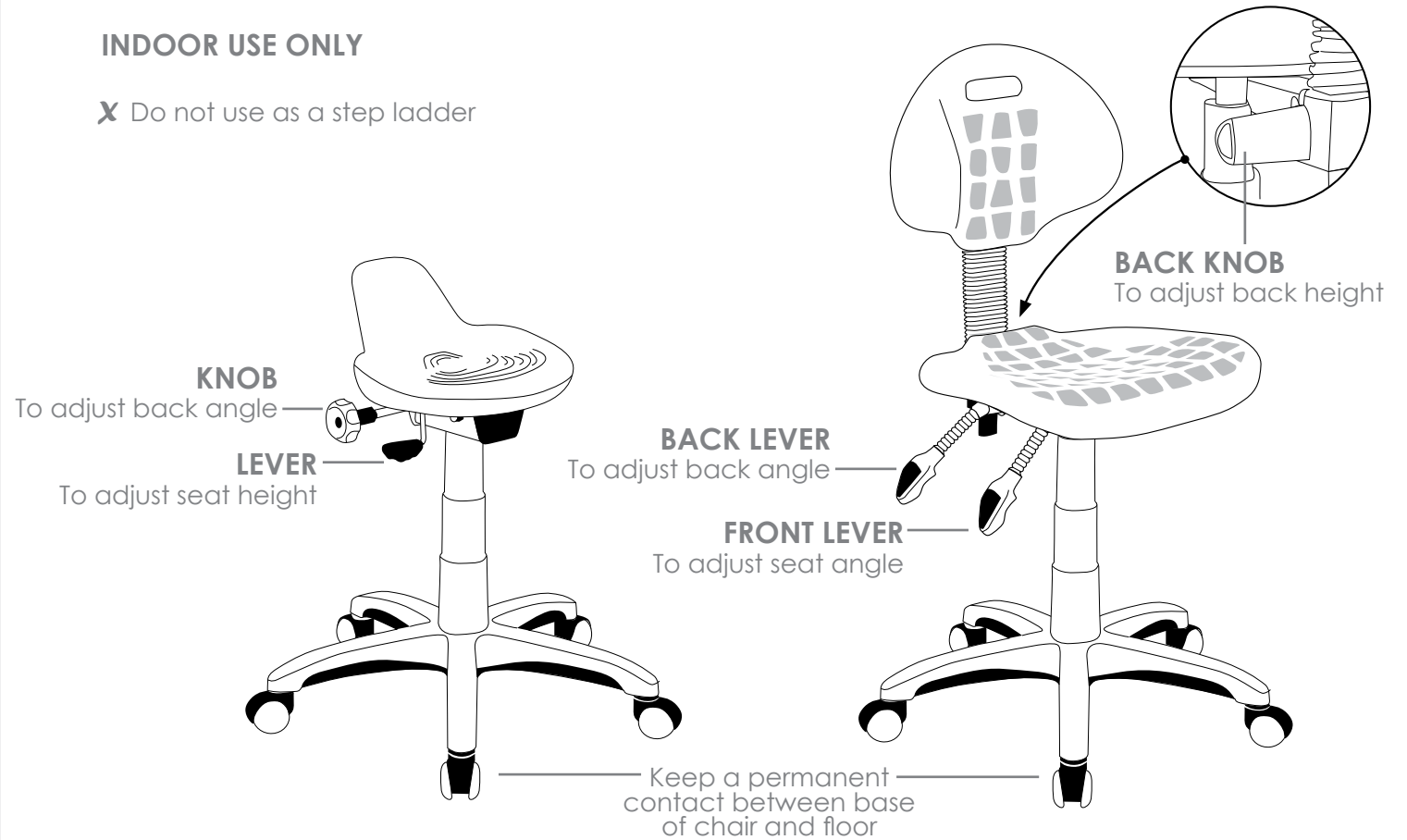


FEATURES

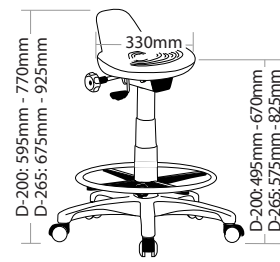
- » Adjustable seat height
- » Adjustable back height (ST007 only)
- » Adjustable seat angle (ST007 only)
- » Optional drafting kit
- » Optional glides or brake castors
- » 600mm black nylon base
- » Available in black only
- » Minor assembly required
- » Suitable for indoor use only
- » 5 year warranty
- » Weight limit is 120kg

INDOOR USE ONLY

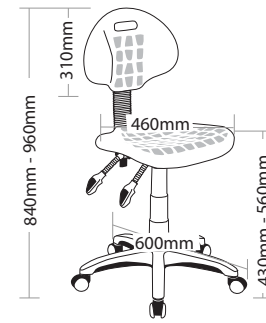
X Do not use as a step ladder



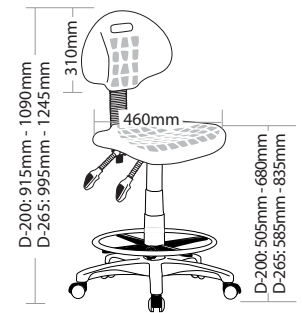
ST006



ST006D



ST007



ST007D

STATE INDUSTRIAL STOOL



ST006



ST006D



ST007



ST007D

R10 ADJUSTABLE TABLES

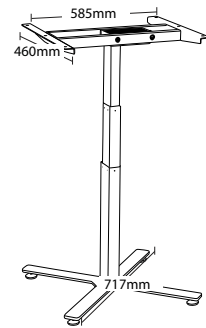
ERGO LIFT



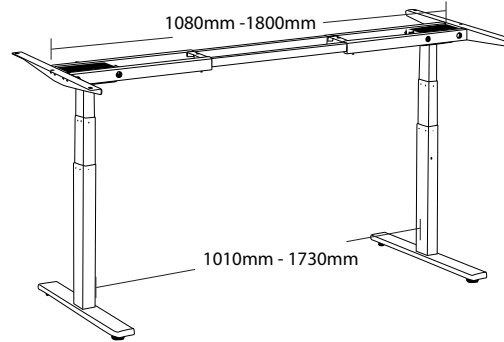
FEATURES

- » Adjustable height
- » Adjustable frame width
- » Adjustable feet
- » Optional with return (left or right)
- » Optional 120 degree angle
- » Optional single leg
- » Heavy duty frame
- » Easy to use also has an anti collision sensor
- » White powder coating only
- » AFRDI approved
- » Minor assembly required
- » Suitable for indoor use only
- » 7 year warranty
- » Weight limit is 160kg

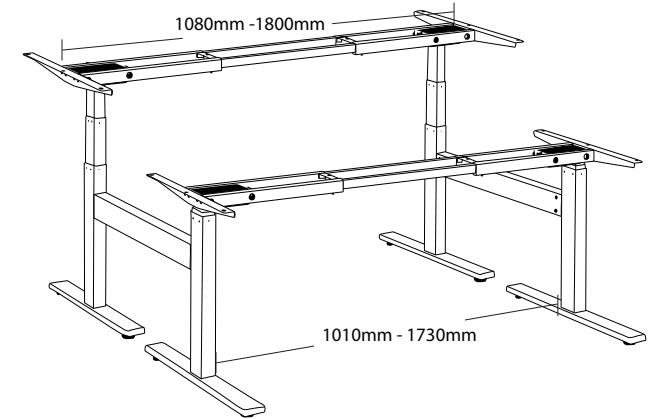
INSTRUCTIONS BOOKLET COMES WITH PACKAGE



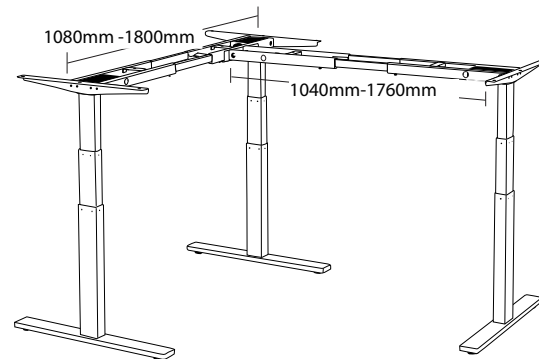
EL-TABLE



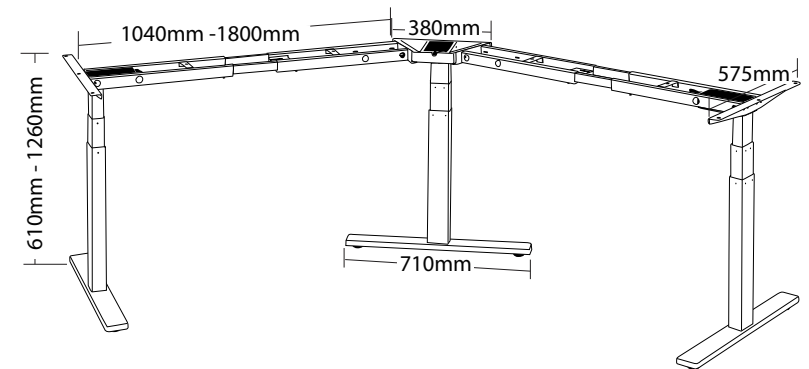
EL-DESK



EL-DD



EL-DR



EL-D120

ERGO LIFT ADJUSTABLE TABLES



EL-C2



EL-C3



EL-SWITCH



EL-TABLE



EL-DESK



EL-D120



EL-DRL



EL-DRR



EL-DD

STYLE[®] XPRESS

Seating On Demand

is a division of Style Ergonomics Australia Pty Ltd

Style Xpress is a division of Style Ergonomics Australia Pty Ltd, all products offered under this new marketing entity will be stocked in all three Style warehouses (NSW, VIC, QLD). The Style Xpress range will include products from the current core range and also new ranges that Style had developed to suit our local market.

The Style Xpress range will be delivered to dealer warehouses in Metro areas in each city and to transport companies within 2-4 working days, customers will have the option of assembled or boxed at no charge. Naturally, this focus on an express Style range is designed with the intention to cater to your time sensitive clients and those products are available for express delivery on demand. A drop ship programme will also be introduced, details will be sent separately.

The Style Xpress brand will have a printed brochure, printed price list, electronic copies, electronic marketing materials, an online brochure and a dedicated web site (www.stylexpress.com.au).

Processing of orders, correspondence and invoicing will remain the same as always, through Style Ergonomics Australia Pty Ltd. Style Xpress is purely a marketing entity.

STYLE ERGONOMICS AUSTRALIA PTY LTD

NSW | VIC | QLD | HONG KONG | CHINA

NSW BRANCH

A: 83-85 Percival Road, Smithfield 2164



VIC BRANCH

A: 21-23 Edison Rd, Dandenong South 3175



QLD BRANCH

A: 3 Aliciajay Circuit, Luscombe 4207



T: 1300 735 574

F: + 612 9757 1848

W: www.stylexpress.com.au

E: sales@styleergonomics.com.au

ABN 66 081 497 850

ACN 081 497 850